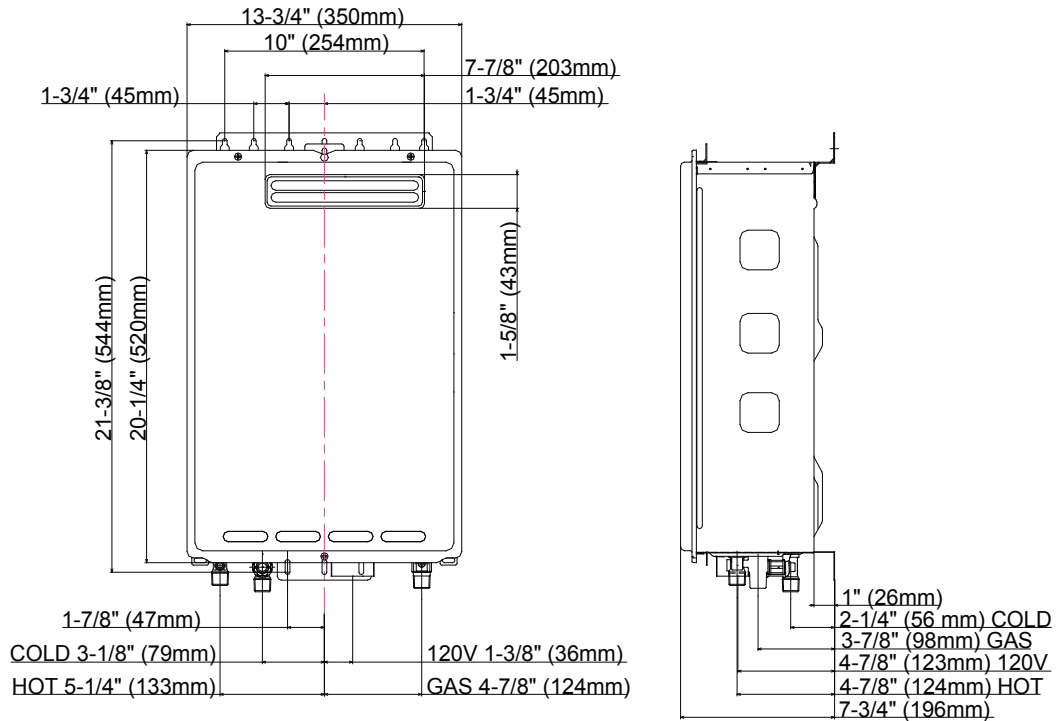


# T-KJr2-OS



Dimension	H20.3" x W13.8" x D6.7" Weight: 33 lbs
Hot/Cold/Gas Connection	3/4" NPT
Clearances	Top: 36" Bottom: 12" Front: 24" Back: 1" Sides: 2 "

## Features

- Fully modulating, gas fired, tankless water heater
- Outdoor installation only
- Safety Features:
  - Air-Fuel Ratio (AFR) sensor
  - Exhaust & Water Temperature Safety Control
  - Overheat Cutoff Fuse
- Internal Freeze-Protection System
- Manual reset high limit switch
- Temperature Remote Controller included (TK-RE02)

## Venting & Combustion

- No Venting Required
- Electric Ignition

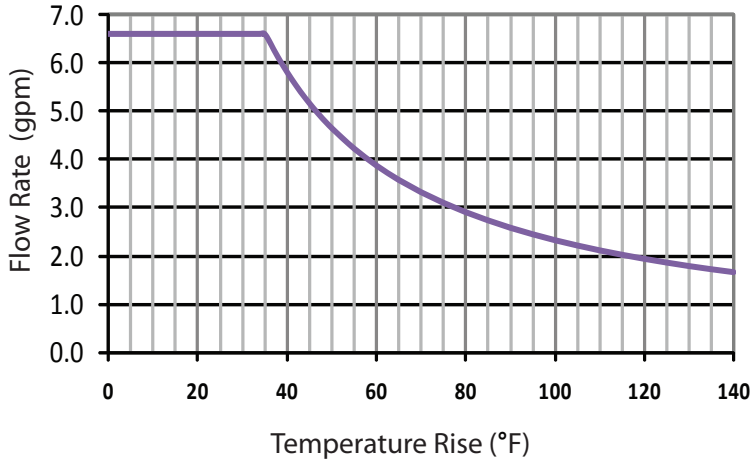
## Accessories

- TK-PCJr2 Pipe Cover
- TK-RB02 Recess Box

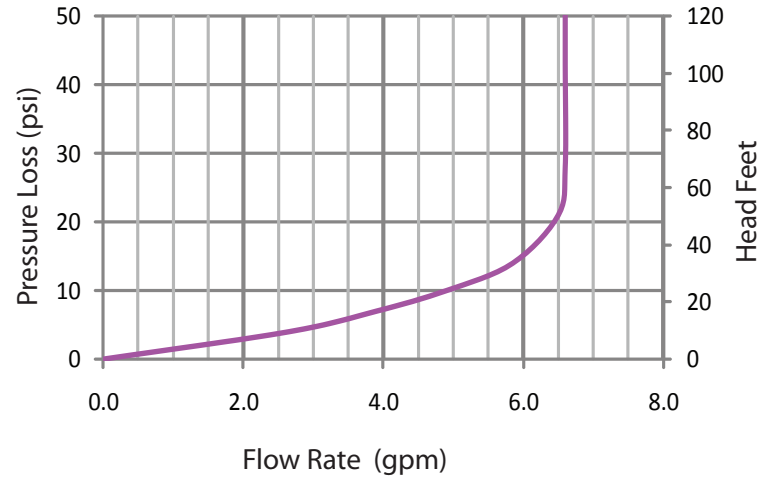
# T-KJr2-OS



**Flow Rate vs. Temperature Rise**



**Pressure Loss**



<b>Installation Type</b>	Outdoor Only	
<b>Electric Consumption</b>	120 VAC ; Standby: 0.05 A, Operation: 0.61 A, Freeze-Protection: 0.93 A	
<b>Fuel</b>	NG	LP
<b>Gas Consumption Input</b>	Min 19,500 BTU/h Max 140,000 BTU/h	Min 19,500 BTU/h Max 140,000 BTU/h
<b>Energy Factor</b>	0.82	0.82
<b>Inlet Gas Pressure</b>	Min 5.0" W.C. Max 10.5" W.C.	Min 8.0" W.C. Max 14.0" W.C.
<b>Flow Rate</b>	Max 6.6 GPM	
<b>Water Pressure</b>	15-150 psi	Pressure Only Relief Valve Required (Min 200,000 BTUs. 150 psi) 40 psi or above recommended for maximum Flow
<b>Temperature Settings</b>	Without Remote (Dipswitch Setting) With TK-RE02 Temperature Remote Controller : 99°F to 167°F, 122°F Default Factory Setting	113°F, 122°F (Default), 131°F, and 140°F 99°F, 100°F, 102°F, 104°F, 106°F, 108°F, 109°F, 111°F, 113°F, 115°F, 117°F, 122°F (Default), 131°F, 140°F, 158°F, and 167°F

The manufacturer reserves the right to change or discontinue the design, drawing and/or specification of its products without notice at any time.