



Ruud Achiever® Series Air Conditioners



RA14 Series

Efficiencies up to 16 SEER/13 EER

Nominal Sizes 1½ to 5 Ton [5.28 to 17.6 kW]

Cooling Capacities 17.3 to 60.5 kBTU
[5.7 to 17.7 kW]



“Proper sizing and installation of equipment is critical to achieve optimal performance. Split system air conditioners and heat pumps must be matched with appropriate coil components to meet Energy Star. Ask your Contractor for details or visit www.energystar.gov.”

- New composite base pan – dampens sound, captures louver panels, eliminates corrosion and reduces number of fasteners needed
- Powder coat paint system – for a long lasting professional finish
- Scroll compressor – uses 70% fewer moving parts for higher efficiency and increased reliability
- Modern cabinet aesthetics – increased curb appeal with visually appealing design
- Curved louver panels – provide ultimate coil protection, enhance cabinet strength, and increased cabinet rigidity
- Optimized fan orifice – optimizes airflow and reduces unit sound
- Rust resistant screws – confirmed through 1500-hour salt spray testing
- PlusOne™ **Expanded Valve Space** – 3"-4"-5" service valve space – provides a minimum working area of 27-square inches for easier access
- PlusOne™ **Triple Service Access** – 15" wide, industry leading corner service access – makes repairs easier and faster. The two fastener removable corner allows optimal access to internal unit components. Individual louver panels come out once fastener is removed, for faster coil cleaning and easier cabinet reassembly
- Diagnostic service window with two-fastener opening – provides access to the high and low pressure.
- External gauge port access – allows easy connection of “low-loss” gauge ports
- Single-row condenser coil – makes unit lighter and allows thorough coil cleaning to maintain “out of the box” performance
- 35% fewer cabinet fasteners and fastener-free base – allow for faster access to internal components and hassle-free panel removal
- Service trays – hold fasteners or caps during service calls
- QR code – provides technical information on demand for faster service calls
- Fan motor harness with extra long wires allows unit top to be removed without disconnecting fan wire.

TABLE OF CONTENTS

Standard Feature	3
Available SKUs	3
Features & Benefits	4-5
Model Number Identification	6-7
General Data/Electrical Data	8
Accessories	9
Weighted Sound Power	9
Thermostats.....	9
Unit Dimensions.....	10
Clearances.....	11
Wiring Diagrams	12
Application Guidelines	12
Refrigerant Line Size Information	13-14
Performance Data	15-53
Guide Specifications	54
Limited Warranty	55

Standard Feature Table

Feature	STANDARD FEATURES						
	18	24	30	36	42	48	60
R-410a Refrigerant	√	√	√	√	√	√	√
Maximum SEER	16	16	16	16	16	15.5	15
Maximum EER	13	13	13	13	13	13	12.5
Scroll Compressor	√	√	√	√	√	√	√
Field Installed Filter Drier	√	√	√	√	√	√	√
Front Seating Service Valves	√	√	√	√	√	√	√
Internal Pressure Relief Valve	√	√	√	√	√	√	√
Internal Thermal Overload	√	√	√	√	√	√	√
Long Line capability	√	√	√	√	√	√	√
Low Ambient capability with Kit	√	√	√	√	√	√	√
3-4-5 Expanded Valve Space	√	√	√	√	√	√	√
Composite Basepan	√	√	√	√	√	√	√
2 Screw Control Box Access	√	√	√	√	√	√	√
15" Access to Internal Components	√	√	√	√	√	√	√
Quick release louver panel design	√	√	√	√	√	√	√
No fasteners to remove along bottom	√	√	√	√	√	√	√
Optimized Venturi Airflow	√	√	√	√	√	√	√
Single row condenser coil	√	√	√	√	√	√	√
Powder coated paint	√	√	√	√	√	√	√
Rust resistant screws	√	√	√	√	√	√	√
QR code	√	√	√	√	√	√	√
External gauge ports	√	√	√	√	√	√	√
Service trays	√	√	√	√	√	√	√

√ = Standard

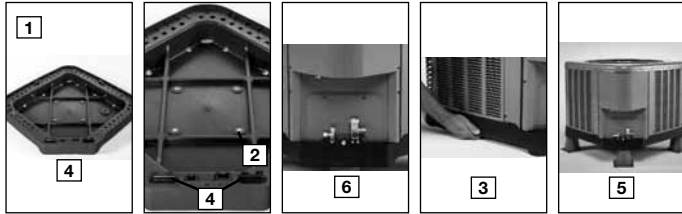
Available SKUs

Available Models	Description
RA1418AJ1NA	Achiever® Series 1 1/2 ton 14 SEER Single-Stage Air Conditioner-208/230/1/60
RA1424AJ1NA	Achiever® Series 2 ton 14 SEER Single-Stage Air Conditioner-208/230/1/60
RA1430AJ1NA	Achiever® Series 2 1/2 ton 14 SEER Single-Stage Air Conditioner-208/230/1/60
RA1436AJ1NA	Achiever® Series 3 ton 14 SEER Single-Stage Air Conditioner-208/230/1/60
RA1442AJ1NA	Achiever® Series 3 1/2 ton 14 SEER Single-Stage Air Conditioner-208/230/1/60
RA1448AJ1NA	Achiever® Series 4 ton 14 SEER Single-Stage Air Conditioner-208/230/1/60
RA1460AJ1NA	Achiever® Series 5 ton 14 SEER Single-Stage Air Conditioner-208/230/1/60
RA1418AJ1NB	Achiever® Series 1 1/2 ton 14 SEER Single-Stage Air Conditioner w/ High/Low Pressure-208/230/1/60
RA1424AJ1NB	Achiever® Series 2 ton 14 SEER Single-Stage Air Conditioner w/ High/Low Pressure-208/230/1/60
RA1430AJ1NB	Achiever® Series 2 1/2 ton 14 SEER Single-Stage Air Conditioner w/ High/Low Pressure-208/230/1/60
RA1436AJ1NB	Achiever® Series 3 ton 14 SEER Single-Stage Air Conditioner w/ High/Low Pressure-208/230/1/60
RA1442AJ1NB	Achiever® Series 3 1/2 ton 14 SEER Single-Stage Air Conditioner w/ High/Low Pressure-208/230/1/60
RA1448AJ1NB	Achiever® Series 4 ton 14 SEER Single-Stage Air Conditioner w/ High/Low Pressure-208/230/1/60
RA1460AJ1NB	Achiever® Series 5 ton 14 SEER Single-Stage Air Conditioner w/ High/Low Pressure-208/230/1/60
RA1436AC1NB	Achiever® Series 3 ton 14 SEER Single-Stage Air Conditioner w/ High/Low Pressure-208/230/3/60
RA1442AC1NB	Achiever® Series 3 1/2 ton 14 SEER Single-Stage Air Conditioner w/ High/Low Pressure-208/230/3/60
RA1448AC1NB	Achiever® Series 4 ton 14 SEER Single-Stage Air Conditioner w/ High/Low Pressure-208/230/3/60
RA1460AC1NB	Achiever® Series 5 ton 14 SEER Single-Stage Air Conditioner w/ High/Low Pressure-208/230/3/60
RA1436AD1NB	Achiever® Series 3 ton 14 SEER Single-Stage Air Conditioner w/ High/Low Pressure-460/3/60
RA1442AD1NB	Achiever® Series 3 1/2 ton 14 SEER Single-Stage Air Conditioner w/ High/Low Pressure-460/3/60
RA1448AD1NB	Achiever® Series 4 ton 14 SEER Single-Stage Air Conditioner w/ High/Low Pressure-460/3/60
RA1460AD1NB	Achiever® Series 5 ton 14 SEER Single-Stage Air Conditioner w/ High/Low Pressure-460/3/60

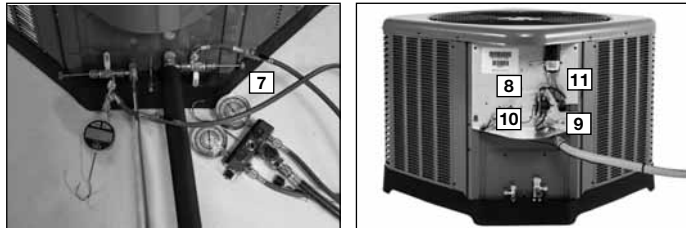
Introduction to RA14 Air Conditioner

The RA14 is our 14 SEER air conditioner and is part of the Ruud air conditioner product line that extends from 13 to 20 SEER. This highly featured and reliable air conditioner is designed for years of reliable, efficient operation when matched with Ruud indoor aluminum evaporator coils and furnaces or air handler units with aluminum evaporators.

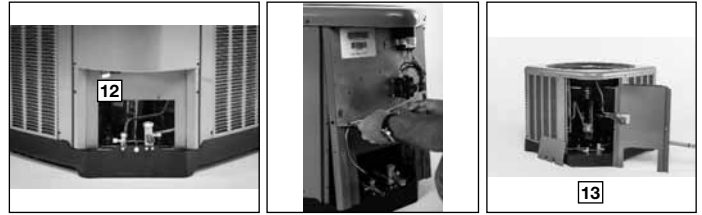
Our unique composite base (1) reduces sound emission, eliminates rattles, significantly reduces fasteners, eliminates corrosion and has integrated brass compressor attachment inserts (2). Furthermore it has incorporated into the design, water management features, means for hand placement (3) for unit maneuvering, screw trays (4) and inserts for lifting off unit pad. (5)



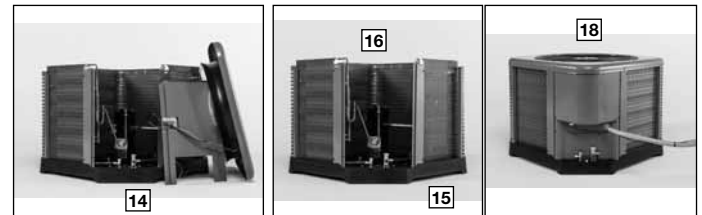
Service Valves (6) are rigidly mounted in the composite base with 3" between suction and discharge valves, 4" clearance below service valves and a minimum of 5" above the service valves, creating industry leading installation ease. The minimum 27 square-inches around the service valves allows ample room to remove service valve schrader prior to brazing, plenty of clearance for easy brazing of the suction and discharge lines to service valve outlets, easy access and hookup of low loss refrigerant gauges (7), and access to the service valve caps for opening. For applications with long-line lengths up to 250 feet total equivalent length, up to 200 feet condenser above evaporator, or up to 80 feet evaporator above condenser, the long-line instructions in the installation manual should be followed.



Controls are accessed from the corner of the unit by removing only two fasteners from the control access cover, revealing the industry's largest 15" wide and 14" tall control area (8). With all this room in the control area the high voltage electrical whip (9) can easily be inserted through the right size opening in the bottom of the control area. Routing it leads directly to contractor lugs for connection. The low voltage control wires (10) are easily connected to units low voltage wiring. If contactor or capacitor (11) needs to be replaced there is more than adequate space to make the repair. Furthermore, if high pressure and low pressure model was not purchased but is desired to be installed in the field, the service window (12) can be removed by removing two screws, to access the high and low side schrader fittings for easy field installation. The entire corner can be removed providing ultimate access to install the high and low pressure switch. (13)



If in the rare event, greater access is needed to internal components, such as the compressor, the entire corner of the unit can be removed along with the top cover assembly to have unprecedented access to interior of the unit (14). Extra wire length is incorporated into each outdoor fan and compressor so top cover and control panel can be positioned next to the unit. With minimal effort the plug can be removed from the compressor and the outdoor fan wires can be removed from the capacitor to allow even more uncluttered access to the interior of the unit (15). Outdoor coil heights range from as short as 22" to 32", aiding access to the compressor. Disassembly to this degree and complete reassembly only takes a first time service technician less than 10 minutes. (15)



All units utilize strong formed louver panels which provide industry leading coil protection. Louver removal for coil cleaning is accomplished by removing one screw and lifting the panel out of the composite base pan. (17) All RA14 units utilize single row coils (18) making cleaning easy and complete, restoring the performance of the air conditioner back to out of the box performance levels year after year.



The outdoor fan motor has sleeve bearings and is inherently protected. The motor is totally enclosed for maximum protection from weather, dust and corrosion. Access to the outdoor fan is made by removing four fasteners from the fan grille. The outdoor fan can be removed from the fan grille by removing 4 fasteners in the rare case outdoor fan motor fails.

Each cabinet has optimized composite (19) fan orifice assuring efficient and quiet airflow.



The entire cabinet has powder post paint (20) achieving 1000 hour salt spray rating, allowing the cabinet to retain its aesthetics throughout its life.



Scroll compressors with standard internal pressure relief and internal thermal overload are used on all capacities assuring longevity of high efficient and quiet operation for the life of the product.

Each unit is shipped with filter drier for field installation and will trap any moisture or dirt that could contaminate the refrigerant system.



All cabinets have industry leading structural strength due to the composite base pan (21), interlocking corner post (22), formed curved louver panels (23) and drawn top cover (24) making it the most durable cabinet on the market today.

Each RA14 capacity has undergone rigorous psychometric testing to assure performance ratings of capacity, SEER and EER per AHRI Standard 210/240 rating conditions. Also each unit bears the UL mark and each unit is certified to UL 1995 safety standards.



Each unit has undergone specific strain and modal testing to assure tubing (25) is outside the units natural frequency and that the suction and discharge lines connected to the compressor withstand any starting, steady state operation or shut down forces imposed by the compressor.

All units have been sound tested in sound chamber to AHRI 270 rating conditions, and A-weighted Sound Power Level tables produced, assuring units have acceptable noise qualities (see page 8). Each unit has been ran in cooling operation at 95°F and 82°F and sound ratings for the RA14 range from as low as 74 dBA to 77 dBA.

All units have been ship tested to assure units meet stringent “over the road” shipping conditions.

As manufactured all units in the RA14 family have cooling capability to 55 °F. Addition of low ambient control will allow the unit to operate down to 0°F. Factory testing is performed on each unit. All component parts meet well defined specification and continually go through receiving inspections. Each component installed on a unit is scanned, assuring correct component utilization for a given unit capacity and voltage. All condenser coils are leak tested with pressurization test to 550#’s and once installed and assembled, each units’ complete refrigerant system is helium leak tested. All units are fully charged from the factory for up to 15 feet of piping. All units are factory run tested. The RA14 has a 10-year conditional compressor and parts warranty (registration required).

Optional Accessories

(Refer to accessory chart for model #)

Compressor Crankcase Heater

Protects against refrigerant migration that can occur during low ambient operation

Compressor Sound Cover

- Reinforced vinyl compressor cover containing a 1½ inch thick batt of fiberglass insulation
- Open edges are sealed with a one-inch wide hook and loop fastening tape

Compressor Hard Start Kit

- Single-phase units are equipped with a PSC compressor motor, this type of motor normally does not need a potential relay and start capacitor
- Kit may be required to increase the compressor starting torque, in conditions such as low voltage

Low Ambient Kit

- Air conditioners operate satisfactorily in the cooling mode down to 55°F outdoor air temperature without any additional controls
- This Kit can be added in the field enabling unit to operate properly down to 0° in the cooling mode
- Crankcase heater and freezestat should be installed on compressors equipped with a low ambient kit

3"/6"/12"

- Gray high density polyethylene feet are available to raise unit off of mounting surface away from moisture

Low Pressure

- Can be added in field enabling the unit to shut off compressor on loss of charge

NOTE: Unit can be purchased with high and low pressure installed at factory. (Refer to SKU list)

High Pressure

- Can be added in field enabling unit to shut off compressor if unit loses outdoor fan operation.

NOTE: Unit can be purchased with high and low pressure installed at factory. (Refer to SKU list)

Decorative Top

- Can be installed on fan grille

Air Conditioners

R	A	14	24	A	J	1	N	A	*
Brand	Product Category	SEER	Capacity BTU/HR	Major Series*	Voltage	Type	Controls	Minor Series**	Option Code
Ruud	A - Air Conditioners	13 - 13 SEER 14 - 14 SEER 16 - 16 SEER 17 - 17 SEER 20 - 20 SEER	18 - 18,000 [5.28 kW] 24 - 24,000 [7.03 kW] 30 - 30,000 [8.79 kW] 36 - 36,000 [10.55 kW] 42 - 42,000 [12.31 kW] 48 - 48,000 [14.07 kW] 60 - 60,000 [17.58 kW]	A - 1st Design	J - 1ph, 208-230/60 C - 3ph, 208-230/60 D - 3ph, 460/60	1 - Single-stage 2 - Two-stage V - Inverter	C - Communicating N - Non-Communicating	A - 1st Design	N/A

Heat Pumps (For Reference)

R	A	14	24	A	J	1	N	A	*
Brand	Product Category	SEER	Capacity BTU/HR	Major Series*	Voltage	Type	Controls	Minor Series**	Option Code
Ruud	P - Heat Pump	13 - 13 SEER 14 - 14 SEER 16 - 16 SEER 17 - 17 SEER 20 - 20 SEER	18 - 18,000 [5.28 kW] 24 - 24,000 [7.03 kW] 30 - 30,000 [8.79 kW] 36 - 36,000 [10.55 kW] 42 - 42,000 [12.31 kW] 48 - 48,000 [14.07 kW] 60 - 60,000 [17.58 kW]	A - 1st Design	J - 1ph, 208-230/60 C - 3ph, 208-230/60 D - 3ph, 460/60	1 - Single-stage 2 - Two-stage V - Inverter P - Piston	C - Communicating N - Non-Communicating	A - 1st Design	N/A

Furnace Coils (For Reference)

R	C	F	24	17	S	I	A	M	C	A	*
Brand	Product Category	Type	Capacity BTU/HR	Width	Efficiency	Metering Device	Major Series*	Orientation	Casing	Minor Series**	Option Code
Ruud	C - Evap Coil	F - Furn Coil H - Air-Handler Coil	24 - 24,000 [7.03 kW] 36 - 36,000 [10.55 kW] 48 - 48,000 [14.07 kW] 60 - 60,000 [17.58 kW]	14 - 14" 17 - 17.5" 21 - 21" 24 - 24.5"	S - Standard Eff. M - Mid Eff. H - High Eff.	T-TXV E-EEV P-Piston	A - 1st Design	M - Multipoise V - Vertical only/ convertible H - Ded. Horizontal only	C - Cased U - Uncased	A - 1st Design	N/A

[] Designates Metric Conversions

90%+ AFUE Gas Furnaces (For Reference)

<u>R</u>	<u>96</u>	<u>V</u>	<u>A</u>	<u>70</u>	<u>2</u>	<u>3</u>	<u>17</u>	<u>M</u>	<u>S</u>	<u>A</u>
Brand	Series	Motor	Major Rev	Input BTU/HR	Stages	Air Flow	Cabinet Width	Configuration	Nox	Minor Rev
Ruud	90 - 90 AFUE	V - Variable speed	A - 1st Design	040 - 42,000 [12.31 kW]	1 - Single-stage	3 - up to 3 ton	14 - 14"	M - Multi	X - Low Nox	A - 1st Design
	92 - 92 AFUE	T - Constant Torque (X-13)		060 - 56,000 [16.41 kW]	2 - Two-stage	5 - 3 1/2 up to 5 ton	17 - 17.5"		S - Standard	
	95 - 95 AFUE			070 - 70,000 [20.51 kW]	M - Modulating		21 - 21"			
	96 - 96 AFUE			085 - 84,000 [24.62 kW]			24 - 24.5"			
	97 - 97 AFUE	P - PSC		100 - 98,000 [28.72 kW]						
				115 - 112,000 [32.82 kW]						

80% AFUE Gas Furnaces (For Reference)

<u>R</u>	<u>80</u>	<u>2</u>	<u>V</u>	<u>075</u>	<u>3</u>	<u>17</u>	<u>M</u>	<u>S</u>	<u>A</u>	
Brand	Series	Stages	Motor	Major Rev	Input BTU/HR	Air Flow	Cabinet Width	Configuration	Nox	Minor Rev
Ruud	80 - 80+ AFUE	1 - Single-stage	V - Variable speed	A - 1st Design	050 - 50,000 [15 kW]	3 - up to 3 ton	14 - 14"	M - Multi	X - Low Nox	A - 1st Design
		2 - Two-stage	T - Constant Torque (X-13)		075 - 75,000 [22 kW]	4 - 2 1/2 to 4 ton	17 - 17.5"	D - Down	S - Standard	
			P - PSC premium		100 - 100,000 [29 kW]	5 - 3 1/2 up to 5 ton	21 - 21"	Z - Down & zero clearance		
			S - PSC standard		125 - 125,000 [37 kW]		24 - 24.5"			
					150 - 150,000 [44 kW]					

Air Handlers (For Reference)

<u>R</u>	<u>H</u>	<u>1</u>	<u>I</u>	<u>36</u>	<u>17</u>	<u>S</u>	<u>T</u>	<u>N</u>	<u>A</u>	<u>*</u>	
Brand	Product Category	Stages of Airflow	Motor Type	Capacity BTU/HR	Width	Coil Size	Metering Device	Controls	Voltage	Minor Series**	Factory Heat Option Code
Ruud	H - Air Handler	1 - Single-Stage	V - Variable Speed	24 - 24,000 [7.03 kW]	14 - 14"	S - Standard Eff.	T - TEV	C - Communicating	A - 1ph, 115/60	A - 1st Design	00 - no factory heat with option code
		2 - Two-Stage	Speed Torque	36 - 36,000 [10.55 kW]	17 - 17.5"	M - Mid Eff.	E - EEV	N - Non-comm	J - 1ph, 208-240/60		
		M - Modulating	Torque	48 - 48,000 [14.07 kW]	21 - 21"	H - High Eff.	P - Piston		D - 3ph, 480/60		
			P - PSC	60 - 60,000 [17.58 kW]	24 - 24.5"						

[] Designates Metric Conversions

Physical Data

PHYSICAL DATA							
Model No.	RA1418A	RA1424A	RA1430A	RA1436A	RA1442A	RA1448A	RA1460A
Nominal Tonnage	1.5	2.0	2.5	3.0	3.5	4.0	5.0
Valve Connections							
Liquid Line O.D. – in.	3/8	3/8	3/8	3/8	3/8	3/8	3/8
Suction Line O.D. – in.	3/4	3/4	3/4	3/4	7/8	7/8	7/8
Refrigerant (R410A) furnished oz. ¹	68	72	87	106	119	129	162
Compressor Type	Scroll						
Outdoor Coil							
Net face area – Outer Coil	9.1	11.1	12.2	14.8	16.2	18.8	21.5
Net face area – Inner Coil	—	—	—	—	—	—	—
Tube diameter – in.	3/8	3/8	3/8	3/8	3/8	3/8	3/8
Number of rows	1	1	1	1	1	1	1
Fins per inch	22	22	22	22	22	22	22
Outdoor Fan							
Diameter – in.	20	20	20	24	26	26	26
Number of blades	2	2	2	3	2	2	3
Motor hp	1/10	1/8	1/8	1/6	1/5	1/5	1/5
CFM	2225	2505	2605	3104	3955	4265	4139
RPM	1075	1075	1075	850	825	820	850
watts	130	163	142	173	240	236	255
Shipping weight – lbs.	143	148	158	178	214	228	244
Operating weight – lbs.	122	125	141	150	192	192	202

Electrical Data

Line Voltage Data (Volts-Phase-Hz)	208/230-1-60	208/230-1-60	208/230-1-60	208/230-1-60	208/230-1-60	208/230-1-60	208/230-1-60
Maximum overcurrent protection (amps) ²	20	25	25	30	40	45	50
Minimum circuit ampacity ³	13	15	17	19	24	26	31
Compressor							
Rated load amps	9.7	11.2	12.8	14.1	17.9	19.9	23.7
Locked rotor amps	48	60.8	64	77	112	109	152.5
Condenser Fan Motor							
Full load amps	0.6	0.7	0.7	0.6	1.2	1	1
Locked rotor amps	1.1	1.2	1.3	1.5	2.3	2.0	2.6
Line Voltage Data (Volts-Phase-Hz)	—	—	—	208/230-3-60	208/230-3-61	208/230-3-62	208/230-3-63
Maximum overcurrent protection (amps) ²	—	—	—	20	30	30	35
Minimum circuit ampacity ³	—	—	—	12	18	18	21
Compressor							
Rated load amps	—	—	—	9	13.2	13.1	15.9
Locked rotor amps	—	—	—	71	88	83.1	110
Condenser Fan Motor							
Full load amps	—	—	—	0.6	1.2	1	1
Locked rotor amps	—	—	—	6.5	2.0	2.3	2.3
Line Voltage Data (Volts-Phase-Hz)	—	—	—	480-3-60	480-3-60	480-3-60	480-3-60
Maximum overcurrent protection (amps) ²	—	—	—	TBD	TBD	TBD	TBD
³ Minimum circuit ampacity	—	—	—	TBD	TBD	TBD	TBD
Compressor							
Rated load amps	—	—	—	TBD	TBD	TBD	TBD
Locked rotor amps	—	—	—	TBD	TBD	TBD	TBD
Condenser Fan Motor							
Full load amps	—	—	—	TBD	TBD	TBD	TBD
Locked rotor amps	—	—	—	TBD	TBD	TBD	TBD

¹Refrigerant charge sufficient for 15 ft. length of refrigerant lines. For longer line set requirements see the installation instructions for information about set length and additional refrigerant charge required.

²HACR type circuit breaker or fuse.

³Refer to National Electrical Code manual to determine wire, fuse and disconnect size requirements.

Accessories

Model No.	RA1418	RA1424	RA1430	RA1436	RA1442	RA1448	RA1460
Compressor crankcase heater*	44-17402-44	44-17402-44	44-17402-44	44-17402-44	44-17402-45	44-17402-45	44-17402-45
Low ambient control	RXAD-A08	RXAD-A08	RXAD-A08	RXAD-A08	RXAD-A08	RXAD-A08	RXAD-A08
Compressor sound cover	68-23427-26	68-23427-26	68-23427-26	68-23427-26	68-23427-25	68-23427-25	68-23427-25
Compressor hard start kit	SK-A1	SK-A1	SK-A1	SK-A1	SK-A1	SK-A1	SK-A1
Compressor time delay	RXMD-B01	RXMD-B01	RXMD-B01	RXMD-B01	RXMD-B01	RXMD-B01	RXMD-B01
Low pressure control	RXAC-A07	RXAC-A07	RXAC-A07	RXAC-A07	RXAC-A07	RXAC-A07	RXAC-A07
High pressure control	RXAB-A07	RXAB-A07	RXAB-A07	RXAB-A07	RXAB-A07	RXAB-A07	RXAB-A07
Liquid Line Solenoid (24 VAC, 50/60 Hz)	Solenoid Valve	200RD2T3TVLC	200RD2T3TVLC	200RD2T3TVLC	200RD2T3TVLC	200RD2T3TVLC	200RD3T3TVLC
	Solenoid Coil	61-AMG24V	61-AMG24V	61-AMG24V	61-AMG24V	61-AMG24V	61-AMG24V
Liquid Line Solenoid (120/240 VAC, 50/60 Hz)	Solenoid Valve	200RD2T3TVLC	200RD2T3TVLC	200RD2T3TVLC	200RD2T3TVLC	200RD2T3TVLC	200RD3T3TVLC
	Solenoid Coil	61-AMG120/240V	61-AMG120/240V	61-AMG120/240V	61-AMG120/240V	61-AMG120/240V	61-AMG120/240V
Achiever Top Cap w/Label	91-101123-25	91-101123-25	91-101123-25	91-101123-25	91-101123-25	91-101123-25	91-101123-25

*Crankcase Heater recommended with Low Ambient Kit.

Weighted Sound Power Level (dBA)

A-WEIGHTED SOUND POWER LEVEL (dBA)								
Unit Size - Voltage, Series	Standard Rating (dBA)	TYPICAL OCTAVE BAND SPECTRUM (dBA without tone adjustment)						
		125	250	500	1000	2000	4000	8000
RA1418A	76	51.4	59.6	65.2	65.9	64.3	58.5	53.7
RA1424A	75.2	49.4	60.4	64.3	64.2	63.4	58.9	53.8
RA1430A	74	48.8	57.5	63.5	64	61.9	56.1	51
RA1436A	76	52.2	61.3	65.4	65.3	62.4	57.3	53.1
RA1442A	75.6	54.9	61.5	65.3	66.3	62.8	59.5	53.2
RA1448A	75.8	52.3	59.1	66.7	65.7	62.4	59.3	55.9
RA1460A	75	53.4	59.1	65.9	66.9	62.8	58.7	54.3

NOTE: Tested in accordance with AHRI Standard 270-08 (not listed in AHRI)

Thermostats



200-Series *
Programmable



300-Series *
Deluxe Programmable



400-Series *
Special Applications/Programmable



500-Series *
Communicating/Programmable

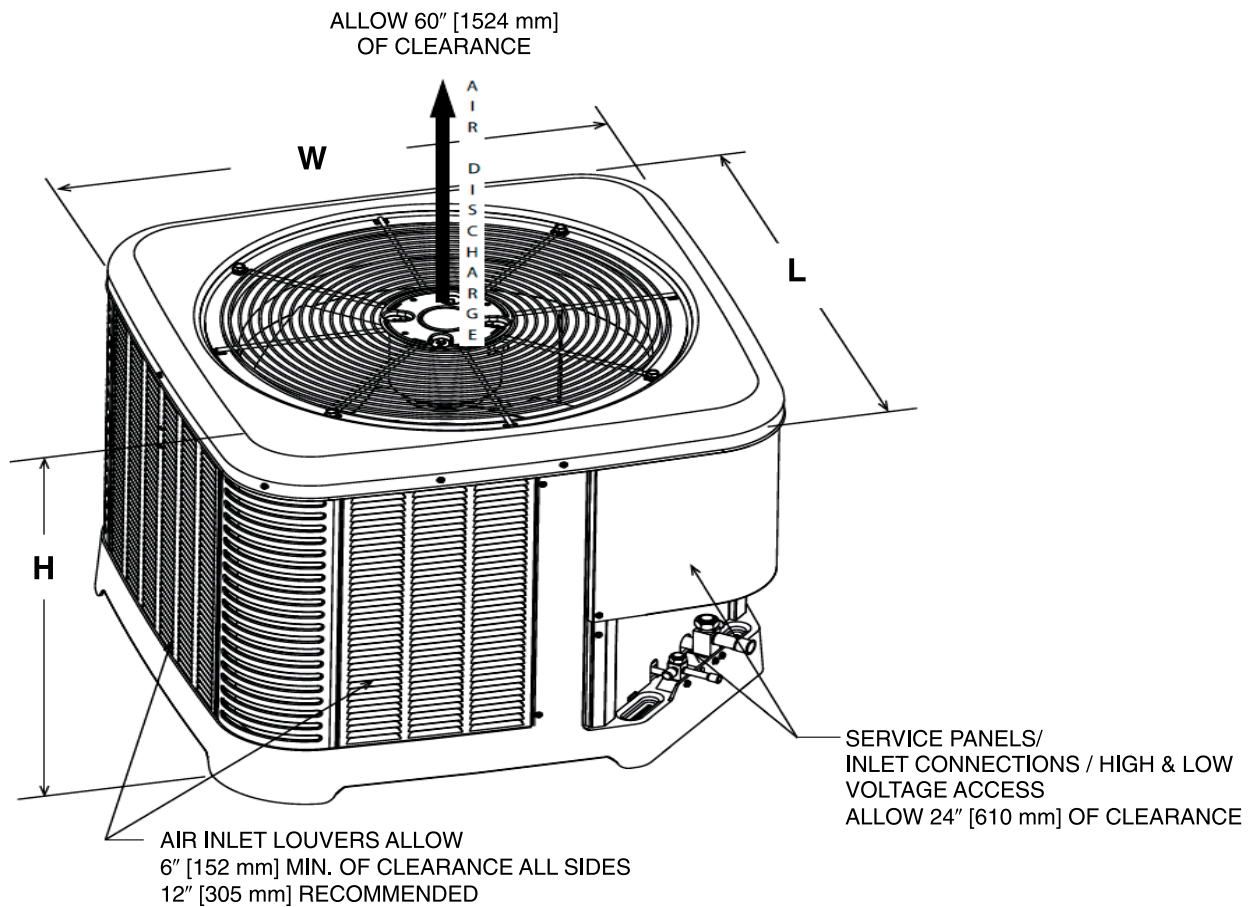
Brand	Descriptor (3 Characters)	Series (3 Characters)	System (2 Characters)	Type (2 Characters)
UHC	-	TST	213	UN
UHC=Ruud	TST=Thermostat	200=Programmable 300=Deluxe Programmable 400=Special Applications/ Programmable 500=Communicating/ Programmable	GE=Gas/Electric UN=Universal (AC/HP/GE) MD=Modulating Furnace DF=Dual Fuel CM=Communicating	SS=Single-Stage MS=Multi-Stage

* Photos are representative. Actual models may vary.

For detailed thermostat match-up information, see specification sheet form number T22-001.

Unit Dimensions

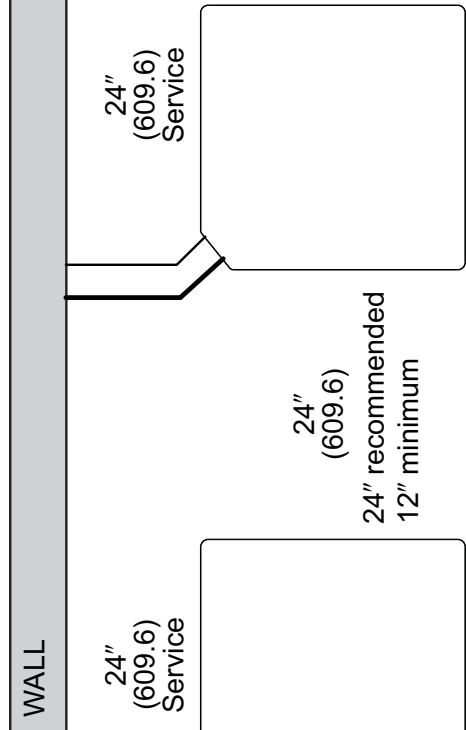
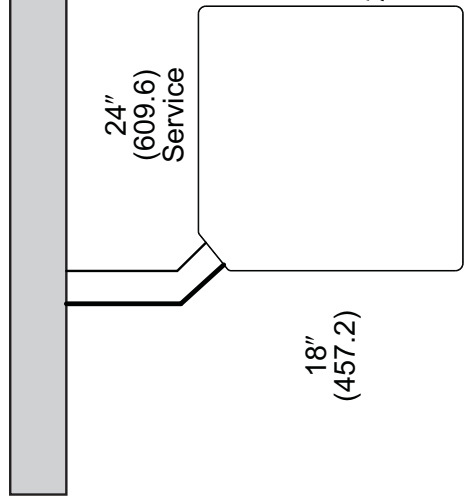
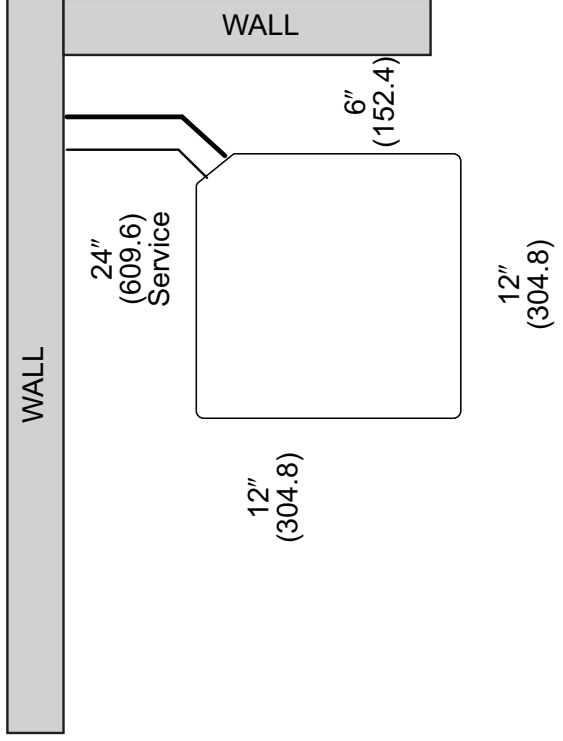
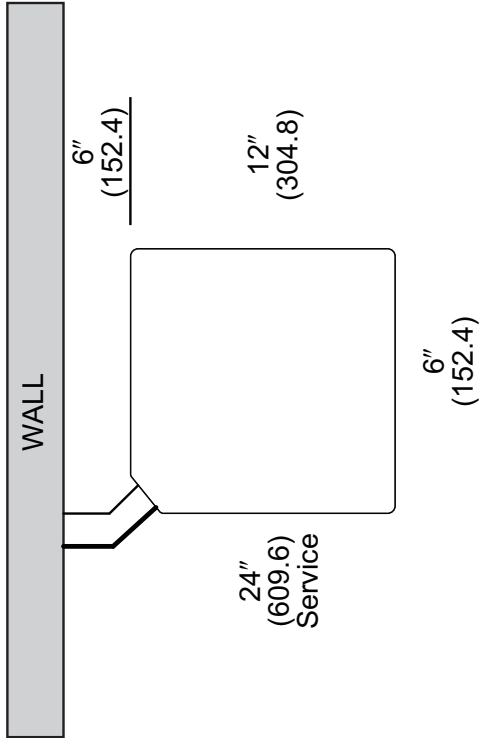
MODEL NO.	OPERATING						SHIPPING					
	H (Height)		L (Length)		W (Width)		H (Height)		L (Length)		W (Width)	
	INCHES	mm	INCHES	mm	INCHES	mm	INCHES	mm	INCHES	mm	INCHES	mm
RA1418	25	635	29.75	755	29.75	755	26.75	679	32.38	822	32.38	822
RA1424	25	635	29.75	755	29.75	755	26.75	679	32.38	822	32.38	822
RA1430	27	685	29.75	755	29.75	755	28.75	679	32.38	822	32.38	822
RA1436	27	685	33.75	857	33.75	857	28.75	730	36.38	986	36.38	986
RA1442	27	685	35.75	908	35.75	908	28.75	730	38.38	986	38.38	986
RA1448	31	787	35.75	908	35.75	908	32.75	730	38.38	986	38.38	986
RA1460	35	889	35.75	908	35.75	908	36.75	730	38.38	986	38.38	986



[] Designates Metric Conversions

ST-A1226-02-00

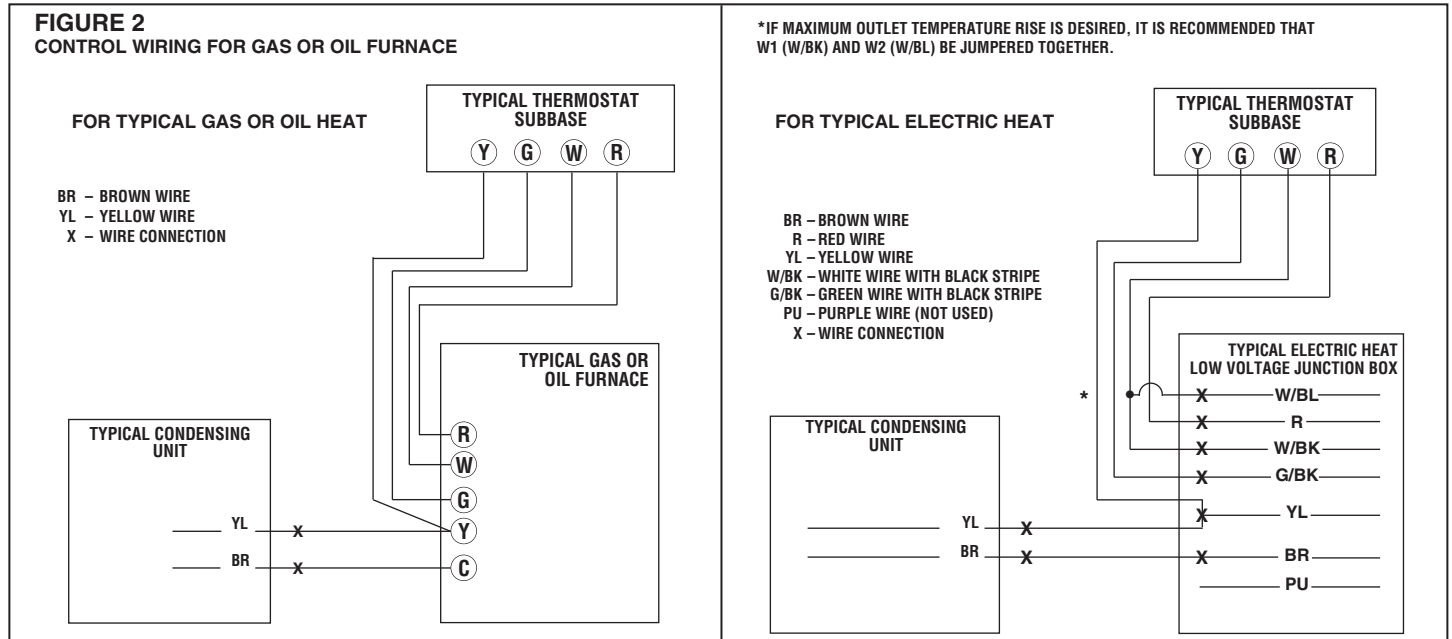
CLEARANCES



NOTE: NUMBERS IN () = mm

IMPORTANT: When installing multiple units in an alcove, roof well or partially enclosed area, ensure there is adequate ventilation to prevent re-circulation of discharge air.

Control Wiring



Application Guidelines

1. Intended for outdoor installation with free air inlet and outlet. Outdoor fan external static pressure available is less than 0.01 -in. wc.
2. Minimum outdoor operation air temperature for cooling mode without low-ambient operation accessory is 55°F (12.8°C).
3. Maximum outdoor operating air temperature is 125°F (51.7°C).
4. For reliable operation, unit should be level in all horizontal planes.
5. Use only copper wire for electric connections at unit. Aluminum and clad aluminum are not acceptable for the type of connector provided.
6. Do not apply capillary tube indoor coils to these units.
7. Factory – supplied filter drier must be installed.

Refrigerant Line Size Information

R-410A System Capacity Model	Liquid Line Size Connection Size (Inch I.D.) [mm]	Liquid Line Size (Inch O.D.) [mm]	Liquid Line Selection Chart																					
			Elevation (Above or Below) Indoor Coil																					
			Total Equivalent Length - Feet [m]																					
			Maximum Vertical Separation - Feet [m]																					
			25 [7.62]	50 [15.24]	75 [22.86]	100 [30.48]	125 [45.72]	150 [45.72]	175 [53.34]	200 [60.96]	225 [68.58]	250 [76.20]	275 [83.82]	300 [91.44]										
18	3/8" [9.53]	1/4 [6.35]	25 [7.62]	50 [15.24]	65 [19.81]	50 [15.24]	35 [10.67]	20 [6.1]	N/R	N/R	N/R	N/R	N/R	N/R	N/R	N/R	N/R							
		5/16 [7.94]	25 [7.62]	50 [15.24]	75 [22.86]	90 [27.43]	85 [25.91]	80 [24.38]	75 [22.86]	70 [21.34]	65 [19.81]	60 [18.29]	55 [16.76]	50 [15.24]	45 [13.72]	40 [12.19]	35 [10.67]	30 [9.14]						
		3/8 [9.53]	25 [7.62]	50 [15.24]	75 [22.86]	100 [30.48]	100 [30.48]	100 [30.48]	100 [30.48]	100 [30.48]	100 [30.48]	100 [30.48]	100 [30.48]	100 [30.48]	100 [30.48]	100 [30.48]	100 [30.48]	100 [30.48]	100 [30.48]					
		7/16 [11.12]	25 [7.62]	50 [15.24]	75 [22.86]	100 [30.48]	105 [32]	105 [32]	105 [32]	105 [32]	105 [32]	105 [32]	105 [32]	105 [32]	105 [32]	105 [32]	105 [32]	105 [32]	105 [32]					
		1/2 [12.71]	25 [7.62]	50 [15.24]	75 [22.86]	100 [30.48]	105 [32]	105 [32]	105 [32]	105 [32]	105 [32]	105 [32]	105 [32]	105 [32]	105 [32]	105 [32]	105 [32]	105 [32]	105 [32]					
24	3/8" [9.53]	1/4 [6.35]	25 [7.62]	50 [15.24]	30 [9.14]	N/R	N/R	N/R	N/R	N/R	N/R	N/R	N/R	N/R	N/R	N/R	N/R							
		5/16 [7.94]	25 [7.62]	50 [15.24]	75 [22.86]	80 [24.38]	75 [22.86]	70 [21.34]	60 [18.29]	55 [16.76]	50 [15.24]	40 [12.19]	35 [10.67]	30 [9.14]	25 [7.62]	20 [6.1]	15 [4.57]	10 [3.05]						
		3/8 [9.53]	25 [7.62]	50 [15.24]	75 [22.86]	100 [30.48]	100 [30.48]	100 [30.48]	100 [30.48]	100 [30.48]	100 [30.48]	100 [30.48]	100 [30.48]	100 [30.48]	100 [30.48]	100 [30.48]	100 [30.48]	100 [30.48]	100 [30.48]					
		7/16 [11.12]	25 [7.62]	50 [15.24]	75 [22.86]	100 [30.48]	100 [30.48]	100 [30.48]	100 [30.48]	100 [30.48]	100 [30.48]	100 [30.48]	100 [30.48]	100 [30.48]	100 [30.48]	100 [30.48]	100 [30.48]	100 [30.48]	100 [30.48]					
		1/2 [12.71]	25 [7.62]	50 [15.24]	75 [22.86]	100 [30.48]	105 [32]	105 [32]	105 [32]	105 [32]	105 [32]	105 [32]	105 [32]	105 [32]	105 [32]	105 [32]	105 [32]	105 [32]	105 [32]					
30	3/8" [9.53]	1/4 [6.35]	25 [7.62]	50 [15.24]	75 [22.86]	65 [19.81]	55 [16.76]	45 [13.72]	35 [10.67]	25 [7.62]	15 [4.57]	5 [1.52]	N/R	N/R	N/R	N/R	N/R							
		5/16 [7.94]	25 [7.62]	50 [15.24]	75 [22.86]	90 [27.43]	85 [25.91]	80 [24.38]	80 [24.38]	80 [24.38]	80 [24.38]	80 [24.38]	80 [24.38]	80 [24.38]	80 [24.38]	80 [24.38]	80 [24.38]	80 [24.38]						
		3/8 [9.53]	25 [7.62]	50 [15.24]	75 [22.86]	100 [30.48]	100 [30.48]	100 [30.48]	100 [30.48]	100 [30.48]	100 [30.48]	100 [30.48]	100 [30.48]	100 [30.48]	100 [30.48]	100 [30.48]	100 [30.48]	100 [30.48]						
		7/16 [11.12]	25 [7.62]	50 [15.24]	75 [22.86]	100 [30.48]	100 [30.48]	100 [30.48]	100 [30.48]	100 [30.48]	100 [30.48]	100 [30.48]	100 [30.48]	100 [30.48]	100 [30.48]	100 [30.48]	100 [30.48]	100 [30.48]						
		1/2 [12.71]	25 [7.62]	50 [15.24]	75 [22.86]	100 [30.48]	100 [30.48]	100 [30.48]	100 [30.48]	100 [30.48]	100 [30.48]	100 [30.48]	100 [30.48]	100 [30.48]	100 [30.48]	100 [30.48]	100 [30.48]	100 [30.48]						
36	3/8" [9.53]	1/4 [6.35]	25 [7.62]	50 [15.24]	65 [19.81]	55 [16.76]	45 [13.72]	30 [9.14]	20 [6.1]	10 [3.05]	N/R	N/R	N/R	N/R	N/R	N/R	N/R							
		5/16 [7.94]	25 [7.62]	50 [15.24]	75 [22.86]	80 [24.38]	80 [24.38]	80 [24.38]	80 [24.38]	80 [24.38]	80 [24.38]	80 [24.38]	80 [24.38]	80 [24.38]	80 [24.38]	80 [24.38]	80 [24.38]							
		3/8 [9.53]	25 [7.62]	50 [15.24]	75 [22.86]	100 [30.48]	100 [30.48]	100 [30.48]	100 [30.48]	100 [30.48]	100 [30.48]	100 [30.48]	100 [30.48]	100 [30.48]	100 [30.48]	100 [30.48]	100 [30.48]							
		7/16 [11.12]	25 [7.62]	50 [15.24]	75 [22.86]	100 [30.48]	100 [30.48]	100 [30.48]	100 [30.48]	100 [30.48]	100 [30.48]	100 [30.48]	100 [30.48]	100 [30.48]	100 [30.48]	100 [30.48]	100 [30.48]							
		1/2 [12.71]	25 [7.62]	50 [15.24]	75 [22.86]	100 [30.48]	100 [30.48]	100 [30.48]	100 [30.48]	100 [30.48]	100 [30.48]	100 [30.48]	100 [30.48]	100 [30.48]	100 [30.48]	100 [30.48]	100 [30.48]							
42	3/8" [9.53]	1/4 [6.35]	15 [4.57]	N/R	N/R	N/R	N/R	N/R	N/R	N/R	N/R	N/R	N/R	N/R	N/R	N/R	N/R							
		5/16 [7.94]	25 [7.62]	50 [15.24]	65 [19.81]	55 [16.76]	45 [13.72]	30 [9.14]	20 [6.1]	10 [3.05]	N/R	N/R	N/R	N/R	N/R	N/R	N/R							
		3/8 [9.53]	25 [7.62]	50 [15.24]	75 [22.86]	85 [25.91]	80 [24.38]	80 [24.38]	80 [24.38]	80 [24.38]	80 [24.38]	80 [24.38]	80 [24.38]	80 [24.38]	80 [24.38]	80 [24.38]	80 [24.38]							
		7/16 [11.12]	25 [7.62]	50 [15.24]	75 [22.86]	100 [30.48]	100 [30.48]	100 [30.48]	100 [30.48]	100 [30.48]	100 [30.48]	100 [30.48]	100 [30.48]	100 [30.48]	100 [30.48]	100 [30.48]	100 [30.48]							
		1/2 [12.71]	25 [7.62]	50 [15.24]	75 [22.86]	100 [30.48]	100 [30.48]	100 [30.48]	100 [30.48]	100 [30.48]	100 [30.48]	100 [30.48]	100 [30.48]	100 [30.48]	100 [30.48]	100 [30.48]								
48	3/8" [9.53]	1/4 [6.35]	25 [7.62]	50 [15.24]	35 [10.67]	15 [4.57]	N/R	N/R	N/R	N/R	N/R	N/R	N/R	N/R	N/R	N/R	N/R							
		5/16 [7.94]	25 [7.62]	50 [15.24]	75 [22.86]	85 [25.91]	80 [24.38]	80 [24.38]	80 [24.38]	80 [24.38]	80 [24.38]	80 [24.38]	80 [24.38]	80 [24.38]	80 [24.38]	80 [24.38]								
		3/8 [9.53]	25 [7.62]	50 [15.24]	75 [22.86]	100 [30.48]	100 [30.48]	100 [30.48]	100 [30.48]	100 [30.48]	100 [30.48]	100 [30.48]	100 [30.48]	100 [30.48]	100 [30.48]	100 [30.48]								
		7/16 [11.12]	25 [7.62]	50 [15.24]	75 [22.86]	100 [30.48]	100 [30.48]	100 [30.48]	100 [30.48]	100 [30.48]	100 [30.48]	100 [30.48]	100 [30.48]	100 [30.48]	100 [30.48]	100 [30.48]								
		1/2 [12.71]	25 [7.62]	50 [15.24]	75 [22.86]	100 [30.48]	100 [30.48]	100 [30.48]	100 [30.48]	100 [30.48]	100 [30.48]	100 [30.48]	100 [30.48]	100 [30.48]	100 [30.48]									
60	3/8" [9.53]	1/4 [6.35]	N/R	N/R	N/R	N/R	N/R	N/R	N/R	N/R	N/R	N/R	N/R	N/R	N/R	N/R	N/R							
		5/16 [7.94]	25 [7.62]	50 [15.24]	65 [19.81]	55 [16.76]	40 [12.19]	20 [6.1]	N/R	N/R	N/R	N/R	N/R	N/R	N/R	N/R	N/R							
		3/8 [9.53]	25 [7.62]	50 [15.24]	75 [22.86]	85 [25.91]	80 [24.38]	80 [24.38]	80 [24.38]	80 [24.38]	80 [24.38]	80 [24.38]	80 [24.38]	80 [24.38]	80 [24.38]	80 [24.38]								
		7/16 [11.12]	25 [7.62]	50 [15.24]	75 [22.86]	100 [30.48]	100 [30.48]	100 [30.48]	100 [30.48]	100 [30.48]	100 [30.48]	100 [30.48]	100 [30.48]	100 [30.48]	100 [30.48]									
		1/2 [12.71]	25 [7.62]	50 [15.24]	75 [22.86]	100 [30.48]	100 [30.48]	100 [30.48]	100 [30.48]	100 [30.48]	100 [30.48]	100 [30.48]	100 [30.48]	100 [30.48]										

NOTES: N/R = Application not recommended. Grey = This application is acceptable, but the long line guidelines must be followed. Reference Long Line Set section in the I&O [] Designates Metric Conversions

Refrigerant Line Size Information (con't.)

R-410A System Capacity Model	Vapor Line Connection Size (Inch I.D.) [mm]	Vapor Line Size (Inch O.D.) [mm]	Vapor Line Selection Chart Capacity Multiplier Table															
			Total Equivalent Length - Feet [m]															
			25 [7.62]	50 [15.24]	75 [22.86]	100 [30.48]	125 [45.72]	150 [45.72]	175 [53.34]	200 [60.96]	225 [68.58]	250 [76.20]	275 [83.82]	300 [91.44]				
18	3/4" [19.06]	5/8 [15.88]	1.00	0.99	0.99	0.98	0.98	0.98	0.97	0.97	0.97	0.97	0.96	0.96	0.96	0.96	0.95	
			1.00	1.00	1.00	1.00	1.00	1.00	0.99	0.99	0.99	0.99	0.99	0.99	0.99	0.99	0.99	
			N/R	N/R	N/R	N/R	N/R	N/R	N/R	N/R	N/R	N/R	N/R	N/R	N/R	N/R	N/R	N/R
			N/R	N/R	N/R	N/R	N/R	N/R	N/R	N/R	N/R	N/R	N/R	N/R	N/R	N/R	N/R	N/R
24	3/4" [19.06]	5/8 [15.88]	0.99	1.00	1.00	0.99	0.98	0.97	0.97	0.96	0.95	0.95	0.94	0.94	0.94	0.93	0.94	
			1.00	1.01	1.01	1.01	1.01	1.01	1.00	1.00	1.00	1.00	0.99	0.99	0.99	0.99	0.99	
			1.00	1.00	1.00	1.00	1.02	1.01	1.01	1.01	1.01	1.01	1.01	1.01	1.01	1.01	1.01	1.00
			N/R	N/R	N/R	N/R	N/R	N/R	N/R	N/R	N/R	N/R	N/R	N/R	N/R	N/R	N/R	N/R
30	3/4" [19.06]	5/8 [15.88]	1.00	0.98	0.97	0.97	0.95	0.95	0.95	0.94	0.93	0.93	0.93	0.92	0.92	0.92	0.91	
			1.00	1.00	0.99	0.99	0.99	0.98	0.98	0.98	0.98	0.98	0.98	0.97	0.97	0.97	0.96	
			1.01	1.00	1.00	1.00	1.00	1.00	0.99	0.99	0.99	0.99	0.99	1.00	1.00	1.00	1.00	1.00
			N/R	N/R	N/R	N/R	N/R	N/R	N/R	N/R	N/R	N/R	N/R	N/R	N/R	N/R	N/R	N/R
36	3/4" [19.06]	5/8 [15.88]	0.99	0.98	0.97	0.96	0.95	0.95	0.95	0.93	0.93	0.91	0.91	0.9	0.89	0.89	0.88	
			1.00	1.00	0.99	0.99	0.98	0.98	0.99	0.99	0.99	0.97	0.97	0.98	0.97	0.96	0.96	0.96
			1.01	1.01	1.00	1.00	1.00	1.00	1.00	0.99	0.99	0.99	0.99	0.99	0.99	0.99	0.99	0.98
			1.01	1.01	1.01	1.00	1.00	1.00	1.01	1.00	1.00	1.01	1.00	1.00	1.00	1.00	1.00	1.00
42	7/8" [22.23]	1-1/8 [28.58]	N/R	N/R	N/R	N/R	N/R	N/R	N/R	N/R	N/R	N/R	N/R	N/R	N/R	N/R	N/R	
			1.00	0.97	0.95	0.93	0.92	0.92	0.91	0.91	0.91	0.89	0.89	0.87	0.85	0.85	0.84	
			1.00	1.00	0.99	0.99	0.97	0.97	0.97	0.97	0.97	0.95	0.95	0.95	0.95	0.94	0.94	0.93
			1.00	1.00	1.01	1.00	1.00	1.00	0.99	0.99	0.99	0.99	0.99	0.99	0.98	0.98	0.98	0.98
48	7/8" [22.23]	1-1/8 [28.58]	1.01	1.00	0.99	1.00	1.00	1.00	1.00	1.01	1.01	1.01	1.01	1.01	1.00	0.99	0.99	
			N/R	N/R	N/R	N/R	N/R	N/R	N/R	N/R	N/R	N/R	N/R	N/R	N/R	N/R	N/R	N/R
			0.98	0.95	0.93	0.92	0.9	0.88	0.88	0.86	0.86	0.85	0.85	0.84	0.82	0.82	0.82	0.82
			0.99	0.98	0.97	0.96	0.96	0.95	0.95	0.94	0.94	0.93	0.93	0.92	0.92	0.92	0.92	0.92
60	7/8" [22.23]	1-1/8 [28.58]	1.00	1.00	1.00	0.98	0.98	0.97	0.97	0.97	0.97	0.97	0.96	0.96	0.96	0.96	0.96	
			1.00	1.00	0.99	0.99	0.99	0.99	0.99	0.98	0.98	0.98	0.98	0.98	0.98	0.98	0.98	0.98
			1.00	1.00	1.00	0.99	0.99	0.99	0.99	0.99	0.99	0.99	0.99	0.99	0.99	0.99	0.99	0.99
			0.97	0.94	0.91	0.89	0.87	0.87	0.87	0.87	0.87	0.87	0.87	0.87	0.87	0.87	0.87	0.87

NOTES:
 N/R = Application not recommended.
 All calculations assume a 3/8" liquid line
 [] Designates Metric Conversions

Performance Data @ AHRI Standard Conditions – Cooling

High Sales Volume Tested Combination (HSVTC)								
Outdoor Unit	Indoor Coil	Total Capacity BTU/H [kW]	Net Sensible BTU/H [kW]	Net Latent BTU/H [kW]	SEER	EER	Indoor CFM [L/s]	AHRI#
RA1418AJ1	RCF2414STAM+RXMD-C04	17900 [5.2]	13100 [3.8]	4800 [1.4]	14	11.5	600 [283.2]	7490519
RA1424AJ1	RCF2414STAM+RXMD-C04	24000 [7.0]	16800 [4.9]	7200 [2.1]	14	11.5	775 [365.8]	7490731
RA1430AJ1	RCF3621STAM+RXMD-C04	28600 [8.4]	20500 [6.0]	8100 [2.4]	14	11.5	1000 [471.9]	7491039
RA1436AC1	RCF3621STAM+RXMD-C04	34200 [10.0]	23400 [6.9]	10800 [3.2]	14	11.5	1050 [495.5]	7491310
RA1436AD1	RCF3621STAM+RXMD-C04	34200 [10.0]	23400 [6.9]	10800 [3.2]	14	11.5	1050 [495.5]	7599839
RA1436AJ1	RCF3621STAM+RXMD-C04	34200 [10.0]	23400 [6.9]	10800 [3.2]	14	11.5	1050 [495.5]	7491601
RA1442AC1	RCF4824STAM+RXMD-C04	41500 [12.2]	29300 [8.6]	12200 [3.6]	14	11.5	1375 [648.9]	7491893
RA1442AD1	RCF4824STAM+RXMD-C04	41500 [12.2]	29300 [8.6]	12200 [3.6]	14	11.5	1375 [648.9]	7600382
RA1442AJ1	RCF4824STAM+RXMD-C04	41500 [12.2]	29300 [8.6]	12200 [3.6]	14	11.5	1375 [648.9]	7492068
RA1448AC1	RCF4824STAM+RXMD-C04	45500 [13.3]	31100 [9.1]	14400 [4.2]	14	11.7	1375 [648.9]	7492238
RA1448AD1	RCF4824STAM+RXMD-C04	45500 [13.3]	31100 [9.1]	14400 [4.2]	14	11.7	1375 [648.9]	7600694
RA1448AJ1	RCF4824STAM+RXMD-C04	45500 [13.3]	31100 [9.1]	14400 [4.2]	14	11.7	1375 [648.9]	7492437
RA1460AC1	RCF6024HTAM+RXMD-C04	57000 [16.7]	39900 [11.7]	17100 [5.0]	14	11.7	1575 [743.3]	7492580
RA1460AD1	RCF6024HTAM+RXMD-C04	57000 [16.7]	39900 [11.7]	17100 [5.0]	14	11.7	1575 [743.3]	7600955
RA1460AJ1	RCF6024HTAM+RXMD-C04	57000 [16.7]	39900 [11.7]	17100 [5.0]	14	11.7	1575 [743.3]	7492636

[] Designates Metric Conversions

Performance Data @ AHRI Standard Conditions – Cooling (con't.)

Coil Only Ratings								
Outdoor Unit	Indoor Coil	Total Capacity BTU/H [kW]	Net Sensible BTU/H [kW]	Net Latent BTU/H [kW]	SEER	EER	Indoor CFM [L/s]	AHRI#
RA1418AJ1	RCF2417HTAM+RXMD-C04	17900 [5.2]	13100 [3.8]	4800 [1.4]	14	11.5	600 [283.2]	7493620
	RCF2417MTAM+RXMD-C04	17900 [5.2]	13100 [3.8]	4800 [1.4]	14	11.5	600 [283.2]	7493621
	RCF2417STAM	17800 [5.2]	13400 [3.9]	4400 [1.3]	14	11.5	600 [283.2]	7489162
	RCF2421MTAM+RXMD-C04	17900 [5.2]	13100 [3.8]	4800 [1.4]	14	11.5	600 [283.2]	7493623
	RCF2421HTAM+RXMD-C04	17900 [5.2]	13100 [3.8]	4800 [1.4]	14	11.5	600 [283.2]	7493622
RA1424AJ1	RCF2417HTAM+RXMD-C04	24000 [7.0]	17200 [5.0]	6800 [2.0]	14	11.5	800 [377.6]	7493627
	RCF2417MTAM+RXMD-C04	24000 [7.0]	17200 [5.0]	6800 [2.0]	14	11.5	800 [377.6]	7493628
	RCF2417STAM	24000 [7.0]	18100 [5.3]	5900 [1.7]	14	11.5	800 [377.6]	7489163
	RCF2421MTAM+RXMD-C04	24000 [7.0]	17200 [5.0]	6800 [2.0]	14	11.5	800 [377.6]	7493630
	RCF2421HTAM+RXMD-C04	24000 [7.0]	17200 [5.0]	6800 [2.0]	14	11.5	800 [377.6]	7493629
RA1430AJ1	RCF3621HTAM+RXMD-C04	30000 [8.8]	22700 [6.7]	7300 [2.1]	14.5	12	1000 [471.9]	8083412
	RCF3621MTAM+RXMD-C04	30000 [8.8]	21900 [6.4]	8100 [2.4]	14.5	12	1000 [471.9]	7493634
	RCF3624HTAM+RXMD-C04	30000 [8.8]	21400 [6.3]	8600 [2.5]	14.5	12	1000 [471.9]	7493635
	RCF3624MTAM+RXMD-C04	30000 [8.8]	21900 [6.4]	8100 [2.4]	14.5	12	1000 [471.9]	7493636
RA1436AC1	RCF3621HTAM+RXMD-C04	36000 [10.6]	25900 [7.6]	10100 [3.0]	14.5	12	1200 [566.3]	8083438
	RCF3621MTAM+RXMD-C04	36000 [10.6]	24800 [7.3]	11200 [3.3]	14.5	12	1050 [495.5]	7493639
	RCF3624HTAM+RXMD-C04	36000 [10.6]	24600 [7.2]	11400 [3.3]	14.5	12	1050 [495.5]	7493640
	RCF3624MTAM+RXMD-C04	36000 [10.6]	24800 [7.3]	11200 [3.3]	14.5	12	1050 [495.5]	7493641
RA1436AD1	RCF3621HTAM+RXMD-C04	36000 [10.6]	25900 [7.6]	10100 [3.0]	14.5	12	1200 [566.3]	8083464
	RCF3621MTAM+RXMD-C04	36000 [10.6]	24800 [7.3]	11200 [3.3]	14.5	12	1050 [495.5]	7599798
	RCF3624HTAM+RXMD-C04	36000 [10.6]	24600 [7.2]	11400 [3.3]	14.5	12	1050 [495.5]	7599872
	RCF3624MTAM+RXMD-C04	36000 [10.6]	24800 [7.3]	11200 [3.3]	14.5	12	1050 [495.5]	7599916
RA1436AJ1	RCF3621HTAM+RXMD-C04	36000 [10.6]	25900 [7.6]	10100 [3.0]	14.5	12	1200 [566.3]	8083490
	RCF3621MTAM+RXMD-C04	36000 [10.6]	24800 [7.3]	11200 [3.3]	14.5	12	1050 [495.5]	7493647
	RCF3624HTAM+RXMD-C04	36000 [10.6]	24600 [7.2]	11400 [3.3]	14.5	12	1050 [495.5]	7493648
	RCF3624MTAM+RXMD-C04	36000 [10.6]	24800 [7.3]	11200 [3.3]	14.5	12	1050 [495.5]	7493649
RA1442AC1	RCF4821MTAM+RXMD-C04	42000 [12.3]	31600 [9.3]	10400 [3.0]	14	11.5	1425 [672.5]	8083518
	RCF4824HTAM+RXMD-C04	42000 [12.3]	29700 [8.7]	12300 [3.6]	14.5	12	1425 [672.5]	7493655
RA1442AD1	RCF4821MTAM+RXMD-C04	42000 [12.3]	31600 [9.3]	10400 [3.0]	14	11.5	1425 [672.5]	8083547
	RCF4824HTAM+RXMD-C04	42000 [12.3]	29700 [8.7]	12300 [3.6]	14.5	12	1425 [672.5]	7600347
RA1442AJ1	RCF4821MTAM+RXMD-C04	42000 [12.3]	31600 [9.3]	10400 [3.0]	14	11.5	1425 [672.5]	8083576
	RCF4824HTAM+RXMD-C04	42000 [12.3]	29700 [8.7]	12300 [3.6]	14.5	12	1425 [672.5]	7493658
RA1448AC1	RCF4821MTAM+RXMD-C04	47000 [13.8]	32600 [9.6]	14400 [4.2]	14	11.7	1550 [731.5]	8083601
	RCF4824HTAM+RXMD-C04	47500 [13.9]	33300 [9.8]	14200 [4.2]	14	11.7	1450 [684.3]	7492215
RA1448AD1	RCF4821MTAM+RXMD-C04	47000 [13.8]	32600 [9.6]	14400 [4.2]	14	11.7	1550 [731.5]	8083625
	RCF4824HTAM+RXMD-C04	47500 [13.9]	33300 [9.8]	14200 [4.2]	14	11.7	1450 [684.3]	7600660
RA1448AJ1	RCF4821MTAM+RXMD-C04	47000 [13.8]	32600 [9.6]	14400 [4.2]	14	11.7	1550 [731.5]	8083649
	RCF4824HTAM+RXMD-C04	47500 [13.9]	33300 [9.8]	14200 [4.2]	14	11.7	1450 [684.3]	7492414

[] Designates Metric Conversions

Performance Data @ AHRI Standard Conditions – Cooling (con't.)

R801T: Achiever Plus Single-Stage X-13 80% Furnace Ratings									
Outdoor Unit	Furnace	Indoor Coil	Total Capacity BTU/H [kW]	Net Sensible BTU/H [kW]	Net Latent BTU/H [kW]	SEER	EER	Indoor CFM [L/s]	AHRI#
RA1418AJ1	R801TA050314MSA	RCF2414STAM	18000 [5.3]	13200 [3.9]	4800 [1.4]	16	13	625 [295.0]	7522118
		RCF2417HTAM	18000 [5.3]	14000 [4.1]	4000 [1.2]	16	13	625 [295.0]	7500935
		RCF2417MTAM	18000 [5.3]	14000 [4.1]	4000 [1.2]	16	13	625 [295.0]	7500937
		RCF2417STAM	18000 [5.3]	13600 [4.0]	4400 [1.3]	16	13	625 [295.0]	7500939
RA1418AJ1	R801TA050314MXA	RCF2414STAM	18400 [5.4]	13600 [4.0]	4800 [1.4]	16	13	625 [295.0]	8052679
		RCF2417HTAM	18400 [5.4]	14400 [4.2]	4000 [1.2]	16	13	625 [295.0]	8052680
		RCF2417MTAM	18400 [5.4]	14400 [4.2]	4000 [1.2]	16	13	625 [295.0]	8052685
		RCF2417STAM	18300 [5.4]	13900 [4.1]	4400 [1.3]	16	13	625 [295.0]	8052690
RA1418AJ1	R801TA075317ZSA	RCF2417HTAM	18000 [5.3]	14000 [4.1]	4000 [1.2]	16	13	650 [306.8]	7500936
		RCF2417MTAM	18000 [5.3]	14000 [4.1]	4000 [1.2]	16	13	650 [306.8]	7500938
		RCF2417STAM	18000 [5.3]	13700 [4.0]	4300 [1.3]	16	13	650 [306.8]	7500940
		RCF2421MTAM	18000 [5.3]	14000 [4.1]	4000 [1.2]	16	13	650 [306.8]	7500942
RA1418AJ1	R801TA075317ZXA	RCF2417HTAM	18600 [5.5]	14600 [4.3]	4000 [1.2]	16	13	650 [306.8]	8052681
		RCF2417MTAM	18500 [5.4]	14500 [4.2]	4000 [1.2]	16	13	650 [306.8]	8052686
		RCF2417STAM	18500 [5.4]	14200 [4.2]	4300 [1.3]	16	13	650 [306.8]	8052691
		RCF2421MTAM	18500 [5.4]	14500 [4.2]	4000 [1.2]	16	13	650 [306.8]	8052701
RA1418AJ1	R801TA075317ZSA	RCF2421HTAM	18000 [5.3]	14000 [4.1]	4000 [1.2]	16	13	650 [306.8]	7500941
RA1418AJ1	R801TA075317ZXA	RCF2421HTAM	18500 [5.4]	14500 [4.2]	4000 [1.2]	16	13	650 [306.8]	8052695
RA1424AJ1	R801TA050314MSA	RCF2414STAM	24000 [7.0]	17800 [5.2]	6200 [1.8]	15.5	13	800 [377.6]	7522121
		RCF2417HTAM	24000 [7.0]	17400 [5.1]	6600 [1.9]	16	13	875 [413.0]	7500952
		RCF2417MTAM	24000 [7.0]	17300 [5.1]	6700 [2.0]	16	13	850 [401.2]	7500954
		RCF2417STAM	24000 [7.0]	18100 [5.3]	5900 [1.7]	15.1	12.5	825 [389.4]	7500956
RA1424AJ1	R801TA050314MXA	RCF2414STAM	25200 [7.4]	19000 [5.6]	6200 [1.8]	15.5	13	800 [377.6]	8052737
		RCF2417HTAM	26200 [7.7]	19600 [5.7]	6600 [1.9]	16	13	875 [413.0]	8052738
		RCF2417MTAM	26000 [7.6]	19300 [5.7]	6700 [2.0]	16	13	850 [401.2]	8052743
		RCF2417STAM	24600 [7.2]	18700 [5.5]	5900 [1.7]	15.1	12.5	825 [389.4]	8052748
RA1424AJ1	R801TA075317ZSA	RCF2417HTAM	24000 [7.0]	17400 [5.1]	6600 [1.9]	15.5	13	875 [413.0]	7500953
		RCF2417MTAM	24000 [7.0]	17400 [5.1]	6600 [1.9]	15.5	13	875 [413.0]	7500955
		RCF2417STAM	23800 [7.0]	17500 [5.1]	6300 [1.8]	15.5	13	650 [306.8]	7500957
		RCF2421MTAM	24000 [7.0]	17400 [5.1]	6600 [1.9]	15.5	13	875 [413.0]	7500959
RA1424AJ1	R801TA075317ZXA	RCF2417HTAM	26200 [7.7]	19600 [5.7]	6600 [1.9]	15.5	13	875 [413.0]	8052739
		RCF2417MTAM	26000 [7.6]	19400 [5.7]	6600 [1.9]	15.5	13	875 [413.0]	8052744
		RCF2417STAM	23800 [7.0]	17500 [5.1]	6300 [1.8]	15.5	13	650 [306.8]	8052749
		RCF2421MTAM	26000 [7.6]	19400 [5.7]	6600 [1.9]	15.5	13	875 [413.0]	8052761
RA1424AJ1	R801TA075317ZSA	RCF2421HTAM	24000 [7.0]	17400 [5.1]	6600 [1.9]	15.5	13	875 [413.0]	7500958
RA1424AJ1	R801TA075317ZXA	RCF2421HTAM	26000 [7.6]	19400 [5.7]	6600 [1.9]	15.5	13	875 [413.0]	8052753
RA1430AJ1	R801TA050314MSA	RCF3617STAM	28600 [8.4]	21100 [6.2]	7500 [2.2]	15.5	13	850 [401.2]	7500969
RA1430AJ1	R801TA050314MXA	RCF3617STAM	28600 [8.4]	21100 [6.2]	7500 [2.2]	15.5	13	850 [401.2]	8052803
RA1430AJ1	R801TA075317ZSA	RCF3617STAM	28600 [8.4]	21200 [6.2]	7400 [2.2]	15.1	12.5	875 [413.0]	7500970
		RCF3621MTAM	30000 [8.8]	21400 [6.3]	8600 [2.5]	16	13	875 [413.0]	7500972
		RCF3621STAM	28600 [8.4]	21200 [6.2]	7400 [2.2]	15.1	12.5	875 [413.0]	7500977
RA1430AJ1	R801TA075317ZXA	RCF3617STAM	28600 [8.4]	21200 [6.2]	7400 [2.2]	15.1	12.5	875 [413.0]	8052804
		RCF3621MTAM	30200 [8.9]	21600 [6.3]	8600 [2.5]	16	13	875 [413.0]	8052809
		RCF3621STAM	28600 [8.4]	21200 [6.2]	7400 [2.2]	15.1	12.5	875 [413.0]	8052822
RA1430AJ1	R801TA075417MSA	RCF3617STAM	29200 [8.6]	22200 [6.5]	7000 [2.1]	15.1	12.5	1000 [471.9]	7500971
		RCF3621HTAM	30000 [8.8]	22700 [6.7]	7300 [2.1]	16	13	1050 [495.5]	8083389
		RCF3621MTAM	30000 [8.8]	22100 [6.5]	7900 [2.3]	16	13	1050 [495.5]	7500973
		RCF3621STAM	29200 [8.6]	22200 [6.5]	7000 [2.1]	15.1	12.5	1025 [483.7]	7500978

[] Designates Metric Conversions

Performance Data @ AHRI Standard Conditions – Cooling (con't.)

R801T: Achiever Plus Single-Stage X-13 80% Furnace Ratings									
Outdoor Unit	Furnace	Indoor Coil	Total Capacity BTU/H [kW]	Net Sensible BTU/H [kW]	Net Latent BTU/H [kW]	SEER	EER	Indoor CFM [L/s]	AHRI#
RA1430AJ1	R801TA075417MXA	RCF3617STAM	29200 [8.6]	22200 [6.5]	7000 [2.1]	15.1	12.5	1000 [471.9]	8052805
		RCF3621MTAM	31000 [9.1]	23100 [6.8]	7900 [2.3]	16	13	1050 [495.5]	8052810
		RCF3621STAM	29200 [8.6]	22200 [6.5]	7000 [2.1]	15.1	12.5	1025 [483.7]	8052823
RA1430AJ1	R801TA075421MSA	RCF3621HTAM	30000 [8.8]	22700 [6.7]	7300 [2.1]	16	13	1050 [495.5]	8083390
		RCF3621MTAM	30000 [8.8]	22700 [6.7]	7300 [2.1]	16	13	1025 [483.7]	8052811
		RCF3621STAM	29200 [8.6]	22200 [6.5]	7000 [2.1]	15.1	12.5	1025 [483.7]	8052824
		RCF3624HTAM	30000 [8.8]	22700 [6.7]	7300 [2.1]	16	13	1050 [495.5]	8052835
		RCF3624MTAM	30000 [8.8]	22700 [6.7]	7300 [2.1]	16	13	1025 [483.7]	8052846
RA1430AJ1	R801TA075521ZSA	RCF3621MTAM	30000 [8.8]	21900 [6.4]	8100 [2.4]	16	13	1000 [471.9]	7500974
		RCF3621STAM	29200 [8.6]	22100 [6.5]	7100 [2.1]	15.1	12.5	975 [460.1]	7500979
		RCF3624HTAM	30000 [8.8]	21400 [6.3]	8600 [2.5]	16	13	1025 [483.7]	7500982
		RCF3624MTAM	30000 [8.8]	21900 [6.4]	8100 [2.4]	16	13	1000 [471.9]	7500986
RA1430AJ1	R801TA075521ZXA	RCF3621MTAM	30800 [9.0]	22700 [6.7]	8100 [2.4]	16	13	1000 [471.9]	8052812
		RCF3621STAM	29200 [8.6]	22100 [6.5]	7100 [2.1]	15.1	12.5	975 [460.1]	8052825
		RCF3624HTAM	31400 [9.2]	22800 [6.7]	8600 [2.5]	16	13	1025 [483.7]	8052836
		RCF3624MTAM	30800 [9.0]	22700 [6.7]	8100 [2.4]	16	13	1000 [471.9]	8052847
RA1430AJ1	R801TA100521MSA	RCF3621HTAM	30000 [8.8]	22700 [6.7]	7300 [2.1]	16	13	1075 [507.3]	8083391
		RCF3621MTAM	30000 [8.8]	22100 [6.5]	7900 [2.3]	16	13	1050 [495.5]	7500975
		RCF3621STAM	29200 [8.6]	22200 [6.5]	7000 [2.1]	15.5	13	1000 [471.9]	7500980
		RCF3624HTAM	30000 [8.8]	21800 [6.4]	8200 [2.4]	16	13	1100 [519.1]	7500983
		RCF3624MTAM	30000 [8.8]	22100 [6.5]	7900 [2.3]	16	13	1050 [495.5]	7500987
RA1430AJ1	R801TA100521MXA	RCF3621MTAM	31200 [9.1]	23300 [6.8]	7900 [2.3]	16	13	1050 [495.5]	8052813
		RCF3621STAM	29200 [8.6]	22200 [6.5]	7000 [2.1]	15.5	13	1000 [471.9]	8052826
		RCF3624HTAM	32000 [9.4]	23800 [7.0]	8200 [2.4]	16	13	1100 [519.1]	8052837
		RCF3624MTAM	31200 [9.1]	23300 [6.8]	7900 [2.3]	16	13	1050 [495.5]	8052848
RA1430AJ1	R801TA100521ZSA	RCF3621MTAM	30000 [8.8]	21700 [6.4]	8300 [2.4]	16	13	975 [460.1]	7500976
		RCF3621STAM	29400 [8.6]	22300 [6.5]	7100 [2.1]	15.5	13	975 [460.1]	7500981
		RCF3624HTAM	30000 [8.8]	21400 [6.3]	8600 [2.5]	16	13	1025 [483.7]	7500984
		RCF3624MTAM	30000 [8.8]	21700 [6.4]	8300 [2.4]	16	13	975 [460.1]	7500988
RA1430AJ1	R801TA100521ZXA	RCF3621MTAM	30800 [9.0]	22500 [6.6]	8300 [2.4]	16	13	975 [460.1]	8052814
		RCF3621STAM	29400 [8.6]	22300 [6.5]	7100 [2.1]	15.5	13	975 [460.1]	8052827
		RCF3624HTAM	31400 [9.2]	22800 [6.7]	8600 [2.5]	16	13	1025 [483.7]	8052838
		RCF3624MTAM	30800 [9.0]	22500 [6.6]	8300 [2.4]	16	13	975 [460.1]	8052849
RA1430AJ1	R801TA125524ZSA	RCF3624HTAM	30000 [8.8]	21300 [6.2]	8700 [2.5]	16	13	975 [460.1]	7500985
		RCF3624MTAM	30000 [8.8]	21600 [6.3]	8400 [2.5]	16	13	925 [436.6]	7500989
RA1430AJ1	R801TA125524ZXA	RCF3624HTAM	31600 [9.3]	22900 [6.7]	8700 [2.5]	16	13	975 [460.1]	8052839
		RCF3624MTAM	30400 [8.9]	22000 [6.4]	8400 [2.5]	16	13	925 [436.6]	8052850
RA1436AC1	R801TA050314MSA	RCF3617STAM	32400 [9.5]	23000 [6.7]	9400 [2.8]	14	11.5	1000 [471.9]	7501011
RA1436AC1	R801TA050314MXA	RCF3617STAM	32400 [9.5]	23000 [6.7]	9400 [2.8]	14	11.5	1000 [471.9]	8052911
RA1436AC1	R801TA075317ZSA	RCF3617STAM	31800 [9.3]	21800 [6.4]	10000 [2.9]	14	11.5	850 [401.2]	7501012
		RCF3621MTAM	36000 [10.6]	24800 [7.3]	11200 [3.3]	15.5	13	1075 [507.3]	7501014
		RCF3621STAM	31800 [9.3]	21800 [6.4]	10000 [2.9]	14	11.5	850 [401.2]	7501019
RA1436AC1	R801TA075317ZXA	RCF3617STAM	31800 [9.3]	21800 [6.4]	10000 [2.9]	14	11.5	850 [401.2]	8052912
		RCF3621MTAM	36600 [10.7]	25400 [7.4]	11200 [3.3]	15.5	13	1075 [507.3]	8052917
		RCF3621STAM	31800 [9.3]	21800 [6.4]	10000 [2.9]	14	11.5	850 [401.2]	8052930

[] Designates Metric Conversions

Performance Data @ AHRI Standard Conditions – Cooling (con't.)

R801T: Achiever Plus Single-Stage X-13 80% Furnace Ratings									
Outdoor Unit	Furnace	Indoor Coil	Total Capacity BTU/H [kW]	Net Sensible BTU/H [kW]	Net Latent BTU/H [kW]	SEER	EER	Indoor CFM [L/s]	AHRI#
RA1436AC1	R801TA075417MSA	RCF3617STAM	32800 [9.6]	23900 [7.0]	8900 [2.6]	14	11.5	1125 [530.9]	7501013
		RCF3621HTAM	36000 [10.6]	25900 [7.6]	10100 [3.0]	16	13	1200 [566.3]	8083415
		RCF3621MTAM	36000 [10.6]	24800 [7.3]	11200 [3.3]	16	13	1050 [495.5]	7501015
		RCF3621STAM	33000 [9.7]	24200 [7.1]	8800 [2.6]	14	11.5	1150 [542.7]	7501020
RA1436AC1	R801TA075417MXA	RCF3617STAM	32800 [9.6]	23900 [7.0]	8900 [2.6]	14	11.5	1125 [530.9]	8052913
		RCF3621MTAM	36800 [10.8]	25600 [7.5]	11200 [3.3]	16	13	1050 [495.5]	8052918
		RCF3621STAM	33000 [9.7]	24200 [7.1]	8800 [2.6]	14	11.5	1150 [542.7]	8052931
RA1436AC1	R801TA075421MSA	RCF3621HTAM	36000 [10.6]	25900 [7.6]	10100 [3.0]	16	13	1250 [589.9]	8083416
		RCF3621MTAM	36000 [10.6]	25900 [7.6]	10100 [3.0]	16	13	1025 [483.7]	8052919
		RCF3621STAM	34600 [10.1]	24800 [7.3]	9800 [2.9]	15.1	12.5	1000 [471.9]	8052932
		RCF3624HTAM	36000 [10.6]	25900 [7.6]	10100 [3.0]	16	13	1250 [589.9]	8052943
		RCF3624MTAM	36000 [10.6]	25900 [7.6]	10100 [3.0]	16	13	1025 [483.7]	8052955
RA1436AC1	R801TA075521ZSA	RCF3621MTAM	36000 [10.6]	24600 [7.2]	11400 [3.3]	16	13	1000 [471.9]	7501016
		RCF3621STAM	32200 [9.4]	22600 [6.6]	9600 [2.8]	14	11.5	950 [448.4]	7501021
		RCF3624HTAM	36000 [10.6]	25600 [7.5]	10400 [3.0]	16	13	1250 [589.9]	7501024
		RCF3624MTAM	36000 [10.6]	24600 [7.2]	11400 [3.3]	16	13	1000 [471.9]	7501029
RA1436AC1	R801TA075521ZXA	RCF3621MTAM	36600 [10.7]	25200 [7.4]	11400 [3.3]	16	13	1000 [471.9]	8052920
		RCF3621STAM	32200 [9.4]	22600 [6.6]	9600 [2.8]	14	11.5	950 [448.4]	8052933
		RCF3624HTAM	39000 [11.4]	28600 [8.4]	10400 [3.0]	16	13	1250 [589.9]	8052944
		RCF3624MTAM	36600 [10.7]	25200 [7.4]	11400 [3.3]	16	13	1000 [471.9]	8052956
RA1436AC1	R801TA100521MSA	RCF3621HTAM	36000 [10.6]	25900 [7.6]	10100 [3.0]	16	13	1075 [507.3]	8083417
		RCF3621MTAM	36000 [10.6]	24800 [7.3]	11200 [3.3]	16	13	1050 [495.5]	7501017
		RCF3621STAM	32600 [9.6]	23200 [6.8]	9400 [2.8]	14.5	12	1000 [471.9]	7501022
		RCF3624HTAM	36000 [10.6]	24900 [7.3]	11100 [3.3]	16	13	1100 [519.1]	7501025
		RCF3624MTAM	36000 [10.6]	24800 [7.3]	11200 [3.3]	16	13	1050 [495.5]	7501030
RA1436AC1	R801TA100521MXA	RCF3621MTAM	36800 [10.8]	25600 [7.5]	11200 [3.3]	16	13	1050 [495.5]	8052921
		RCF3621STAM	32600 [9.6]	23200 [6.8]	9400 [2.8]	14.5	12	1000 [471.9]	8052934
		RCF3624HTAM	38500 [11.3]	27400 [8.0]	11100 [3.3]	16	13	1100 [519.1]	8052945
		RCF3624MTAM	36800 [10.8]	25600 [7.5]	11200 [3.3]	16	13	1050 [495.5]	8052957
RA1436AC1	R801TA100521ZSA	RCF3621MTAM	36000 [10.6]	24500 [7.2]	11500 [3.4]	16	13	975 [460.1]	7501018
		RCF3621STAM	33000 [9.7]	24200 [7.1]	8800 [2.6]	14	11.5	1175 [554.5]	7501023
		RCF3624HTAM	36000 [10.6]	25600 [7.5]	10400 [3.0]	16	13	1250 [589.9]	7501026
		RCF3624MTAM	36000 [10.6]	24500 [7.2]	11500 [3.4]	16	13	975 [460.1]	7501031
RA1436AC1	R801TA100521ZXA	RCF3621MTAM	36400 [10.7]	24900 [7.3]	11500 [3.4]	16	13	975 [460.1]	8052922
		RCF3621STAM	33000 [9.7]	24200 [7.1]	8800 [2.6]	14	11.5	1175 [554.5]	8052935
		RCF3624HTAM	39000 [11.4]	28600 [8.4]	10400 [3.0]	16	13	1250 [589.9]	8052946
		RCF3624MTAM	36400 [10.7]	24900 [7.3]	11500 [3.4]	16	13	975 [460.1]	8052958
RA1436AC1	R801TA125524MSA	RCF3624HTAM	36000 [10.6]	25300 [7.4]	10700 [3.1]	16	13	1200 [566.3]	7501027
		RCF3624MTAM	36000 [10.6]	25400 [7.4]	10600 [3.1]	16	13	1175 [554.5]	7501032
RA1436AC1	R801TA125524MXA	RCF3624HTAM	39000 [11.4]	28300 [8.3]	10700 [3.1]	16	13	1200 [566.3]	8052947
		RCF3624MTAM	37600 [11.0]	27000 [7.9]	10600 [3.1]	16	13	1175 [554.5]	8052959
RA1436AC1	R801TA125524ZSA	RCF3624HTAM	36000 [10.6]	25100 [7.4]	10900 [3.2]	16	13	1150 [542.7]	7501028
		RCF3624MTAM	36000 [10.6]	25000 [7.3]	11000 [3.2]	16	13	1100 [519.1]	7501033
RA1436AC1	R801TA125524ZXA	RCF3624HTAM	38500 [11.3]	27600 [8.1]	10900 [3.2]	16	13	1150 [542.7]	8052948
		RCF3624MTAM	37000 [10.8]	26000 [7.6]	11000 [3.2]	16	13	1100 [519.1]	8052960
RA1436AD1	R801TA050314MSA	RCF3617STAM	32400 [9.5]	23000 [6.7]	9400 [2.8]	14	11.5	1000 [471.9]	7599735
RA1436AD1	R801TA050314MXA	RCF3617STAM	32400 [9.5]	23000 [6.7]	9400 [2.8]	14	11.5	1000 [471.9]	8053024

[] Designates Metric Conversions

Performance Data @ AHRI Standard Conditions – Cooling (con't.)

R801T: Achiever Plus Single-Stage X-13 80% Furnace Ratings									
Outdoor Unit	Furnace	Indoor Coil	Total Capacity BTU/H [kW]	Net Sensible BTU/H [kW]	Net Latent BTU/H [kW]	SEER	EER	Indoor CFM [L/s]	AHRI#
RA1436AD1	R801TA075317ZSA	RCF3617STAM	31800 [9.3]	21800 [6.4]	10000 [2.9]	14	11.5	850 [401.2]	7599736
		RCF3621MTAM	36000 [10.6]	24800 [7.3]	11200 [3.3]	15.5	13	1075 [507.3]	7599758
		RCF3621STAM	31800 [9.3]	21800 [6.4]	10000 [2.9]	14	11.5	850 [401.2]	7599799
RA1436AD1	R801TA075317ZXA	RCF3617STAM	31800 [9.3]	21800 [6.4]	10000 [2.9]	14	11.5	850 [401.2]	8053025
		RCF3621MTAM	36600 [10.7]	25400 [7.4]	11200 [3.3]	15.5	13	1075 [507.3]	8053030
		RCF3621STAM	31800 [9.3]	21800 [6.4]	10000 [2.9]	14	11.5	850 [401.2]	8053043
RA1436AD1	R801TA075417MSA	RCF3617STAM	32800 [9.6]	23900 [7.0]	8900 [2.6]	14	11.5	1125 [530.9]	7599737
		RCF3621HTAM	36000 [10.6]	25900 [7.6]	10100 [3.0]	16	13	1200 [566.3]	8083441
		RCF3621MTAM	36000 [10.6]	24800 [7.3]	11200 [3.3]	16	13	1050 [495.5]	7599759
		RCF3621STAM	33000 [9.7]	24200 [7.1]	8800 [2.6]	14	11.5	1150 [542.7]	7599800
RA1436AD1	R801TA075417MXA	RCF3617STAM	32800 [9.6]	23900 [7.0]	8900 [2.6]	14	11.5	1125 [530.9]	8053026
		RCF3621MTAM	36800 [10.8]	25600 [7.5]	11200 [3.3]	16	13	1050 [495.5]	8053031
		RCF3621STAM	33000 [9.7]	24200 [7.1]	8800 [2.6]	14	11.5	1150 [542.7]	8053044
RA1436AD1	R801TA075421MSA	RCF3621HTAM	36000 [10.6]	25900 [7.6]	10100 [3.0]	16	13	1250 [589.9]	8083442
		RCF3621MTAM	36000 [10.6]	25900 [7.6]	10100 [3.0]	16	13	1025 [483.7]	8053032
		RCF3621STAM	34600 [10.1]	24800 [7.3]	9800 [2.9]	15.1	12.5	1000 [471.9]	8053045
		RCF3624HTAM	36000 [10.6]	25900 [7.6]	10100 [3.0]	16	13	1250 [589.9]	8053056
		RCF3624MTAM	36000 [10.6]	25900 [7.6]	10100 [3.0]	16	13	1025 [483.7]	8053068
RA1436AD1	R801TA075521ZSA	RCF3621MTAM	36000 [10.6]	24600 [7.2]	11400 [3.3]	16	13	1000 [471.9]	7599760
		RCF3621STAM	32200 [9.4]	22600 [6.6]	9600 [2.8]	14	11.5	950 [448.4]	7599801
		RCF3624HTAM	36000 [10.6]	25600 [7.5]	10400 [3.0]	16	13	1250 [589.9]	7599840
		RCF3624MTAM	36000 [10.6]	24600 [7.2]	11400 [3.3]	16	13	1000 [471.9]	7599873
RA1436AD1	R801TA075521ZXA	RCF3621MTAM	36600 [10.7]	25200 [7.4]	11400 [3.3]	16	13	1000 [471.9]	8053033
		RCF3621STAM	32200 [9.4]	22600 [6.6]	9600 [2.8]	14	11.5	950 [448.4]	8053046
		RCF3624HTAM	39000 [11.4]	28600 [8.4]	10400 [3.0]	16	13	1250 [589.9]	8053057
		RCF3624MTAM	36600 [10.7]	25200 [7.4]	11400 [3.3]	16	13	1000 [471.9]	8053069
RA1436AD1	R801TA100521MSA	RCF3621HTAM	36000 [10.6]	25900 [7.6]	10100 [3.0]	16	13	1075 [507.3]	8083443
		RCF3621MTAM	36000 [10.6]	24800 [7.3]	11200 [3.3]	16	13	1050 [495.5]	7599761
		RCF3621STAM	32600 [9.6]	23200 [6.8]	9400 [2.8]	14.5	12	1000 [471.9]	7599802
		RCF3624HTAM	36000 [10.6]	24900 [7.3]	11100 [3.3]	16	13	1100 [519.1]	7599841
		RCF3624MTAM	36000 [10.6]	24800 [7.3]	11200 [3.3]	16	13	1050 [495.5]	7599874
RA1436AD1	R801TA100521MXA	RCF3621MTAM	36800 [10.8]	25600 [7.5]	11200 [3.3]	16	13	1050 [495.5]	8053034
		RCF3621STAM	32600 [9.6]	23200 [6.8]	9400 [2.8]	14.5	12	1000 [471.9]	8053047
		RCF3624HTAM	38500 [11.3]	27400 [8.0]	11100 [3.3]	16	13	1100 [519.1]	8053058
		RCF3624MTAM	36800 [10.8]	25600 [7.5]	11200 [3.3]	16	13	1050 [495.5]	8053070
RA1436AD1	R801TA100521ZSA	RCF3621MTAM	36000 [10.6]	24500 [7.2]	11500 [3.4]	16	13	975 [460.1]	7599762
		RCF3621STAM	33000 [9.7]	24200 [7.1]	8800 [2.6]	14	11.5	1175 [554.5]	7599803
		RCF3624HTAM	36000 [10.6]	25600 [7.5]	10400 [3.0]	16	13	1250 [589.9]	7599842
		RCF3624MTAM	36000 [10.6]	24500 [7.2]	11500 [3.4]	16	13	975 [460.1]	7599875
RA1436AD1	R801TA100521ZXA	RCF3621MTAM	36400 [10.7]	24900 [7.3]	11500 [3.4]	16	13	975 [460.1]	8053035
		RCF3621STAM	33000 [9.7]	24200 [7.1]	8800 [2.6]	14	11.5	1175 [554.5]	8053048
		RCF3624HTAM	39000 [11.4]	28600 [8.4]	10400 [3.0]	16	13	1250 [589.9]	8053059
		RCF3624MTAM	36400 [10.7]	24900 [7.3]	11500 [3.4]	16	13	975 [460.1]	8053071
RA1436AD1	R801TA125524MSA	RCF3624HTAM	36000 [10.6]	25300 [7.4]	10700 [3.1]	16	13	1200 [566.3]	7599843
		RCF3624MTAM	36000 [10.6]	25400 [7.4]	10600 [3.1]	16	13	1175 [554.5]	7599876
RA1436AD1	R801TA125524MXA	RCF3624HTAM	39000 [11.4]	28300 [8.3]	10700 [3.1]	16	13	1200 [566.3]	8053060
		RCF3624MTAM	37600 [11.0]	27000 [7.9]	10600 [3.1]	16	13	1175 [554.5]	8053072

[] Designates Metric Conversions

Performance Data @ AHRI Standard Conditions – Cooling (con't.)

R801T: Achiever Plus Single-Stage X-13 80% Furnace Ratings									
Outdoor Unit	Furnace	Indoor Coil	Total Capacity BTU/H [kW]	Net Sensible BTU/H [kW]	Net Latent BTU/H [kW]	SEER	EER	Indoor CFM [L/s]	AHRI#
RA1436AD1	R801TA125524ZSA	RCF3624HTAM	36000 [10.6]	25100 [7.4]	10900 [3.2]	16	13	1150 [542.7]	7599844
		RCF3624MTAM	36000 [10.6]	25000 [7.3]	11000 [3.2]	16	13	1100 [519.1]	7599877
RA1436AD1	R801TA125524ZXA	RCF3624HTAM	38500 [11.3]	27600 [8.1]	10900 [3.2]	16	13	1150 [542.7]	8053061
		RCF3624MTAM	37000 [10.8]	26000 [7.6]	11000 [3.2]	16	13	1100 [519.1]	8053073
RA1436AJ1	R801TA050314MSA	RCF3617STAM	32400 [9.5]	23000 [6.7]	9400 [2.8]	14	11.5	1000 [471.9]	7501056
RA1436AJ1	R801TA050314MXA	RCF3617STAM	32400 [9.5]	23000 [6.7]	9400 [2.8]	14	11.5	1000 [471.9]	8053137
RA1436AJ1	R801TA075317ZSA	RCF3617STAM	31800 [9.3]	21800 [6.4]	10000 [2.9]	14	11.5	850 [401.2]	7501057
		RCF3621MTAM	36000 [10.6]	24800 [7.3]	11200 [3.3]	15.5	13	1075 [507.3]	7501059
		RCF3621STAM	31800 [9.3]	21800 [6.4]	10000 [2.9]	14	11.5	850 [401.2]	7501064
RA1436AJ1	R801TA075317ZXA	RCF3617STAM	31800 [9.3]	21800 [6.4]	10000 [2.9]	14	11.5	850 [401.2]	8053138
		RCF3621MTAM	36600 [10.7]	25400 [7.4]	11200 [3.3]	15.5	13	1075 [507.3]	8053143
		RCF3621STAM	31800 [9.3]	21800 [6.4]	10000 [2.9]	14	11.5	850 [401.2]	8053156
RA1436AJ1	R801TA075417MSA	RCF3617STAM	32800 [9.6]	23900 [7.0]	8900 [2.6]	14	11.5	1125 [530.9]	7501058
		RCF3621HTAM	36000 [10.6]	25900 [7.6]	10100 [3.0]	16	13	1200 [566.3]	8083467
		RCF3621MTAM	36000 [10.6]	24800 [7.3]	11200 [3.3]	16	13	1050 [495.5]	7501060
		RCF3621STAM	33000 [9.7]	24200 [7.1]	8800 [2.6]	14	11.5	1150 [542.7]	7501065
RA1436AJ1	R801TA075417MXA	RCF3617STAM	32800 [9.6]	23900 [7.0]	8900 [2.6]	14	11.5	1125 [530.9]	8053139
		RCF3621MTAM	36800 [10.8]	25600 [7.5]	11200 [3.3]	16	13	1050 [495.5]	8053144
		RCF3621STAM	33000 [9.7]	24200 [7.1]	8800 [2.6]	14	11.5	1150 [542.7]	8053157
RA1436AJ1	R801TA075421MSA	RCF3621HTAM	36000 [10.6]	25900 [7.6]	10100 [3.0]	16	13	1250 [589.9]	8083468
		RCF3621MTAM	36000 [10.6]	25900 [7.6]	10100 [3.0]	16	13	1025 [483.7]	8053145
		RCF3621STAM	34600 [10.1]	24800 [7.3]	9800 [2.9]	15.1	12.5	1000 [471.9]	8053158
		RCF3624HTAM	36000 [10.6]	25900 [7.6]	10100 [3.0]	16	13	1250 [589.9]	8053169
		RCF3624MTAM	36000 [10.6]	25900 [7.6]	10100 [3.0]	16	13	1025 [483.7]	8053181
RA1436AJ1	R801TA075521ZSA	RCF3621MTAM	36000 [10.6]	24600 [7.2]	11400 [3.3]	16	13	1000 [471.9]	7501061
		RCF3621STAM	32200 [9.4]	22600 [6.6]	9600 [2.8]	14	11.5	950 [448.4]	7501066
		RCF3624HTAM	36000 [10.6]	25600 [7.5]	10400 [3.0]	16	13	1250 [589.9]	7501069
		RCF3624MTAM	36000 [10.6]	24600 [7.2]	11400 [3.3]	16	13	1000 [471.9]	7501074
RA1436AJ1	R801TA075521ZXA	RCF3621MTAM	36600 [10.7]	25200 [7.4]	11400 [3.3]	16	13	1000 [471.9]	8053146
		RCF3621STAM	32200 [9.4]	22600 [6.6]	9600 [2.8]	14	11.5	950 [448.4]	8053159
		RCF3624HTAM	39000 [11.4]	28600 [8.4]	10400 [3.0]	16	13	1250 [589.9]	8053170
		RCF3624MTAM	36600 [10.7]	25200 [7.4]	11400 [3.3]	16	13	1000 [471.9]	8053182
RA1436AJ1	R801TA100521MSA	RCF3621HTAM	36000 [10.6]	25900 [7.6]	10100 [3.0]	16	13	1075 [507.3]	8083469
		RCF3621MTAM	36000 [10.6]	24800 [7.3]	11200 [3.3]	16	13	1050 [495.5]	7501062
		RCF3621STAM	32600 [9.6]	23200 [6.8]	9400 [2.8]	14.5	12	1000 [471.9]	7501067
		RCF3624HTAM	36000 [10.6]	24900 [7.3]	11100 [3.3]	16	13	1100 [519.1]	7501070
		RCF3624MTAM	36000 [10.6]	24800 [7.3]	11200 [3.3]	16	13	1050 [495.5]	7501075
RA1436AJ1	R801TA100521MXA	RCF3621MTAM	36800 [10.8]	25600 [7.5]	11200 [3.3]	16	13	1050 [495.5]	8053147
		RCF3621STAM	32600 [9.6]	23200 [6.8]	9400 [2.8]	14.5	12	1000 [471.9]	8053160
		RCF3624HTAM	38500 [11.3]	27400 [8.0]	11100 [3.3]	16	13	1100 [519.1]	8053171
		RCF3624MTAM	36800 [10.8]	25600 [7.5]	11200 [3.3]	16	13	1050 [495.5]	8053183
RA1436AJ1	R801TA100521ZSA	RCF3621MTAM	36000 [10.6]	24500 [7.2]	11500 [3.4]	16	13	975 [460.1]	7501063
		RCF3621STAM	33000 [9.7]	24200 [7.1]	8800 [2.6]	14	11.5	1175 [554.5]	7501068
		RCF3624HTAM	36000 [10.6]	25600 [7.5]	10400 [3.0]	16	13	1250 [589.9]	7501071
		RCF3624MTAM	36000 [10.6]	24500 [7.2]	11500 [3.4]	16	13	975 [460.1]	7501076
RA1436AJ1	R801TA100521ZXA	RCF3621MTAM	36400 [10.7]	24900 [7.3]	11500 [3.4]	16	13	975 [460.1]	8053148
		RCF3621STAM	33000 [9.7]	24200 [7.1]	8800 [2.6]	14	11.5	1175 [554.5]	8053161
		RCF3624HTAM	39000 [11.4]	28600 [8.4]	10400 [3.0]	16	13	1250 [589.9]	8053172
		RCF3624MTAM	36400 [10.7]	24900 [7.3]	11500 [3.4]	16	13	975 [460.1]	8053184

[] Designates Metric Conversions

Performance Data @ AHRI Standard Conditions – Cooling (con't.)

R801T: Achiever Plus Single-Stage X-13 80% Furnace Ratings									
Outdoor Unit	Furnace	Indoor Coil	Total Capacity BTU/H [kW]	Net Sensible BTU/H [kW]	Net Latent BTU/H [kW]	SEER	EER	Indoor CFM [L/s]	AHRI#
RA1436AJ1	R801TA125524MSA	RCF3624HTAM	36000 [10.6]	25300 [7.4]	10700 [3.1]	16	13	1200 [566.3]	7501072
		RCF3624MTAM	36000 [10.6]	25400 [7.4]	10600 [3.1]	16	13	1175 [554.5]	7501077
RA1436AJ1	R801TA125524MXA	RCF3624HTAM	39000 [11.4]	28300 [8.3]	10700 [3.1]	16	13	1200 [566.3]	8053173
		RCF3624MTAM	37600 [11.0]	27000 [7.9]	10600 [3.1]	16	13	1175 [554.5]	8053185
RA1436AJ1	R801TA125524ZSA	RCF3624HTAM	36000 [10.6]	25100 [7.4]	10900 [3.2]	16	13	1150 [542.7]	7501073
		RCF3624MTAM	36000 [10.6]	25000 [7.3]	11000 [3.2]	16	13	1100 [519.1]	7501078
RA1436AJ1	R801TA125524ZXA	RCF3624HTAM	38500 [11.3]	27600 [8.1]	10900 [3.2]	16	13	1150 [542.7]	8053174
		RCF3624MTAM	37000 [10.8]	26000 [7.6]	11000 [3.2]	16	13	1100 [519.1]	8053186
RA1442AC1	R801TA075317ZSA	RCF4821STAM	38500 [11.3]	26500 [7.8]	12000 [3.5]	14	11.5	1075 [507.3]	7501101
RA1442AC1	R801TA075317ZXA	RCF4821STAM	38500 [11.3]	26500 [7.8]	12000 [3.5]	14	11.5	1075 [507.3]	8053250
RA1442AC1	R801TA075417MSA	RCF4821MTAM	42000 [12.3]	31600 [9.3]	10400 [3.0]	15.1	12.5	1300 [613.5]	8083493
		RCF4821STAM	39500 [11.6]	28500 [8.4]	11000 [3.2]	14	11.5	1275 [601.7]	7501102
RA1442AC1	R801TA075417MXA	RCF4821STAM	39500 [11.6]	28500 [8.4]	11000 [3.2]	14	11.5	1275 [601.7]	8053251
RA1442AC1	R801TA075421MSA	RCF4821MTAM	42000 [12.3]	31600 [9.3]	10400 [3.0]	15.1	12.5	1425 [672.5]	8083494
		RCF4821STAM	41000 [12.0]	29400 [8.6]	11600 [3.4]	15	12.5	1200 [566.3]	8053252
		RCF4824HTAM	42000 [12.3]	31600 [9.3]	10400 [3.0]	15.5	13	1250 [589.9]	8053263
		RCF4824STAM	41000 [12.0]	29400 [8.6]	11600 [3.4]	15	12.5	1200 [566.3]	8053275
RA1442AC1	R801TA075521ZSA	RCF4821STAM	39000 [11.4]	27800 [8.1]	11200 [3.3]	14	11.5	1225 [578.1]	7501103
		RCF4824HTAM	42000 [12.3]	28700 [8.4]	13300 [3.9]	15.5	13	1250 [589.9]	7501106
		RCF4824STAM	39000 [11.4]	27800 [8.1]	11200 [3.3]	14	11.5	1225 [578.1]	7501111
RA1442AC1	R801TA075521ZXA	RCF4821STAM	39000 [11.4]	27800 [8.1]	11200 [3.3]	14	11.5	1225 [578.1]	8053253
		RCF4824HTAM	43000 [12.6]	29700 [8.7]	13300 [3.9]	15.5	13	1250 [589.9]	8053264
		RCF4824STAM	39000 [11.4]	27800 [8.1]	11200 [3.3]	14	11.5	1225 [578.1]	8053276
RA1442AC1	R801TA100521MSA	RCF4821MTAM	42000 [12.3]	31600 [9.3]	10400 [3.0]	15.5	13	1325 [625.3]	8083495
		RCF4821STAM	38500 [11.3]	26400 [7.7]	12100 [3.5]	14.5	12	1050 [495.5]	7501104
		RCF4824HTAM	42000 [12.3]	29700 [8.7]	12300 [3.6]	15.5	13	1425 [672.5]	7501107
		RCF4824STAM	38500 [11.3]	26400 [7.7]	12100 [3.5]	14.5	12	1050 [495.5]	7501112
RA1442AC1	R801TA100521MXA	RCF4821STAM	38500 [11.3]	26400 [7.7]	12100 [3.5]	14.5	12	1050 [495.5]	8053254
		RCF4824HTAM	44000 [12.9]	31700 [9.3]	12300 [3.6]	15.5	13	1425 [672.5]	8053265
		RCF4824STAM	38500 [11.3]	26400 [7.7]	12100 [3.5]	14.5	12	1050 [495.5]	8053277
RA1442AC1	R801TA100521ZSA	RCF4821STAM	39500 [11.6]	28300 [8.3]	11200 [3.3]	14	11.5	1225 [578.1]	7501105
		RCF4824HTAM	42000 [12.3]	28600 [8.4]	13400 [3.9]	15.5	13	1225 [578.1]	7501108
		RCF4824STAM	39500 [11.6]	28300 [8.3]	11200 [3.3]	14	11.5	1225 [578.1]	7501113
RA1442AC1	R801TA100521ZXA	RCF4821STAM	39500 [11.6]	28300 [8.3]	11200 [3.3]	14	11.5	1225 [578.1]	8053255
		RCF4824HTAM	43000 [12.6]	29600 [8.7]	13400 [3.9]	15.5	13	1225 [578.1]	8053266
		RCF4824STAM	39500 [11.6]	28300 [8.3]	11200 [3.3]	14	11.5	1225 [578.1]	8053278
RA1442AC1	R801TA125524MSA	RCF4824HTAM	42000 [12.3]	29400 [8.6]	12600 [3.7]	15.5	13	1375 [648.9]	7501109
		RCF4824STAM	39000 [11.4]	27500 [8.1]	11500 [3.4]	14.5	12	1175 [554.5]	7501114
RA1442AC1	R801TA125524MXA	RCF4824HTAM	43500 [12.7]	30900 [9.1]	12600 [3.7]	15.5	13	1375 [648.9]	8053267
		RCF4824STAM	39000 [11.4]	27500 [8.1]	11500 [3.4]	14.5	12	1175 [554.5]	8053279
RA1442AC1	R801TA125524ZSA	RCF4824HTAM	42000 [12.3]	29400 [8.6]	12600 [3.7]	15.5	13	1375 [648.9]	7501110
		RCF4824STAM	40000 [11.7]	29400 [8.6]	10600 [3.1]	14	11.5	1350 [637.1]	7501115
RA1442AC1	R801TA125524ZXA	RCF4824HTAM	43500 [12.7]	30900 [9.1]	12600 [3.7]	15.5	13	1375 [648.9]	8053268
		RCF4824STAM	40000 [11.7]	29400 [8.6]	10600 [3.1]	14	11.5	1350 [637.1]	8053280
RA1442AD1	R801TA075317ZSA	RCF4821STAM	38500 [11.3]	26500 [7.8]	12000 [3.5]	14	11.5	1075 [507.3]	7600274
RA1442AD1	R801TA075317ZXA	RCF4821STAM	38500 [11.3]	26500 [7.8]	12000 [3.5]	14	11.5	1075 [507.3]	8053323
RA1442AD1	R801TA075417MSA	RCF4821MTAM	42000 [12.3]	31600 [9.3]	10400 [3.0]	15.1	12.5	1300 [613.5]	8083521
		RCF4821STAM	39500 [11.6]	28500 [8.4]	11000 [3.2]	14	11.5	1275 [601.7]	7600275

[] Designates Metric Conversions

Performance Data @ AHRI Standard Conditions – Cooling (con't.)

R801T: Achiever Plus Single-Stage X-13 80% Furnace Ratings									
Outdoor Unit	Furnace	Indoor Coil	Total Capacity BTU/H [kW]	Net Sensible BTU/H [kW]	Net Latent BTU/H [kW]	SEER	EER	Indoor CFM [L/s]	AHRI#
RA1442AD1	R801TA075417MXA	RCF4821STAM	39500 [11.6]	28500 [8.4]	11000 [3.2]	14	11.5	1275 [601.7]	8053324
RA1442AD1	R801TA075421MSA	RCF4821MTAM	42000 [12.3]	31600 [9.3]	10400 [3.0]	15.1	12.5	1425 [672.5]	8083522
		RCF4821STAM	41000 [12.0]	29400 [8.6]	11600 [3.4]	15	12.5	1200 [566.3]	8053325
		RCF4824HTAM	42000 [12.3]	31600 [9.3]	10400 [3.0]	15.5	13	1250 [589.9]	8053336
		RCF4824STAM	41000 [12.0]	29400 [8.6]	11600 [3.4]	15	12.5	1200 [566.3]	8053348
RA1442AD1	R801TA075521ZSA	RCF4821STAM	39000 [11.4]	27800 [8.1]	11200 [3.3]	14	11.5	1225 [578.1]	7600276
		RCF4824HTAM	42000 [12.3]	28700 [8.4]	13300 [3.9]	15.5	13	1250 [589.9]	7600312
		RCF4824STAM	39000 [11.4]	27800 [8.1]	11200 [3.3]	14	11.5	1225 [578.1]	7600348
RA1442AD1	R801TA075521ZXA	RCF4821STAM	39000 [11.4]	27800 [8.1]	11200 [3.3]	14	11.5	1225 [578.1]	8053326
		RCF4824HTAM	43000 [12.6]	29700 [8.7]	13300 [3.9]	15.5	13	1250 [589.9]	8053337
		RCF4824STAM	39000 [11.4]	27800 [8.1]	11200 [3.3]	14	11.5	1225 [578.1]	8053349
RA1442AD1	R801TA100521MSA	RCF4821MTAM	42000 [12.3]	31600 [9.3]	10400 [3.0]	15.5	13	1325 [625.3]	8083523
		RCF4821STAM	38500 [11.3]	26400 [7.7]	12100 [3.5]	14.5	12	1050 [495.5]	7600277
		RCF4824HTAM	42000 [12.3]	29700 [8.7]	12300 [3.6]	15.5	13	1425 [672.5]	7600313
		RCF4824STAM	38500 [11.3]	26400 [7.7]	12100 [3.5]	14.5	12	1050 [495.5]	7600349
RA1442AD1	R801TA100521MXA	RCF4821STAM	38500 [11.3]	26400 [7.7]	12100 [3.5]	14.5	12	1050 [495.5]	8053327
		RCF4824HTAM	44000 [12.9]	31700 [9.3]	12300 [3.6]	15.5	13	1425 [672.5]	8053338
		RCF4824STAM	38500 [11.3]	26400 [7.7]	12100 [3.5]	14.5	12	1050 [495.5]	8053350
RA1442AD1	R801TA100521ZSA	RCF4821STAM	39500 [11.6]	28300 [8.3]	11200 [3.3]	14	11.5	1225 [578.1]	7600278
		RCF4824HTAM	42000 [12.3]	28600 [8.4]	13400 [3.9]	15.5	13	1225 [578.1]	7600314
		RCF4824STAM	39500 [11.6]	28300 [8.3]	11200 [3.3]	14	11.5	1225 [578.1]	7600350
RA1442AD1	R801TA100521ZXA	RCF4821STAM	39500 [11.6]	28300 [8.3]	11200 [3.3]	14	11.5	1225 [578.1]	8053328
		RCF4824HTAM	43000 [12.6]	29600 [8.7]	13400 [3.9]	15.5	13	1225 [578.1]	8053339
		RCF4824STAM	39500 [11.6]	28300 [8.3]	11200 [3.3]	14	11.5	1225 [578.1]	8053351
RA1442AD1	R801TA125524MSA	RCF4824HTAM	42000 [12.3]	29400 [8.6]	12600 [3.7]	15.5	13	1375 [648.9]	7600315
		RCF4824STAM	39000 [11.4]	27500 [8.1]	11500 [3.4]	14.5	12	1175 [554.5]	7600351
RA1442AD1	R801TA125524MXA	RCF4824HTAM	43500 [12.7]	30900 [9.1]	12600 [3.7]	15.5	13	1375 [648.9]	8053340
		RCF4824STAM	39000 [11.4]	27500 [8.1]	11500 [3.4]	14.5	12	1175 [554.5]	8053352
RA1442AD1	R801TA125524ZSA	RCF4824HTAM	42000 [12.3]	29400 [8.6]	12600 [3.7]	15.5	13	1375 [648.9]	7600316
		RCF4824STAM	40000 [11.7]	29400 [8.6]	10600 [3.1]	14	11.5	1350 [637.1]	7600352
RA1442AD1	R801TA125524ZXA	RCF4824HTAM	43500 [12.7]	30900 [9.1]	12600 [3.7]	15.5	13	1375 [648.9]	8053341
		RCF4824STAM	40000 [11.7]	29400 [8.6]	10600 [3.1]	14	11.5	1350 [637.1]	8053353
RA1442AJ1	R801TA075317ZSA	RCF4821STAM	38500 [11.3]	26500 [7.8]	12000 [3.5]	14	11.5	1075 [507.3]	7501130
RA1442AJ1	R801TA075317ZXA	RCF4821STAM	38500 [11.3]	26500 [7.8]	12000 [3.5]	14	11.5	1075 [507.3]	8053396
RA1442AJ1	R801TA075417MSA	RCF4821MTAM	42000 [12.3]	31600 [9.3]	10400 [3.0]	15.1	12.5	1300 [613.5]	8083550
		RCF4821STAM	39500 [11.6]	28500 [8.4]	11000 [3.2]	14	11.5	1275 [601.7]	7501131
RA1442AJ1	R801TA075417MXA	RCF4821STAM	39500 [11.6]	28500 [8.4]	11000 [3.2]	14	11.5	1275 [601.7]	8053397
RA1442AJ1	R801TA075421MSA	RCF4821MTAM	42000 [12.3]	31600 [9.3]	10400 [3.0]	15.1	12.5	1425 [672.5]	8083551
		RCF4821STAM	41000 [12.0]	29400 [8.6]	11600 [3.4]	15	12.5	1200 [566.3]	8053398
		RCF4824HTAM	42000 [12.3]	31600 [9.3]	10400 [3.0]	15.5	13	1250 [589.9]	8053409
		RCF4824STAM	41000 [12.0]	29400 [8.6]	11600 [3.4]	15	12.5	1200 [566.3]	8053421
RA1442AJ1	R801TA075521ZSA	RCF4821STAM	39000 [11.4]	27800 [8.1]	11200 [3.3]	14	11.5	1225 [578.1]	7501132
		RCF4824HTAM	42000 [12.3]	28700 [8.4]	13300 [3.9]	15.5	13	1250 [589.9]	7501135
		RCF4824STAM	39000 [11.4]	27800 [8.1]	11200 [3.3]	14	11.5	1225 [578.1]	7501140
RA1442AJ1	R801TA075521ZXA	RCF4821STAM	39000 [11.4]	27800 [8.1]	11200 [3.3]	14	11.5	1225 [578.1]	8053399
		RCF4824HTAM	43000 [12.6]	29700 [8.7]	13300 [3.9]	15.5	13	1250 [589.9]	8053410
		RCF4824STAM	39000 [11.4]	27800 [8.1]	11200 [3.3]	14	11.5	1225 [578.1]	8053422

[] Designates Metric Conversions

Performance Data @ AHRI Standard Conditions – Cooling (con't.)

R801T: Achiever Plus Single-Stage X-13 80% Furnace Ratings									
Outdoor Unit	Furnace	Indoor Coil	Total Capacity BTU/H [kW]	Net Sensible BTU/H [kW]	Net Latent BTU/H [kW]	SEER	EER	Indoor CFM [L/s]	AHRI#
RA1442AJ1	R801TA100521MSA	RCF4821MTAM	42000 [12.3]	31600 [9.3]	10400 [3.0]	15.5	13	1325 [625.3]	8083552
		RCF4821STAM	38500 [11.3]	26400 [7.7]	12100 [3.5]	14.5	12	1050 [495.5]	7501133
		RCF4824HTAM	42000 [12.3]	29700 [8.7]	12300 [3.6]	15.5	13	1425 [672.5]	7501136
		RCF4824STAM	38500 [11.3]	26400 [7.7]	12100 [3.5]	14.5	12	1050 [495.5]	7501141
RA1442AJ1	R801TA100521MXA	RCF4821STAM	38500 [11.3]	26400 [7.7]	12100 [3.5]	14.5	12	1050 [495.5]	8053400
		RCF4824HTAM	44000 [12.9]	31700 [9.3]	12300 [3.6]	15.5	13	1425 [672.5]	8053411
		RCF4824STAM	38500 [11.3]	26400 [7.7]	12100 [3.5]	14.5	12	1050 [495.5]	8053423
RA1442AJ1	R801TA100521ZSA	RCF4821STAM	39500 [11.6]	28300 [8.3]	11200 [3.3]	14	11.5	1225 [578.1]	7501134
		RCF4824HTAM	42000 [12.3]	28600 [8.4]	13400 [3.9]	15.5	13	1225 [578.1]	7501137
		RCF4824STAM	39500 [11.6]	28300 [8.3]	11200 [3.3]	14	11.5	1225 [578.1]	7501142
RA1442AJ1	R801TA100521ZXA	RCF4821STAM	39500 [11.6]	28300 [8.3]	11200 [3.3]	14	11.5	1225 [578.1]	8053401
		RCF4824HTAM	43000 [12.6]	29600 [8.7]	13400 [3.9]	15.5	13	1225 [578.1]	8053412
		RCF4824STAM	39500 [11.6]	28300 [8.3]	11200 [3.3]	14	11.5	1225 [578.1]	8053424
RA1442AJ1	R801TA125524MSA	RCF4824HTAM	42000 [12.3]	29400 [8.6]	12600 [3.7]	15.5	13	1375 [648.9]	7501138
		RCF4824STAM	39000 [11.4]	27500 [8.1]	11500 [3.4]	14.5	12	1175 [554.5]	7501143
RA1442AJ1	R801TA125524MXA	RCF4824HTAM	43500 [12.7]	30900 [9.1]	12600 [3.7]	15.5	13	1375 [648.9]	8053413
		RCF4824STAM	39000 [11.4]	27500 [8.1]	11500 [3.4]	14.5	12	1175 [554.5]	8053425
RA1442AJ1	R801TA125524ZSA	RCF4824HTAM	42000 [12.3]	29400 [8.6]	12600 [3.7]	15.5	13	1375 [648.9]	7501139
		RCF4824STAM	40000 [11.7]	29400 [8.6]	10600 [3.1]	14	11.5	1350 [637.1]	7501144
RA1442AJ1	R801TA125524ZXA	RCF4824HTAM	43500 [12.7]	30900 [9.1]	12600 [3.7]	15.5	13	1375 [648.9]	8053414
		RCF4824STAM	40000 [11.7]	29400 [8.6]	10600 [3.1]	14	11.5	1350 [637.1]	8053426
RA1448AC1	R801TA075317ZSA	RCF4821STAM	45500 [13.3]	32500 [9.5]	13000 [3.8]	14	11.7	1325 [625.3]	7501159
RA1448AC1	R801TA075317ZXA	RCF4821STAM	45500 [13.3]	32500 [9.5]	13000 [3.8]	14	11.7	1325 [625.3]	8053469
RA1448AC1	R801TA075417MSA	RCF4821MTAM	47000 [13.8]	32700 [9.6]	14300 [4.2]	14.5	12	1450 [684.3]	8083580
		RCF4821STAM	45500 [13.3]	32200 [9.4]	13300 [3.9]	14.5	12	1275 [601.7]	7501160
RA1448AC1	R801TA075417MXA	RCF4821STAM	45500 [13.3]	32200 [9.4]	13300 [3.9]	14.5	12	1275 [601.7]	8053470
RA1448AC1	R801TA075421MSA	RCF4821MTAM	47000 [13.8]	32500 [9.5]	14500 [4.2]	14.5	12	1425 [672.5]	8083582
		RCF4821STAM	46000 [13.5]	33400 [9.8]	12600 [3.7]	14.5	12	1400 [660.7]	8053471
		RCF4824HTAM	48000 [14.1]	33600 [9.8]	14400 [4.2]	15	12.5	1425 [672.5]	8053480
		RCF4824STAM	46000 [13.5]	33400 [9.8]	12600 [3.7]	14.5	12	1400 [660.7]	8053495
RA1448AC1	R801TA075521ZSA	RCF4821STAM	45000 [13.2]	31200 [9.1]	13800 [4.0]	14.5	12	1200 [566.3]	7501161
		RCF4824HTAM	48000 [14.1]	33800 [9.9]	14200 [4.2]	15	12.5	1450 [684.3]	7501164
		RCF4824STAM	45000 [13.2]	31200 [9.1]	13800 [4.0]	14.5	12	1200 [566.3]	7501169
RA1448AC1	R801TA075521ZXA	RCF4821STAM	45000 [13.2]	31200 [9.1]	13800 [4.0]	14.5	12	1200 [566.3]	8053472
		RCF4824HTAM	48000 [14.1]	33800 [9.9]	14200 [4.2]	15	12.5	1450 [684.3]	8053481
		RCF4824STAM	45000 [13.2]	31200 [9.1]	13800 [4.0]	14.5	12	1200 [566.3]	8053497
RA1448AC1	R801TA100521MSA	RCF4821MTAM	47000 [13.8]	32400 [9.5]	14600 [4.3]	15.1	12.5	1400 [660.7]	8083583
		RCF4821STAM	46000 [13.5]	33300 [9.8]	12700 [3.7]	14.5	12	1375 [648.9]	7501162
		RCF4824HTAM	48000 [14.1]	33600 [9.8]	14400 [4.2]	15.1	12.5	1425 [672.5]	7501165
		RCF4824STAM	46000 [13.5]	33300 [9.8]	12700 [3.7]	14.5	12	1375 [648.9]	7501170
RA1448AC1	R801TA100521MXA	RCF4821STAM	46000 [13.5]	33300 [9.8]	12700 [3.7]	14.5	12	1375 [648.9]	8053473
		RCF4824HTAM	48000 [14.1]	33600 [9.8]	14400 [4.2]	15.1	12.5	1425 [672.5]	8053482
		RCF4824STAM	46000 [13.5]	33300 [9.8]	12700 [3.7]	14.5	12	1375 [648.9]	8053498
RA1448AC1	R801TA100521ZSA	RCF4821STAM	46000 [13.5]	33400 [9.8]	12600 [3.7]	14.5	12	1400 [660.7]	7501163
		RCF4824HTAM	48000 [14.1]	33600 [9.8]	14400 [4.2]	15	12.5	1425 [672.5]	7501166
		RCF4824STAM	46000 [13.5]	33400 [9.8]	12600 [3.7]	14.5	12	1400 [660.7]	7501171
RA1448AC1	R801TA100521ZXA	RCF4821STAM	46000 [13.5]	33400 [9.8]	12600 [3.7]	14.5	12	1400 [660.7]	8053474
		RCF4824HTAM	48000 [14.1]	33600 [9.8]	14400 [4.2]	15	12.5	1425 [672.5]	8053483
		RCF4824STAM	46000 [13.5]	33400 [9.8]	12600 [3.7]	14.5	12	1400 [660.7]	8053499

[] Designates Metric Conversions

Performance Data @ AHRI Standard Conditions – Cooling (con't.)

R801T: Achiever Plus Single-Stage X-13 80% Furnace Ratings									
Outdoor Unit	Furnace	Indoor Coil	Total Capacity BTU/H [kW]	Net Sensible BTU/H [kW]	Net Latent BTU/H [kW]	SEER	EER	Indoor CFM [L/s]	AHRI#
RA1448AC1	R801TA125524MSA	RCF4824HTAM	47500 [13.9]	32800 [9.6]	14700 [4.3]	15.5	13	1375 [648.9]	7501167
		RCF4824STAM	47000 [13.8]	35700 [10.5]	11300 [3.3]	14.5	12	1600 [755.1]	7501172
RA1448AC1	R801TA125524MXA	RCF4824HTAM	47500 [13.9]	32800 [9.6]	14700 [4.3]	15.5	13	1375 [648.9]	8053484
		RCF4824STAM	47000 [13.8]	35700 [10.5]	11300 [3.3]	14.5	12	1600 [755.1]	8053500
RA1448AC1	R801TA125524ZSA	RCF4824HTAM	47500 [13.9]	32800 [9.6]	14700 [4.3]	15.1	12.5	1375 [648.9]	7501168
		RCF4824STAM	46000 [13.5]	33000 [9.7]	13000 [3.8]	14.5	12	1325 [625.3]	7501173
RA1448AC1	R801TA125524ZXA	RCF4824HTAM	47500 [13.9]	32800 [9.6]	14700 [4.3]	15.1	12.5	1375 [648.9]	8053486
		RCF4824STAM	46000 [13.5]	33000 [9.7]	13000 [3.8]	14.5	12	1325 [625.3]	8053502
RA1448AD1	R801TA075317ZSA	RCF4821STAM	45500 [13.3]	32500 [9.5]	13000 [3.8]	14	11.7	1325 [625.3]	7600596
RA1448AD1	R801TA075317ZXA	RCF4821STAM	45500 [13.3]	32500 [9.5]	13000 [3.8]	14	11.7	1325 [625.3]	8053571
RA1448AD1	R801TA075417MSA	RCF4821MTAM	47000 [13.8]	32700 [9.6]	14300 [4.2]	14.5	12	1450 [684.3]	8083605
		RCF4821STAM	45500 [13.3]	32200 [9.4]	13300 [3.9]	14.5	12	1275 [601.7]	7600597
RA1448AD1	R801TA075417MXA	RCF4821STAM	45500 [13.3]	32200 [9.4]	13300 [3.9]	14.5	12	1275 [601.7]	8053572
RA1448AD1	R801TA075421MSA	RCF4821MTAM	47000 [13.8]	32500 [9.5]	14500 [4.2]	14.5	12	1425 [672.5]	8083606
		RCF4821STAM	46000 [13.5]	33400 [9.8]	12600 [3.7]	14.5	12	1400 [660.7]	8053574
		RCF4824HTAM	48000 [14.1]	33600 [9.8]	14400 [4.2]	15	12.5	1425 [672.5]	8053585
		RCF4824STAM	46000 [13.5]	33400 [9.8]	12600 [3.7]	14.5	12	1400 [660.7]	8053597
RA1448AD1	R801TA075521ZSA	RCF4821STAM	45000 [13.2]	31200 [9.1]	13800 [4.0]	14.5	12	1200 [566.3]	7600598
		RCF4824HTAM	48000 [14.1]	33800 [9.9]	14200 [4.2]	15	12.5	1450 [684.3]	7600628
		RCF4824STAM	45000 [13.2]	31200 [9.1]	13800 [4.0]	14.5	12	1200 [566.3]	7600661
RA1448AD1	R801TA075521ZXA	RCF4821STAM	45000 [13.2]	31200 [9.1]	13800 [4.0]	14.5	12	1200 [566.3]	8053575
		RCF4824HTAM	48000 [14.1]	33800 [9.9]	14200 [4.2]	15	12.5	1450 [684.3]	8053586
		RCF4824STAM	45000 [13.2]	31200 [9.1]	13800 [4.0]	14.5	12	1200 [566.3]	8053598
RA1448AD1	R801TA100521MSA	RCF4821MTAM	47000 [13.8]	32400 [9.5]	14600 [4.3]	15.1	12.5	1400 [660.7]	8083607
		RCF4821STAM	46000 [13.5]	33300 [9.8]	12700 [3.7]	14.5	12	1375 [648.9]	7600599
		RCF4824HTAM	48000 [14.1]	33600 [9.8]	14400 [4.2]	15.1	12.5	1425 [672.5]	7600629
		RCF4824STAM	46000 [13.5]	33300 [9.8]	12700 [3.7]	14.5	12	1375 [648.9]	7600662
RA1448AD1	R801TA100521MXA	RCF4821STAM	46000 [13.5]	33300 [9.8]	12700 [3.7]	14.5	12	1375 [648.9]	8053577
		RCF4824HTAM	48000 [14.1]	33600 [9.8]	14400 [4.2]	15.1	12.5	1425 [672.5]	8053587
		RCF4824STAM	46000 [13.5]	33300 [9.8]	12700 [3.7]	14.5	12	1375 [648.9]	8053599
RA1448AD1	R801TA100521ZSA	RCF4821STAM	46000 [13.5]	33400 [9.8]	12600 [3.7]	14.5	12	1400 [660.7]	7600600
		RCF4824HTAM	48000 [14.1]	33600 [9.8]	14400 [4.2]	15	12.5	1425 [672.5]	7600630
		RCF4824STAM	46000 [13.5]	33400 [9.8]	12600 [3.7]	14.5	12	1400 [660.7]	7600663
RA1448AD1	R801TA100521ZXA	RCF4821STAM	46000 [13.5]	33400 [9.8]	12600 [3.7]	14.5	12	1400 [660.7]	8053578
		RCF4824HTAM	48000 [14.1]	33600 [9.8]	14400 [4.2]	15	12.5	1425 [672.5]	8053588
		RCF4824STAM	46000 [13.5]	33400 [9.8]	12600 [3.7]	14.5	12	1400 [660.7]	8053600
RA1448AD1	R801TA125524MSA	RCF4824HTAM	47500 [13.9]	32800 [9.6]	14700 [4.3]	15.5	13	1375 [648.9]	7600631
		RCF4824STAM	47000 [13.8]	35700 [10.5]	11300 [3.3]	14.5	12	1600 [755.1]	7600664
RA1448AD1	R801TA125524MXA	RCF4824HTAM	47500 [13.9]	32800 [9.6]	14700 [4.3]	15.5	13	1375 [648.9]	8053589
		RCF4824STAM	47000 [13.8]	35700 [10.5]	11300 [3.3]	14.5	12	1600 [755.1]	8053601
RA1448AD1	R801TA125524ZSA	RCF4824HTAM	47500 [13.9]	32800 [9.6]	14700 [4.3]	15.1	12.5	1375 [648.9]	7600632
		RCF4824STAM	46000 [13.5]	33000 [9.7]	13000 [3.8]	14.5	12	1325 [625.3]	7600665
RA1448AD1	R801TA125524ZXA	RCF4824HTAM	47500 [13.9]	32800 [9.6]	14700 [4.3]	15.1	12.5	1375 [648.9]	8053590
		RCF4824STAM	46000 [13.5]	33000 [9.7]	13000 [3.8]	14.5	12	1325 [625.3]	8053602
RA1448AJ1	R801TA075317ZSA	RCF4821STAM	45500 [13.3]	32500 [9.5]	13000 [3.8]	14	11.7	1325 [625.3]	7501192
RA1448AJ1	R801TA075317ZXA	RCF4821STAM	45500 [13.3]	32500 [9.5]	13000 [3.8]	14	11.7	1325 [625.3]	8053655
RA1448AJ1	R801TA075417MSA	RCF4821MTAM	47000 [13.8]	32700 [9.6]	14300 [4.2]	14.5	12	1450 [684.3]	8083629
		RCF4821STAM	45500 [13.3]	32200 [9.4]	13300 [3.9]	14.5	12	1275 [601.7]	7501193
RA1448AJ1	R801TA075417MXA	RCF4821STAM	45500 [13.3]	32200 [9.4]	13300 [3.9]	14.5	12	1275 [601.7]	8053657

[] Designates Metric Conversions

Performance Data @ AHRI Standard Conditions – Cooling (con't.)

R801T: Achiever Plus Single-Stage X-13 80% Furnace Ratings									
Outdoor Unit	Furnace	Indoor Coil	Total Capacity BTU/H [kW]	Net Sensible BTU/H [kW]	Net Latent BTU/H [kW]	SEER	EER	Indoor CFM [L/s]	AHRI#
RA1448AJ1	R801TA075421MSA	RCF4821MTAM	47000 [13.8]	32500 [9.5]	14500 [4.2]	14.5	12	1425 [672.5]	8083630
		RCF4821STAM	46000 [13.5]	33400 [9.8]	12600 [3.7]	14.5	12	1400 [660.7]	8053658
		RCF4824HTAM	48000 [14.1]	33600 [9.8]	14400 [4.2]	15	12.5	1425 [672.5]	8053670
		RCF4824STAM	46000 [13.5]	33400 [9.8]	12600 [3.7]	14.5	12	1400 [660.7]	8053687
RA1448AJ1	R801TA075521ZSA	RCF4821STAM	45000 [13.2]	31200 [9.1]	13800 [4.0]	14.5	12	1200 [566.3]	7501194
		RCF4824HTAM	48000 [14.1]	33800 [9.9]	14200 [4.2]	15	12.5	1450 [684.3]	7501197
		RCF4824STAM	45000 [13.2]	31200 [9.1]	13800 [4.0]	14.5	12	1200 [566.3]	7501202
RA1448AJ1	R801TA075521ZXA	RCF4821STAM	45000 [13.2]	31200 [9.1]	13800 [4.0]	14.5	12	1200 [566.3]	8053660
		RCF4824HTAM	48000 [14.1]	33800 [9.9]	14200 [4.2]	15	12.5	1450 [684.3]	8053672
		RCF4824STAM	45000 [13.2]	31200 [9.1]	13800 [4.0]	14.5	12	1200 [566.3]	8053688
RA1448AJ1	R801TA100521MSA	RCF4821MTAM	47000 [13.8]	32400 [9.5]	14600 [4.3]	15.1	12.5	1400 [660.7]	8083631
		RCF4821STAM	46000 [13.5]	33300 [9.8]	12700 [3.7]	14.5	12	1375 [648.9]	7501195
		RCF4824HTAM	48000 [14.1]	33600 [9.8]	14400 [4.2]	15.1	12.5	1425 [672.5]	7501198
		RCF4824STAM	46000 [13.5]	33300 [9.8]	12700 [3.7]	14.5	12	1375 [648.9]	7501203
RA1448AJ1	R801TA100521MXA	RCF4821STAM	46000 [13.5]	33300 [9.8]	12700 [3.7]	14.5	12	1375 [648.9]	8053661
		RCF4824HTAM	48000 [14.1]	33600 [9.8]	14400 [4.2]	15.1	12.5	1425 [672.5]	8053673
		RCF4824STAM	46000 [13.5]	33300 [9.8]	12700 [3.7]	14.5	12	1375 [648.9]	8053690
RA1448AJ1	R801TA100521ZSA	RCF4821STAM	46000 [13.5]	33400 [9.8]	12600 [3.7]	14.5	12	1400 [660.7]	7501196
		RCF4824HTAM	48000 [14.1]	33600 [9.8]	14400 [4.2]	15	12.5	1425 [672.5]	7501199
		RCF4824STAM	46000 [13.5]	33400 [9.8]	12600 [3.7]	14.5	12	1400 [660.7]	7501204
RA1448AJ1	R801TA100521ZXA	RCF4821STAM	46000 [13.5]	33400 [9.8]	12600 [3.7]	14.5	12	1400 [660.7]	8053662
		RCF4824HTAM	48000 [14.1]	33600 [9.8]	14400 [4.2]	15	12.5	1425 [672.5]	8053675
		RCF4824STAM	46000 [13.5]	33400 [9.8]	12600 [3.7]	14.5	12	1400 [660.7]	8053691
RA1448AJ1	R801TA125524MSA	RCF4824HTAM	47500 [13.9]	32800 [9.6]	14700 [4.3]	15.5	13	1375 [648.9]	7501200
		RCF4824STAM	47000 [13.8]	35700 [10.5]	11300 [3.3]	14.5	12	1600 [755.1]	7501205
RA1448AJ1	R801TA125524MXA	RCF4824HTAM	47500 [13.9]	32800 [9.6]	14700 [4.3]	15.5	13	1375 [648.9]	8053676
		RCF4824STAM	47000 [13.8]	35700 [10.5]	11300 [3.3]	14.5	12	1600 [755.1]	8053692
RA1448AJ1	R801TA125524ZSA	RCF4824HTAM	47500 [13.9]	32800 [9.6]	14700 [4.3]	15.1	12.5	1375 [648.9]	7501201
		RCF4824STAM	46000 [13.5]	33000 [9.7]	13000 [3.8]	14.5	12	1325 [625.3]	7501206
RA1448AJ1	R801TA125524ZXA	RCF4824HTAM	47500 [13.9]	32800 [9.6]	14700 [4.3]	15.1	12.5	1375 [648.9]	8053677
		RCF4824STAM	46000 [13.5]	33000 [9.7]	13000 [3.8]	14.5	12	1325 [625.3]	8053693
RA1460AC1	R801TA075421MSA	RCF6021STAM	54500 [16.0]	35400 [10.4]	19100 [5.6]	14	11.5	1425 [672.5]	8083654
		RCF6024HTAM	57500 [16.9]	41000 [12.0]	16500 [4.8]	14	11.5	1650 [778.7]	8053762
		RCF6024STAM	57500 [16.9]	41000 [12.0]	16500 [4.8]	14	11.5	1650 [778.7]	8053775
RA1460AC1	R801TA075521ZSA	RCF6024HTAM	56500 [16.6]	38400 [11.3]	18100 [5.3]	14	11.7	1450 [684.3]	7501225
		RCF6024STAM	56500 [16.6]	38400 [11.3]	18100 [5.3]	14	11.7	1450 [684.3]	7501230
RA1460AC1	R801TA075521ZXA	RCF6024HTAM	56500 [16.6]	38400 [11.3]	18100 [5.3]	14	11.7	1450 [684.3]	8053764
		RCF6024STAM	56500 [16.6]	38400 [11.3]	18100 [5.3]	14	11.7	1450 [684.3]	8053776
RA1460AC1	R801TA100521MSA	RCF6021STAM	56000 [16.4]	38700 [11.3]	17300 [5.1]	14	11.5	1675 [790.5]	8083655
		RCF6024HTAM	57000 [16.7]	38800 [11.4]	18200 [5.3]	14.5	12	1425 [672.5]	7501226
		RCF6024STAM	57000 [16.7]	38800 [11.4]	18200 [5.3]	14.5	12	1425 [672.5]	7501231
RA1460AC1	R801TA100521MXA	RCF6024HTAM	57000 [16.7]	38800 [11.4]	18200 [5.3]	14.5	12	1425 [672.5]	8053765
		RCF6024STAM	57000 [16.7]	38800 [11.4]	18200 [5.3]	14.5	12	1425 [672.5]	8053777
RA1460AC1	R801TA100521ZSA	RCF6024HTAM	56500 [16.6]	38300 [11.2]	18200 [5.3]	14	11.7	1425 [672.5]	7501227
		RCF6024STAM	56500 [16.6]	38300 [11.2]	18200 [5.3]	14	11.7	1425 [672.5]	7501232
RA1460AC1	R801TA100521ZXA	RCF6024HTAM	56500 [16.6]	38300 [11.2]	18200 [5.3]	14	11.7	1425 [672.5]	8053766
		RCF6024STAM	56500 [16.6]	38300 [11.2]	18200 [5.3]	14	11.7	1425 [672.5]	8053778
RA1460AC1	R801TA125524MSA	RCF6024HTAM	58000 [17.0]	42300 [12.4]	15700 [4.6]	14	11.7	1750 [825.9]	7501228
		RCF6024STAM	58000 [17.0]	42300 [12.4]	15700 [4.6]	14	11.7	1750 [825.9]	7501233

[] Designates Metric Conversions

Performance Data @ AHRI Standard Conditions – Cooling (con't.)

R801T: Achiever Plus Single-Stage X-13 80% Furnace Ratings									
Outdoor Unit	Furnace	Indoor Coil	Total Capacity BTU/H [kW]	Net Sensible BTU/H [kW]	Net Latent BTU/H [kW]	SEER	EER	Indoor CFM [L/s]	AHRI#
RA1460AC1	R801TA125524MXA	RCF6024HTAM	58000 [17.0]	42300 [12.4]	15700 [4.6]	14	11.7	1750 [825.9]	8053767
		RCF6024STAM	58000 [17.0]	42300 [12.4]	15700 [4.6]	14	11.7	1750 [825.9]	8053780
RA1460AC1	R801TA125524ZSA	RCF6024HTAM	57500 [16.9]	41200 [12.1]	16300 [4.8]	14	11.7	1675 [790.5]	7501229
		RCF6024STAM	57500 [16.9]	41200 [12.1]	16300 [4.8]	14	11.7	1675 [790.5]	7501234
RA1460AC1	R801TA125524ZXA	RCF6024HTAM	57500 [16.9]	41200 [12.1]	16300 [4.8]	14	11.7	1675 [790.5]	8053768
		RCF6024STAM	57500 [16.9]	41200 [12.1]	16300 [4.8]	14	11.7	1675 [790.5]	8053781
RA1460AD1	R801TA075421MSA	RCF6021STAM	54500 [16.0]	35400 [10.4]	19100 [5.6]	14	11.5	1425 [672.5]	8083668
		RCF6024HTAM	57500 [16.9]	41000 [12.0]	16500 [4.8]	14	11.5	1650 [778.7]	8053817
		RCF6024STAM	57500 [16.9]	41000 [12.0]	16500 [4.8]	14	11.5	1650 [778.7]	8053830
RA1460AD1	R801TA075521ZSA	RCF6024HTAM	56500 [16.6]	38400 [11.3]	18100 [5.3]	14	11.7	1450 [684.3]	7600933
		RCF6024STAM	56500 [16.6]	38400 [11.3]	18100 [5.3]	14	11.7	1450 [684.3]	7600957
RA1460AD1	R801TA075521ZXA	RCF6024HTAM	56500 [16.6]	38400 [11.3]	18100 [5.3]	14	11.7	1450 [684.3]	8053818
		RCF6024STAM	56500 [16.6]	38400 [11.3]	18100 [5.3]	14	11.7	1450 [684.3]	8053831
RA1460AD1	R801TA100521MSA	RCF6021STAM	56000 [16.4]	38700 [11.3]	17300 [5.1]	14	11.5	1675 [790.5]	8083669
		RCF6024HTAM	57000 [16.7]	38800 [11.4]	18200 [5.3]	14.5	12	1425 [672.5]	7600934
		RCF6024STAM	57000 [16.7]	38800 [11.4]	18200 [5.3]	14.5	12	1425 [672.5]	7600958
RA1460AD1	R801TA100521MXA	RCF6024HTAM	57000 [16.7]	38800 [11.4]	18200 [5.3]	14.5	12	1425 [672.5]	8053819
		RCF6024STAM	57000 [16.7]	38800 [11.4]	18200 [5.3]	14.5	12	1425 [672.5]	8053832
RA1460AD1	R801TA100521ZSA	RCF6024HTAM	56500 [16.6]	38300 [11.2]	18200 [5.3]	14	11.7	1425 [672.5]	7600935
		RCF6024STAM	56500 [16.6]	38300 [11.2]	18200 [5.3]	14	11.7	1425 [672.5]	7600959
RA1460AD1	R801TA100521ZXA	RCF6024HTAM	56500 [16.6]	38300 [11.2]	18200 [5.3]	14	11.7	1425 [672.5]	8053820
		RCF6024STAM	56500 [16.6]	38300 [11.2]	18200 [5.3]	14	11.7	1425 [672.5]	8053833
RA1460AD1	R801TA125524MSA	RCF6024HTAM	58000 [17.0]	42300 [12.4]	15700 [4.6]	14	11.7	1750 [825.9]	7600936
		RCF6024STAM	58000 [17.0]	42300 [12.4]	15700 [4.6]	14	11.7	1750 [825.9]	7600960
RA1460AD1	R801TA125524MXA	RCF6024HTAM	58000 [17.0]	42300 [12.4]	15700 [4.6]	14	11.7	1750 [825.9]	8053821
		RCF6024STAM	58000 [17.0]	42300 [12.4]	15700 [4.6]	14	11.7	1750 [825.9]	8053834
RA1460AD1	R801TA125524ZSA	RCF6024HTAM	57500 [16.9]	41200 [12.1]	16300 [4.8]	14	11.7	1675 [790.5]	7600937
		RCF6024STAM	57500 [16.9]	41200 [12.1]	16300 [4.8]	14	11.7	1675 [790.5]	7600961
RA1460AD1	R801TA125524ZXA	RCF6024HTAM	57500 [16.9]	41200 [12.1]	16300 [4.8]	14	11.7	1675 [790.5]	8053822
		RCF6024STAM	57500 [16.9]	41200 [12.1]	16300 [4.8]	14	11.7	1675 [790.5]	8053835
RA1460AJ1	R801TA075421MSA	RCF6021STAM	54500 [16.0]	35400 [10.4]	19100 [5.6]	14	11.5	1425 [672.5]	8083683
		RCF6024HTAM	57500 [16.9]	41000 [12.0]	16500 [4.8]	14	11.5	1650 [778.7]	8053881
		RCF6024STAM	57500 [16.9]	41000 [12.0]	16500 [4.8]	14	11.5	1650 [778.7]	8053897
RA1460AJ1	R801TA075521ZSA	RCF6024HTAM	56500 [16.6]	38400 [11.3]	18100 [5.3]	14	11.7	1450 [684.3]	7501247
		RCF6024STAM	56500 [16.6]	38400 [11.3]	18100 [5.3]	14	11.7	1450 [684.3]	7501252
RA1460AJ1	R801TA075521ZXA	RCF6024HTAM	56500 [16.6]	38400 [11.3]	18100 [5.3]	14	11.7	1450 [684.3]	8053883
		RCF6024STAM	56500 [16.6]	38400 [11.3]	18100 [5.3]	14	11.7	1450 [684.3]	8053898
RA1460AJ1	R801TA100521MSA	RCF6021STAM	56000 [16.4]	38700 [11.3]	17300 [5.1]	14	11.5	1675 [790.5]	8083684
		RCF6024HTAM	57000 [16.7]	38800 [11.4]	18200 [5.3]	14.5	12	1425 [672.5]	7501248
		RCF6024STAM	57000 [16.7]	38800 [11.4]	18200 [5.3]	14.5	12	1425 [672.5]	7501253
RA1460AJ1	R801TA100521MXA	RCF6024HTAM	57000 [16.7]	38800 [11.4]	18200 [5.3]	14.5	12	1425 [672.5]	8053884
		RCF6024STAM	57000 [16.7]	38800 [11.4]	18200 [5.3]	14.5	12	1425 [672.5]	8053900
RA1460AJ1	R801TA100521ZSA	RCF6024HTAM	56500 [16.6]	38300 [11.2]	18200 [5.3]	14	11.7	1425 [672.5]	7501249
		RCF6024STAM	56500 [16.6]	38300 [11.2]	18200 [5.3]	14	11.7	1425 [672.5]	7501254
RA1460AJ1	R801TA100521ZXA	RCF6024HTAM	56500 [16.6]	38300 [11.2]	18200 [5.3]	14	11.7	1425 [672.5]	8053885
		RCF6024STAM	56500 [16.6]	38300 [11.2]	18200 [5.3]	14	11.7	1425 [672.5]	8053901
RA1460AJ1	R801TA125524MSA	RCF6024HTAM	58000 [17.0]	42300 [12.4]	15700 [4.6]	14	11.7	1750 [825.9]	7501250
		RCF6024STAM	58000 [17.0]	42300 [12.4]	15700 [4.6]	14	11.7	1750 [825.9]	7501255

[] Designates Metric Conversions

Performance Data @ AHRI Standard Conditions – Cooling (con't.)

R801T: Achiever Plus Single-Stage X-13 80% Furnace Ratings									
Outdoor Unit	Furnace	Indoor Coil	Total Capacity BTU/H [kW]	Net Sensible BTU/H [kW]	Net Latent BTU/H [kW]	SEER	EER	Indoor CFM [L/s]	AHRI#
RA1460AJ1	R801TA125524MXA	RCF6024HTAM	58000 [17.0]	42300 [12.4]	15700 [4.6]	14	11.7	1750 [825.9]	8053887
		RCF6024STAM	58000 [17.0]	42300 [12.4]	15700 [4.6]	14	11.7	1750 [825.9]	8053902
RA1460AJ1	R801TA125524ZSA	RCF6024HTAM	57500 [16.9]	41200 [12.1]	16300 [4.8]	14	11.7	1675 [790.5]	7501251
		RCF6024STAM	57500 [16.9]	41200 [12.1]	16300 [4.8]	14	11.7	1675 [790.5]	7501256
RA1460AJ1	R801TA125524ZXA	RCF6024HTAM	57500 [16.9]	41200 [12.1]	16300 [4.8]	14	11.7	1675 [790.5]	8053888
		RCF6024STAM	57500 [16.9]	41200 [12.1]	16300 [4.8]	14	11.7	1675 [790.5]	8053904

[] Designates Metric Conversions

Performance Data @ AHRI Standard Conditions – Cooling (con't.)

R802V: Ultra 2-Stage 80% ECM Furnace Ratings									
Outdoor Unit	Furnace	Indoor Coil	Total Capacity BTU/H [kW]	Net Sensible BTU/H [kW]	Net Latent BTU/H [kW]	SEER	EER	Indoor CFM [L/s]	AHRI#
RA1418AJ1	R802VA050317MSA	RCF2417HTAM	18000 [5.3]	13600 [4.0]	4400 [1.3]	16	13	675 [318.6]	7599508
		RCF2417MTAM	18000 [5.3]	13600 [4.0]	4400 [1.3]	16	13	675 [318.6]	7599512
		RCF2417STAM	18000 [5.3]	13600 [4.0]	4400 [1.3]	15.5	13	675 [318.6]	7599516
		RCF2421MTAM	18000 [5.3]	13600 [4.0]	4400 [1.3]	16	13	675 [318.6]	7599525
RA1418AJ1	R802VA050317MXA	RCF2417HTAM	18000 [5.3]	13600 [4.0]	4400 [1.3]	16	13	675 [318.6]	8052682
		RCF2417MTAM	18000 [5.3]	13600 [4.0]	4400 [1.3]	16	13	675 [318.6]	8052687
		RCF2417STAM	18000 [5.3]	13600 [4.0]	4400 [1.3]	15.5	13	675 [318.6]	8052692
		RCF2421MTAM	18000 [5.3]	13600 [4.0]	4400 [1.3]	16	13	675 [318.6]	8052702
RA1418AJ1	R802VA075317MSA	RCF2417HTAM	18000 [5.3]	13600 [4.0]	4400 [1.3]	16	13	675 [318.6]	7599509
		RCF2417MTAM	18000 [5.3]	13600 [4.0]	4400 [1.3]	16	13	675 [318.6]	7599513
		RCF2417STAM	18000 [5.3]	13600 [4.0]	4400 [1.3]	15.5	13	675 [318.6]	7599517
		RCF2421MTAM	18000 [5.3]	13600 [4.0]	4400 [1.3]	16	13	675 [318.6]	7599526
RA1418AJ1	R802VA075317MXA	RCF2417HTAM	18000 [5.3]	13600 [4.0]	4400 [1.3]	16	13	675 [318.6]	8052683
		RCF2417MTAM	18000 [5.3]	13600 [4.0]	4400 [1.3]	16	13	675 [318.6]	8052688
		RCF2417STAM	18000 [5.3]	13600 [4.0]	4400 [1.3]	15.5	13	675 [318.6]	8052693
		RCF2421MTAM	18000 [5.3]	13600 [4.0]	4400 [1.3]	16	13	675 [318.6]	8052703
RA1418AJ1	R802VA075317ZSA	RCF2417HTAM	18000 [5.3]	13600 [4.0]	4400 [1.3]	16	13	675 [318.6]	7599510
		RCF2417MTAM	18000 [5.3]	13600 [4.0]	4400 [1.3]	16	13	675 [318.6]	7599514
		RCF2417STAM	18000 [5.3]	13600 [4.0]	4400 [1.3]	15.5	13	675 [318.6]	7599518
		RCF2421MTAM	18000 [5.3]	13600 [4.0]	4400 [1.3]	16	13	675 [318.6]	7599527
RA1418AJ1	R802VA075317ZXA	RCF2417HTAM	18000 [5.3]	13600 [4.0]	4400 [1.3]	16	13	675 [318.6]	8052684
		RCF2417MTAM	18000 [5.3]	13600 [4.0]	4400 [1.3]	16	13	675 [318.6]	8052689
		RCF2417STAM	18000 [5.3]	13600 [4.0]	4400 [1.3]	15.5	13	675 [318.6]	8052694
		RCF2421MTAM	18000 [5.3]	13600 [4.0]	4400 [1.3]	16	13	675 [318.6]	8052704
RA1418AJ1	R802VA075421MSA	RCF2421MTAM	18000 [5.3]	13600 [4.0]	4400 [1.3]	16	13	675 [318.6]	8052705
RA1418AJ1	R802VA075421ZSA	RCF2421MTAM	18000 [5.3]	13600 [4.0]	4400 [1.3]	16	13	650 [306.8]	7599528
RA1418AJ1	R802VA075421ZXA	RCF2421MTAM	18000 [5.3]	13600 [4.0]	4400 [1.3]	16	13	650 [306.8]	8052706
RA1418AJ1	R802VA050317MSA	RCF2421HTAM	18000 [5.3]	13600 [4.0]	4400 [1.3]	16	13	675 [318.6]	7599520
RA1418AJ1	R802VA050317MXA	RCF2421HTAM	18000 [5.3]	13600 [4.0]	4400 [1.3]	16	13	675 [318.6]	8052696
RA1418AJ1	R802VA075317MSA	RCF2421HTAM	18000 [5.3]	13600 [4.0]	4400 [1.3]	16	13	675 [318.6]	7599521
RA1418AJ1	R802VA075317MXA	RCF2421HTAM	18000 [5.3]	13600 [4.0]	4400 [1.3]	16	13	675 [318.6]	8052697
RA1418AJ1	R802VA075317ZSA	RCF2421HTAM	18000 [5.3]	13600 [4.0]	4400 [1.3]	16	13	675 [318.6]	7599522
RA1418AJ1	R802VA075317ZXA	RCF2421HTAM	18000 [5.3]	13600 [4.0]	4400 [1.3]	16	13	675 [318.6]	8052698
RA1418AJ1	R802VA075421MSA	RCF2421HTAM	18000 [5.3]	13600 [4.0]	4400 [1.3]	16	13	675 [318.6]	8052699
RA1418AJ1	R802VA075421ZSA	RCF2421HTAM	18000 [5.3]	13600 [4.0]	4400 [1.3]	16	13	650 [306.8]	7599523
RA1418AJ1	R802VA075421ZXA	RCF2421HTAM	18000 [5.3]	13600 [4.0]	4400 [1.3]	16	13	650 [306.8]	8052700
RA1424AJ1	R802VA050317MSA	RCF2417HTAM	24000 [7.0]	18100 [5.3]	5900 [1.7]	15.5	13	725 [342.2]	7599556
		RCF2417MTAM	24000 [7.0]	18100 [5.3]	5900 [1.7]	15.5	13	850 [401.2]	7599560
		RCF2417STAM	24000 [7.0]	18100 [5.3]	5900 [1.7]	15.1	12.5	800 [377.6]	7599564
		RCF2421MTAM	24000 [7.0]	18100 [5.3]	5900 [1.7]	15.5	13	850 [401.2]	7599575
RA1424AJ1	R802VA050317MXA	RCF2417HTAM	24000 [7.0]	18100 [5.3]	5900 [1.7]	15.5	13	725 [342.2]	8052740
		RCF2417MTAM	24000 [7.0]	18100 [5.3]	5900 [1.7]	15.5	13	850 [401.2]	8052745
		RCF2417STAM	24000 [7.0]	18100 [5.3]	5900 [1.7]	15.1	12.5	800 [377.6]	8052750
		RCF2421MTAM	24000 [7.0]	18100 [5.3]	5900 [1.7]	15.5	13	850 [401.2]	8052762
RA1424AJ1	R802VA075317MSA	RCF2417HTAM	24000 [7.0]	18100 [5.3]	5900 [1.7]	16	13	850 [401.2]	7599557
		RCF2417MTAM	24000 [7.0]	18100 [5.3]	5900 [1.7]	16	13	875 [413.0]	7599561
		RCF2417STAM	24000 [7.0]	18100 [5.3]	5900 [1.7]	15.5	13	850 [401.2]	7599565
		RCF2421MTAM	24000 [7.0]	18100 [5.3]	5900 [1.7]	16	13	875 [413.0]	7599576

[] Designates Metric Conversions

Performance Data @ AHRI Standard Conditions – Cooling (con't.)

R802V: Ultra 2-Stage 80% ECM Furnace Ratings									
Outdoor Unit	Furnace	Indoor Coil	Total Capacity BTU/H [kW]	Net Sensible BTU/H [kW]	Net Latent BTU/H [kW]	SEER	EER	Indoor CFM [L/s]	AHRI#
RA1424AJ1	R802VA075317MXA	RCF2417HTAM	24000 [7.0]	18100 [5.3]	5900 [1.7]	16	13	850 [401.2]	8052741
		RCF2417MTAM	24000 [7.0]	18100 [5.3]	5900 [1.7]	16	13	875 [413.0]	8052746
		RCF2417STAM	24000 [7.0]	18100 [5.3]	5900 [1.7]	15.5	13	850 [401.2]	8052751
		RCF2421MTAM	24000 [7.0]	18100 [5.3]	5900 [1.7]	16	13	875 [413.0]	8052763
RA1424AJ1	R802VA075317ZSA	RCF2417HTAM	24000 [7.0]	18100 [5.3]	5900 [1.7]	16	13	800 [377.6]	7599558
		RCF2417MTAM	24000 [7.0]	18100 [5.3]	5900 [1.7]	16	13	800 [377.6]	7599562
		RCF2417STAM	24000 [7.0]	18100 [5.3]	5900 [1.7]	15.5	13	750 [354.0]	7599566
		RCF2421MTAM	24000 [7.0]	18100 [5.3]	5900 [1.7]	16	13	800 [377.6]	7599577
RA1424AJ1	R802VA075317ZXA	RCF2417HTAM	24000 [7.0]	18100 [5.3]	5900 [1.7]	16	13	800 [377.6]	8052742
		RCF2417MTAM	24000 [7.0]	18100 [5.3]	5900 [1.7]	16	13	800 [377.6]	8052747
		RCF2417STAM	24000 [7.0]	18100 [5.3]	5900 [1.7]	15.5	13	750 [354.0]	8052752
		RCF2421MTAM	24000 [7.0]	18100 [5.3]	5900 [1.7]	16	13	800 [377.6]	8052764
RA1424AJ1	R802VA075421MSA	RCF2421MTAM	24000 [7.0]	18100 [5.3]	5900 [1.7]	16	13	850 [401.2]	8052765
RA1424AJ1	R802VA075421ZSA	RCF2421MTAM	24000 [7.0]	18100 [5.3]	5900 [1.7]	16	13	800 [377.6]	7599578
RA1424AJ1	R802VA075421ZXA	RCF2421MTAM	24000 [7.0]	18100 [5.3]	5900 [1.7]	16	13	800 [377.6]	8052766
RA1424AJ1	R802VA100521MSA	RCF2421MTAM	24000 [7.0]	18100 [5.3]	5900 [1.7]	16	13	850 [401.2]	7599579
RA1424AJ1	R802VA100521MXA	RCF2421MTAM	24000 [7.0]	18100 [5.3]	5900 [1.7]	16	13	850 [401.2]	8052767
RA1424AJ1	R802VA100521ZSA	RCF2421MTAM	24000 [7.0]	18100 [5.3]	5900 [1.7]	15.5	13	900 [424.8]	7599580
RA1424AJ1	R802VA100521ZXA	RCF2421MTAM	24000 [7.0]	18100 [5.3]	5900 [1.7]	15.5	13	900 [424.8]	8052768
RA1424AJ1	R802VA050317MSA	RCF2421HTAM	24000 [7.0]	18100 [5.3]	5900 [1.7]	15.5	13	850 [401.2]	7599568
RA1424AJ1	R802VA050317MXA	RCF2421HTAM	24000 [7.0]	18100 [5.3]	5900 [1.7]	15.5	13	850 [401.2]	8052754
RA1424AJ1	R802VA075317MSA	RCF2421HTAM	24000 [7.0]	18100 [5.3]	5900 [1.7]	16	13	875 [413.0]	7599569
RA1424AJ1	R802VA075317MXA	RCF2421HTAM	24000 [7.0]	18100 [5.3]	5900 [1.7]	16	13	875 [413.0]	8052755
RA1424AJ1	R802VA075317ZSA	RCF2421HTAM	24000 [7.0]	18100 [5.3]	5900 [1.7]	16	13	800 [377.6]	7599570
RA1424AJ1	R802VA075317ZXA	RCF2421HTAM	24000 [7.0]	18100 [5.3]	5900 [1.7]	16	13	800 [377.6]	8052756
RA1424AJ1	R802VA075421MSA	RCF2421HTAM	24000 [7.0]	18100 [5.3]	5900 [1.7]	16	13	850 [401.2]	8052757
RA1424AJ1	R802VA075421ZSA	RCF2421HTAM	24000 [7.0]	18100 [5.3]	5900 [1.7]	16	13	800 [377.6]	7599571
RA1424AJ1	R802VA075421ZXA	RCF2421HTAM	24000 [7.0]	18100 [5.3]	5900 [1.7]	16	13	800 [377.6]	8052758
RA1424AJ1	R802VA100521MSA	RCF2421HTAM	24000 [7.0]	18100 [5.3]	5900 [1.7]	16	13	850 [401.2]	7599572
RA1424AJ1	R802VA100521MXA	RCF2421HTAM	24000 [7.0]	18100 [5.3]	5900 [1.7]	16	13	850 [401.2]	8052759
RA1424AJ1	R802VA100521ZSA	RCF2421HTAM	24000 [7.0]	18100 [5.3]	5900 [1.7]	15.5	13	900 [424.8]	7599573
RA1424AJ1	R802VA100521ZXA	RCF2421HTAM	24000 [7.0]	18100 [5.3]	5900 [1.7]	15.5	13	900 [424.8]	8052760
RA1430AJ1	R802VA050317MSA	RCF3617STAM	28200 [8.3]	20500 [6.0]	7700 [2.3]	15.1	12.5	800 [377.6]	7599612
		RCF3621HTAM	30000 [8.8]	22700 [6.7]	7300 [2.1]	16	13	975 [460.1]	8083392
		RCF3621MTAM	29800 [8.7]	21000 [6.2]	8800 [2.6]	16	13	800 [377.6]	7599616
		RCF3621STAM	28600 [8.4]	21200 [6.2]	7400 [2.2]	15.1	12.5	875 [413.0]	7599623
RA1430AJ1	R802VA050317MXA	RCF3617STAM	28200 [8.3]	20500 [6.0]	7700 [2.3]	15.1	12.5	800 [377.6]	8052806
		RCF3621MTAM	29800 [8.7]	21000 [6.2]	8800 [2.6]	16	13	800 [377.6]	8052815
		RCF3621STAM	28600 [8.4]	21200 [6.2]	7400 [2.2]	15.1	12.5	875 [413.0]	8052828
RA1430AJ1	R802VA075317MSA	RCF3617STAM	28800 [8.4]	21400 [6.3]	7400 [2.2]	15.5	13	875 [413.0]	7599613
		RCF3621HTAM	30000 [8.8]	22700 [6.7]	7300 [2.1]	16	13	1075 [507.3]	8083393
		RCF3621MTAM	30000 [8.8]	22700 [6.7]	7300 [2.1]	16	13	1075 [507.3]	7599617
		RCF3621STAM	28800 [8.4]	21400 [6.3]	7400 [2.2]	15.5	13	875 [413.0]	7599624
RA1430AJ1	R802VA075317MXA	RCF3617STAM	28800 [8.4]	21400 [6.3]	7400 [2.2]	15.5	13	875 [413.0]	8052807
		RCF3621MTAM	30000 [8.8]	22700 [6.7]	7300 [2.1]	16	13	1075 [507.3]	8052816
		RCF3621STAM	28800 [8.4]	21400 [6.3]	7400 [2.2]	15.5	13	875 [413.0]	8052829
RA1430AJ1	R802VA075317ZSA	RCF3617STAM	28800 [8.4]	21400 [6.3]	7400 [2.2]	15.1	12.5	900 [424.8]	7599614
		RCF3621MTAM	30000 [8.8]	22700 [6.7]	7300 [2.1]	16	13	1000 [471.9]	7599618
		RCF3621STAM	28800 [8.4]	21400 [6.3]	7400 [2.2]	15.1	12.5	900 [424.8]	7599625

[] Designates Metric Conversions

Performance Data @ AHRI Standard Conditions – Cooling (con't.)

R802V: Ultra 2-Stage 80% ECM Furnace Ratings									
Outdoor Unit	Furnace	Indoor Coil	Total Capacity BTU/H [kW]	Net Sensible BTU/H [kW]	Net Latent BTU/H [kW]	SEER	EER	Indoor CFM [L/s]	AHRI#
RA1430AJ1	R802VA075317ZXA	RCF3617STAM	28800 [8.4]	21400 [6.3]	7400 [2.2]	15.1	12.5	900 [424.8]	8052808
		RCF3621MTAM	30000 [8.8]	22700 [6.7]	7300 [2.1]	16	13	1000 [471.9]	8052817
		RCF3621STAM	28800 [8.4]	21400 [6.3]	7400 [2.2]	15.1	12.5	900 [424.8]	8052830
RA1430AJ1	R802VA075421MSA	RCF3621HTAM	30000 [8.8]	22700 [6.7]	7300 [2.1]	16	13	1075 [507.3]	8083394
		RCF3621MTAM	30000 [8.8]	22700 [6.7]	7300 [2.1]	16	13	1075 [507.3]	8052818
		RCF3621STAM	28800 [8.4]	21400 [6.3]	7400 [2.2]	15.5	13	900 [424.8]	8052831
		RCF3624HTAM	30000 [8.8]	22700 [6.7]	7300 [2.1]	16	13	1075 [507.3]	8052840
		RCF3624MTAM	30000 [8.8]	22700 [6.7]	7300 [2.1]	16	13	1075 [507.3]	8052851
RA1430AJ1	R802VA075421ZSA	RCF3621MTAM	30000 [8.8]	22700 [6.7]	7300 [2.1]	16	13	1075 [507.3]	7599619
		RCF3621STAM	29400 [8.6]	22600 [6.6]	6800 [2.0]	15.1	12.5	1050 [495.5]	7599626
		RCF3624HTAM	30000 [8.8]	22700 [6.7]	7300 [2.1]	16	13	1075 [507.3]	7599630
		RCF3624MTAM	30000 [8.8]	22700 [6.7]	7300 [2.1]	16	13	1075 [507.3]	7599636
RA1430AJ1	R802VA075421ZXA	RCF3621MTAM	30000 [8.8]	22700 [6.7]	7300 [2.1]	16	13	1075 [507.3]	8052819
		RCF3621STAM	29400 [8.6]	22600 [6.6]	6800 [2.0]	15.1	12.5	1050 [495.5]	8052832
		RCF3624HTAM	30000 [8.8]	22700 [6.7]	7300 [2.1]	16	13	1075 [507.3]	8052841
		RCF3624MTAM	30000 [8.8]	22700 [6.7]	7300 [2.1]	16	13	1075 [507.3]	8052852
RA1430AJ1	R802VA100521MSA	RCF3621HTAM	30000 [8.8]	22700 [6.7]	7300 [2.1]	16	13	1025 [483.7]	8083395
		RCF3621MTAM	30000 [8.8]	22700 [6.7]	7300 [2.1]	16	13	1025 [483.7]	7599620
		RCF3621STAM	29400 [8.6]	22400 [6.6]	7000 [2.1]	15.5	13	1025 [483.7]	7599627
		RCF3624HTAM	30000 [8.8]	22700 [6.7]	7300 [2.1]	16	13	1025 [483.7]	7599631
		RCF3624MTAM	30000 [8.8]	22700 [6.7]	7300 [2.1]	16	13	1025 [483.7]	7599637
RA1430AJ1	R802VA100521MXA	RCF3621MTAM	30000 [8.8]	22700 [6.7]	7300 [2.1]	16	13	1025 [483.7]	8052820
		RCF3621STAM	29400 [8.6]	22400 [6.6]	7000 [2.1]	15.5	13	1025 [483.7]	8052833
		RCF3624HTAM	30000 [8.8]	22700 [6.7]	7300 [2.1]	16	13	1025 [483.7]	8052842
		RCF3624MTAM	30000 [8.8]	22700 [6.7]	7300 [2.1]	16	13	1025 [483.7]	8052853
RA1430AJ1	R802VA100521ZSA	RCF3621MTAM	30000 [8.8]	22700 [6.7]	7300 [2.1]	16	13	1050 [495.5]	7599621
		RCF3621STAM	29400 [8.6]	22600 [6.6]	6800 [2.0]	15.1	12.5	1050 [495.5]	7599628
		RCF3624HTAM	30000 [8.8]	22700 [6.7]	7300 [2.1]	16	13	1050 [495.5]	7599632
		RCF3624MTAM	30000 [8.8]	22700 [6.7]	7300 [2.1]	16	13	1050 [495.5]	7599638
RA1430AJ1	R802VA100521ZXA	RCF3621MTAM	30000 [8.8]	22700 [6.7]	7300 [2.1]	16	13	1050 [495.5]	8052821
		RCF3621STAM	29400 [8.6]	22600 [6.6]	6800 [2.0]	15.1	12.5	1050 [495.5]	8052834
		RCF3624HTAM	30000 [8.8]	22700 [6.7]	7300 [2.1]	16	13	1050 [495.5]	8052843
		RCF3624MTAM	30000 [8.8]	22700 [6.7]	7300 [2.1]	16	13	1050 [495.5]	8052854
RA1430AJ1	R802VA125524MSA	RCF3624HTAM	30000 [8.8]	22700 [6.7]	7300 [2.1]	16	13	1050 [495.5]	7599633
		RCF3624MTAM	30000 [8.8]	22700 [6.7]	7300 [2.1]	16	13	1050 [495.5]	7599639
RA1430AJ1	R802VA125524MXA	RCF3624HTAM	30000 [8.8]	22700 [6.7]	7300 [2.1]	16	13	1050 [495.5]	8052844
		RCF3624MTAM	30000 [8.8]	22700 [6.7]	7300 [2.1]	16	13	1050 [495.5]	8052855
RA1430AJ1	R802VA125524ZSA	RCF3624HTAM	30000 [8.8]	22700 [6.7]	7300 [2.1]	16	13	1075 [507.3]	7599634
		RCF3624MTAM	30000 [8.8]	22700 [6.7]	7300 [2.1]	16	13	1075 [507.3]	7599640
RA1430AJ1	R802VA125524ZXA	RCF3624HTAM	30000 [8.8]	22700 [6.7]	7300 [2.1]	16	13	1075 [507.3]	8052845
		RCF3624MTAM	30000 [8.8]	22700 [6.7]	7300 [2.1]	16	13	1075 [507.3]	8052856
RA1436AC1	R802VA050317MSA	RCF3617STAM	34000 [10.0]	24100 [7.1]	9900 [2.9]	14.5	12	975 [460.1]	7599672
		RCF3621HTAM	36000 [10.6]	25900 [7.6]	10100 [3.0]	15.5	13	1100 [519.1]	8083418
		RCF3621MTAM	36000 [10.6]	25900 [7.6]	10100 [3.0]	15.1	12.5	1100 [519.1]	7599676
		RCF3621STAM	34200 [10.0]	24300 [7.1]	9900 [2.9]	14.5	12	975 [460.1]	7599683
RA1436AC1	R802VA050317MXA	RCF3617STAM	34000 [10.0]	24100 [7.1]	9900 [2.9]	14.5	12	975 [460.1]	8052914
		RCF3621MTAM	36000 [10.6]	25900 [7.6]	10100 [3.0]	15.1	12.5	1100 [519.1]	8052923
		RCF3621STAM	34200 [10.0]	24300 [7.1]	9900 [2.9]	14.5	12	975 [460.1]	8052936

[] Designates Metric Conversions

Performance Data @ AHRI Standard Conditions – Cooling (con't.)

R802V: Ultra 2-Stage 80% ECM Furnace Ratings									
Outdoor Unit	Furnace	Indoor Coil	Total Capacity BTU/H [kW]	Net Sensible BTU/H [kW]	Net Latent BTU/H [kW]	SEER	EER	Indoor CFM [L/s]	AHRI#
RA1436AC1	R802VA075317MSA	RCF3617STAM	34800 [10.2]	25100 [7.4]	9700 [2.8]	15.1	12.5	1025 [483.7]	7599673
		RCF3621HTAM	36000 [10.6]	25900 [7.6]	10100 [3.0]	16	13	1150 [542.7]	8083419
		RCF3621MTAM	36000 [10.6]	25900 [7.6]	10100 [3.0]	16	13	1025 [483.7]	7599677
		RCF3621STAM	34800 [10.2]	25100 [7.4]	9700 [2.8]	15.1	12.5	1025 [483.7]	7599684
RA1436AC1	R802VA075317MXA	RCF3617STAM	34800 [10.2]	25100 [7.4]	9700 [2.8]	15.1	12.5	1025 [483.7]	8052915
		RCF3621MTAM	36000 [10.6]	25900 [7.6]	10100 [3.0]	16	13	1025 [483.7]	8052924
		RCF3621STAM	34800 [10.2]	25100 [7.4]	9700 [2.8]	15.1	12.5	1025 [483.7]	8052937
RA1436AC1	R802VA075317ZSA	RCF3617STAM	34800 [10.2]	25400 [7.4]	9400 [2.8]	14.5	12	1100 [519.1]	7599674
		RCF3621MTAM	36000 [10.6]	25900 [7.6]	10100 [3.0]	15.5	13	1100 [519.1]	7599678
		RCF3621STAM	34800 [10.2]	25400 [7.4]	9400 [2.8]	14.5	12	1100 [519.1]	7599685
RA1436AC1	R802VA075317ZXA	RCF3617STAM	34800 [10.2]	25400 [7.4]	9400 [2.8]	14.5	12	1100 [519.1]	8052916
		RCF3621MTAM	36000 [10.6]	25900 [7.6]	10100 [3.0]	15.5	13	1100 [519.1]	8052925
		RCF3621STAM	34800 [10.2]	25400 [7.4]	9400 [2.8]	14.5	12	1100 [519.1]	8052938
RA1436AC1	R802VA075421MSA	RCF3621HTAM	36000 [10.6]	25900 [7.6]	10100 [3.0]	16	13	1250 [589.9]	8083420
		RCF3621MTAM	36000 [10.6]	25900 [7.6]	10100 [3.0]	16	13	1125 [530.9]	8052926
		RCF3621STAM	35200 [10.3]	25900 [7.6]	9300 [2.7]	15.1	12.5	1125 [530.9]	8052939
		RCF3624HTAM	36000 [10.6]	25900 [7.6]	10100 [3.0]	16	13	1250 [589.9]	8052949
		RCF3624MTAM	36000 [10.6]	25900 [7.6]	10100 [3.0]	16	13	1125 [530.9]	8052961
RA1436AC1	R802VA075421ZSA	RCF3621MTAM	36000 [10.6]	25900 [7.6]	10100 [3.0]	15.5	13	1250 [589.9]	7599679
		RCF3621STAM	34800 [10.2]	25100 [7.4]	9700 [2.8]	15.1	12.5	1025 [483.7]	7599686
		RCF3624HTAM	36000 [10.6]	25900 [7.6]	10100 [3.0]	16	13	1250 [589.9]	7599690
		RCF3624MTAM	36000 [10.6]	25900 [7.6]	10100 [3.0]	15.5	13	1250 [589.9]	7599696
RA1436AC1	R802VA075421ZXA	RCF3621MTAM	36000 [10.6]	25900 [7.6]	10100 [3.0]	15.5	13	1250 [589.9]	8052927
		RCF3621STAM	34800 [10.2]	25100 [7.4]	9700 [2.8]	15.1	12.5	1025 [483.7]	8052940
		RCF3624HTAM	36000 [10.6]	25900 [7.6]	10100 [3.0]	16	13	1250 [589.9]	8052950
		RCF3624MTAM	36000 [10.6]	25900 [7.6]	10100 [3.0]	15.5	13	1250 [589.9]	8052962
RA1436AC1	R802VA100521MSA	RCF3621HTAM	36000 [10.6]	25900 [7.6]	10100 [3.0]	16	13	1250 [589.9]	8083421
		RCF3621MTAM	36000 [10.6]	25900 [7.6]	10100 [3.0]	16	13	1250 [589.9]	7599680
		RCF3621STAM	34800 [10.2]	25100 [7.4]	9700 [2.8]	15.5	13	1025 [483.7]	7599687
		RCF3624HTAM	36000 [10.6]	25900 [7.6]	10100 [3.0]	16	13	1250 [589.9]	7599691
		RCF3624MTAM	36000 [10.6]	25900 [7.6]	10100 [3.0]	16	13	1250 [589.9]	7599697
RA1436AC1	R802VA100521MXA	RCF3621MTAM	36000 [10.6]	25900 [7.6]	10100 [3.0]	16	13	1250 [589.9]	8052928
		RCF3621STAM	34800 [10.2]	25100 [7.4]	9700 [2.8]	15.5	13	1025 [483.7]	8052941
		RCF3624HTAM	36000 [10.6]	25900 [7.6]	10100 [3.0]	16	13	1250 [589.9]	8052951
		RCF3624MTAM	36000 [10.6]	25900 [7.6]	10100 [3.0]	16	13	1250 [589.9]	8052963
RA1436AC1	R802VA100521ZSA	RCF3621MTAM	36000 [10.6]	25900 [7.6]	10100 [3.0]	16	13	1050 [495.5]	7599681
		RCF3621STAM	34800 [10.2]	25200 [7.4]	9600 [2.8]	15.1	12.5	1050 [495.5]	7599688
		RCF3624HTAM	36000 [10.6]	25900 [7.6]	10100 [3.0]	16	13	1200 [566.3]	7599692
		RCF3624MTAM	36000 [10.6]	25900 [7.6]	10100 [3.0]	16	13	1050 [495.5]	7599698
RA1436AC1	R802VA100521ZXA	RCF3621MTAM	36000 [10.6]	25900 [7.6]	10100 [3.0]	16	13	1050 [495.5]	8052929
		RCF3621STAM	34800 [10.2]	25200 [7.4]	9600 [2.8]	15.1	12.5	1050 [495.5]	8052942
		RCF3624HTAM	36000 [10.6]	25900 [7.6]	10100 [3.0]	16	13	1200 [566.3]	8052952
		RCF3624MTAM	36000 [10.6]	25900 [7.6]	10100 [3.0]	16	13	1050 [495.5]	8052964
RA1436AC1	R802VA125524MSA	RCF3624HTAM	36000 [10.6]	25900 [7.6]	10100 [3.0]	16	13	1250 [589.9]	7599693
		RCF3624MTAM	36000 [10.6]	25900 [7.6]	10100 [3.0]	16	13	1250 [589.9]	7599699
RA1436AC1	R802VA125524MXA	RCF3624HTAM	36000 [10.6]	25900 [7.6]	10100 [3.0]	16	13	1250 [589.9]	8052953
		RCF3624MTAM	36000 [10.6]	25900 [7.6]	10100 [3.0]	16	13	1250 [589.9]	8052965
RA1436AC1	R802VA125524ZSA	RCF3624HTAM	36000 [10.6]	25900 [7.6]	10100 [3.0]	16	13	1200 [566.3]	7599694
		RCF3624MTAM	36000 [10.6]	25900 [7.6]	10100 [3.0]	16	13	1150 [542.7]	7599700

[] Designates Metric Conversions

Performance Data @ AHRI Standard Conditions – Cooling (con't.)

R802V: Ultra 2-Stage 80% ECM Furnace Ratings									
Outdoor Unit	Furnace	Indoor Coil	Total Capacity BTU/H [kW]	Net Sensible BTU/H [kW]	Net Latent BTU/H [kW]	SEER	EER	Indoor CFM [L/s]	AHRI#
RA1436AC1	R802VA125524ZXA	RCF3624HTAM	36000 [10.6]	25900 [7.6]	10100 [3.0]	16	13	1200 [566.3]	8052954
		RCF3624MTAM	36000 [10.6]	25900 [7.6]	10100 [3.0]	16	13	1150 [542.7]	8052966
RA1436AD1	R802VA050317MSA	RCF3617STAM	34000 [10.0]	24100 [7.1]	9900 [2.9]	14.5	12	975 [460.1]	7599738
		RCF3621HTAM	36000 [10.6]	25900 [7.6]	10100 [3.0]	15.5	13	1100 [519.1]	8083444
		RCF3621MTAM	36000 [10.6]	25900 [7.6]	10100 [3.0]	15.1	12.5	1100 [519.1]	7599763
		RCF3621STAM	34200 [10.0]	24300 [7.1]	9900 [2.9]	14.5	12	975 [460.1]	7599804
RA1436AD1	R802VA050317MXA	RCF3617STAM	34000 [10.0]	24100 [7.1]	9900 [2.9]	14.5	12	975 [460.1]	8053027
		RCF3621MTAM	36000 [10.6]	25900 [7.6]	10100 [3.0]	15.1	12.5	1100 [519.1]	8053036
		RCF3621STAM	34200 [10.0]	24300 [7.1]	9900 [2.9]	14.5	12	975 [460.1]	8053049
RA1436AD1	R802VA075317MSA	RCF3617STAM	34800 [10.2]	25100 [7.4]	9700 [2.8]	15.1	12.5	1025 [483.7]	7599739
		RCF3621HTAM	36000 [10.6]	25900 [7.6]	10100 [3.0]	16	13	1150 [542.7]	8083445
		RCF3621MTAM	36000 [10.6]	25900 [7.6]	10100 [3.0]	16	13	1025 [483.7]	7599764
		RCF3621STAM	34800 [10.2]	25100 [7.4]	9700 [2.8]	15.1	12.5	1025 [483.7]	7599805
RA1436AD1	R802VA075317MXA	RCF3617STAM	34800 [10.2]	25100 [7.4]	9700 [2.8]	15.1	12.5	1025 [483.7]	8053028
		RCF3621MTAM	36000 [10.6]	25900 [7.6]	10100 [3.0]	16	13	1025 [483.7]	8053037
		RCF3621STAM	34800 [10.2]	25100 [7.4]	9700 [2.8]	15.1	12.5	1025 [483.7]	8053050
RA1436AD1	R802VA075317ZSA	RCF3617STAM	34800 [10.2]	25400 [7.4]	9400 [2.8]	14.5	12	1100 [519.1]	7599740
		RCF3621MTAM	36000 [10.6]	25900 [7.6]	10100 [3.0]	15.5	13	1100 [519.1]	7599765
		RCF3621STAM	34800 [10.2]	25400 [7.4]	9400 [2.8]	14.5	12	1100 [519.1]	7599806
RA1436AD1	R802VA075317ZXA	RCF3617STAM	34800 [10.2]	25400 [7.4]	9400 [2.8]	14.5	12	1100 [519.1]	8053029
		RCF3621MTAM	36000 [10.6]	25900 [7.6]	10100 [3.0]	15.5	13	1100 [519.1]	8053038
		RCF3621STAM	34800 [10.2]	25400 [7.4]	9400 [2.8]	14.5	12	1100 [519.1]	8053051
RA1436AD1	R802VA075421MSA	RCF3621HTAM	36000 [10.6]	25900 [7.6]	10100 [3.0]	16	13	1250 [589.9]	8083446
		RCF3621MTAM	36000 [10.6]	25900 [7.6]	10100 [3.0]	16	13	1125 [530.9]	8053039
		RCF3621STAM	35200 [10.3]	25900 [7.6]	9300 [2.7]	15.1	12.5	1125 [530.9]	8053052
		RCF3624HTAM	36000 [10.6]	25900 [7.6]	10100 [3.0]	16	13	1250 [589.9]	8053062
		RCF3624MTAM	36000 [10.6]	25900 [7.6]	10100 [3.0]	16	13	1125 [530.9]	8053074
RA1436AD1	R802VA075421ZSA	RCF3621MTAM	36000 [10.6]	25900 [7.6]	10100 [3.0]	15.5	13	1250 [589.9]	7599766
		RCF3621STAM	34800 [10.2]	25100 [7.4]	9700 [2.8]	15.1	12.5	1025 [483.7]	7599807
		RCF3624HTAM	36000 [10.6]	25900 [7.6]	10100 [3.0]	16	13	1250 [589.9]	7599845
		RCF3624MTAM	36000 [10.6]	25900 [7.6]	10100 [3.0]	15.5	13	1250 [589.9]	7599878
RA1436AD1	R802VA075421ZXA	RCF3621MTAM	36000 [10.6]	25900 [7.6]	10100 [3.0]	15.5	13	1250 [589.9]	8053040
		RCF3621STAM	34800 [10.2]	25100 [7.4]	9700 [2.8]	15.1	12.5	1025 [483.7]	8053053
		RCF3624HTAM	36000 [10.6]	25900 [7.6]	10100 [3.0]	16	13	1250 [589.9]	8053063
		RCF3624MTAM	36000 [10.6]	25900 [7.6]	10100 [3.0]	15.5	13	1250 [589.9]	8053075
RA1436AD1	R802VA100521MSA	RCF3621HTAM	36000 [10.6]	25900 [7.6]	10100 [3.0]	16	13	1250 [589.9]	8083447
		RCF3621MTAM	36000 [10.6]	25900 [7.6]	10100 [3.0]	16	13	1250 [589.9]	7599767
		RCF3621STAM	34800 [10.2]	25100 [7.4]	9700 [2.8]	15.5	13	1025 [483.7]	7599808
		RCF3624HTAM	36000 [10.6]	25900 [7.6]	10100 [3.0]	16	13	1250 [589.9]	7599846
		RCF3624MTAM	36000 [10.6]	25900 [7.6]	10100 [3.0]	16	13	1250 [589.9]	7599879
RA1436AD1	R802VA100521MXA	RCF3621MTAM	36000 [10.6]	25900 [7.6]	10100 [3.0]	16	13	1250 [589.9]	8053041
		RCF3621STAM	34800 [10.2]	25100 [7.4]	9700 [2.8]	15.5	13	1025 [483.7]	8053054
		RCF3624HTAM	36000 [10.6]	25900 [7.6]	10100 [3.0]	16	13	1250 [589.9]	8053064
		RCF3624MTAM	36000 [10.6]	25900 [7.6]	10100 [3.0]	16	13	1250 [589.9]	8053076
RA1436AD1	R802VA100521ZSA	RCF3621MTAM	36000 [10.6]	25900 [7.6]	10100 [3.0]	16	13	1050 [495.5]	7599768
		RCF3621STAM	34800 [10.2]	25200 [7.4]	9600 [2.8]	15.1	12.5	1050 [495.5]	7599809
		RCF3624HTAM	36000 [10.6]	25900 [7.6]	10100 [3.0]	16	13	1200 [566.3]	7599847
		RCF3624MTAM	36000 [10.6]	25900 [7.6]	10100 [3.0]	16	13	1050 [495.5]	7599880

[] Designates Metric Conversions

Performance Data @ AHRI Standard Conditions – Cooling (con't.)

R802V: Ultra 2-Stage 80% ECM Furnace Ratings									
Outdoor Unit	Furnace	Indoor Coil	Total Capacity BTU/H [kW]	Net Sensible BTU/H [kW]	Net Latent BTU/H [kW]	SEER	EER	Indoor CFM [L/s]	AHRI#
RA1436AD1	R802VA100521ZXA	RCF3621MTAM	36000 [10.6]	25900 [7.6]	10100 [3.0]	16	13	1050 [495.5]	8053042
		RCF3621STAM	34800 [10.2]	25200 [7.4]	9600 [2.8]	15.1	12.5	1050 [495.5]	8053055
		RCF3624HTAM	36000 [10.6]	25900 [7.6]	10100 [3.0]	16	13	1200 [566.3]	8053065
		RCF3624MTAM	36000 [10.6]	25900 [7.6]	10100 [3.0]	16	13	1050 [495.5]	8053077
RA1436AD1	R802VA125524MSA	RCF3624HTAM	36000 [10.6]	25900 [7.6]	10100 [3.0]	16	13	1250 [589.9]	7599848
		RCF3624MTAM	36000 [10.6]	25900 [7.6]	10100 [3.0]	16	13	1250 [589.9]	7599881
RA1436AD1	R802VA125524MXA	RCF3624HTAM	36000 [10.6]	25900 [7.6]	10100 [3.0]	16	13	1250 [589.9]	8053066
		RCF3624MTAM	36000 [10.6]	25900 [7.6]	10100 [3.0]	16	13	1250 [589.9]	8053078
RA1436AD1	R802VA125524ZSA	RCF3624HTAM	36000 [10.6]	25900 [7.6]	10100 [3.0]	16	13	1200 [566.3]	7599849
		RCF3624MTAM	36000 [10.6]	25900 [7.6]	10100 [3.0]	16	13	1150 [542.7]	7599882
RA1436AD1	R802VA125524ZXA	RCF3624HTAM	36000 [10.6]	25900 [7.6]	10100 [3.0]	16	13	1200 [566.3]	8053067
		RCF3624MTAM	36000 [10.6]	25900 [7.6]	10100 [3.0]	16	13	1150 [542.7]	8053079
RA1436AJ1	R802VA050317MSA	RCF3617STAM	34000 [10.0]	24100 [7.1]	9900 [2.9]	14.5	12	975 [460.1]	7600173
		RCF3621HTAM	36000 [10.6]	25900 [7.6]	10100 [3.0]	15.5	13	1100 [519.1]	8083470
		RCF3621MTAM	36000 [10.6]	25900 [7.6]	10100 [3.0]	15.1	12.5	1100 [519.1]	7600177
		RCF3621STAM	34200 [10.0]	24300 [7.1]	9900 [2.9]	14.5	12	975 [460.1]	7600184
RA1436AJ1	R802VA050317MXA	RCF3617STAM	34000 [10.0]	24100 [7.1]	9900 [2.9]	14.5	12	975 [460.1]	8053140
		RCF3621MTAM	36000 [10.6]	25900 [7.6]	10100 [3.0]	15.1	12.5	1100 [519.1]	8053149
		RCF3621STAM	34200 [10.0]	24300 [7.1]	9900 [2.9]	14.5	12	975 [460.1]	8053162
RA1436AJ1	R802VA075317MSA	RCF3617STAM	34800 [10.2]	25100 [7.4]	9700 [2.8]	15.1	12.5	1025 [483.7]	7600174
		RCF3621HTAM	36000 [10.6]	25900 [7.6]	10100 [3.0]	16	13	1150 [542.7]	8083471
		RCF3621MTAM	36000 [10.6]	25900 [7.6]	10100 [3.0]	16	13	1025 [483.7]	7600178
		RCF3621STAM	34800 [10.2]	25100 [7.4]	9700 [2.8]	15.1	12.5	1025 [483.7]	7600185
RA1436AJ1	R802VA075317MXA	RCF3617STAM	34800 [10.2]	25100 [7.4]	9700 [2.8]	15.1	12.5	1025 [483.7]	8053141
		RCF3621MTAM	36000 [10.6]	25900 [7.6]	10100 [3.0]	16	13	1025 [483.7]	8053150
		RCF3621STAM	34800 [10.2]	25100 [7.4]	9700 [2.8]	15.1	12.5	1025 [483.7]	8053163
RA1436AJ1	R802VA075317ZSA	RCF3617STAM	34800 [10.2]	25400 [7.4]	9400 [2.8]	14.5	12	1100 [519.1]	7600175
		RCF3621MTAM	36000 [10.6]	25900 [7.6]	10100 [3.0]	15.5	13	1100 [519.1]	7600179
		RCF3621STAM	34800 [10.2]	25400 [7.4]	9400 [2.8]	14.5	12	1100 [519.1]	7600186
RA1436AJ1	R802VA075317ZXA	RCF3617STAM	34800 [10.2]	25400 [7.4]	9400 [2.8]	14.5	12	1100 [519.1]	8053142
		RCF3621MTAM	36000 [10.6]	25900 [7.6]	10100 [3.0]	15.5	13	1100 [519.1]	8053151
		RCF3621STAM	34800 [10.2]	25400 [7.4]	9400 [2.8]	14.5	12	1100 [519.1]	8053164
RA1436AJ1	R802VA075421MSA	RCF3621HTAM	36000 [10.6]	25900 [7.6]	10100 [3.0]	16	13	1250 [589.9]	8083472
		RCF3621MTAM	36000 [10.6]	25900 [7.6]	10100 [3.0]	16	13	1125 [530.9]	8053152
		RCF3621STAM	35200 [10.3]	25900 [7.6]	9300 [2.7]	15.1	12.5	1125 [530.9]	8053165
		RCF3624HTAM	36000 [10.6]	25900 [7.6]	10100 [3.0]	16	13	1250 [589.9]	8053175
		RCF3624MTAM	36000 [10.6]	25900 [7.6]	10100 [3.0]	16	13	1125 [530.9]	8053187
RA1436AJ1	R802VA075421ZSA	RCF3621MTAM	36000 [10.6]	25900 [7.6]	10100 [3.0]	15.5	13	1250 [589.9]	7600180
		RCF3621STAM	34800 [10.2]	25100 [7.4]	9700 [2.8]	15.1	12.5	1025 [483.7]	7600187
		RCF3624HTAM	36000 [10.6]	25900 [7.6]	10100 [3.0]	16	13	1250 [589.9]	7600191
		RCF3624MTAM	36000 [10.6]	25900 [7.6]	10100 [3.0]	15.5	13	1250 [589.9]	7600197
RA1436AJ1	R802VA075421ZXA	RCF3621MTAM	36000 [10.6]	25900 [7.6]	10100 [3.0]	15.5	13	1250 [589.9]	8053153
		RCF3621STAM	34800 [10.2]	25100 [7.4]	9700 [2.8]	15.1	12.5	1025 [483.7]	8053166
		RCF3624HTAM	36000 [10.6]	25900 [7.6]	10100 [3.0]	16	13	1250 [589.9]	8053176
		RCF3624MTAM	36000 [10.6]	25900 [7.6]	10100 [3.0]	15.5	13	1250 [589.9]	8053188
RA1436AJ1	R802VA100521MSA	RCF3621HTAM	36000 [10.6]	25900 [7.6]	10100 [3.0]	16	13	1250 [589.9]	8083473
		RCF3621MTAM	36000 [10.6]	25900 [7.6]	10100 [3.0]	16	13	1250 [589.9]	7600181
		RCF3621STAM	34800 [10.2]	25100 [7.4]	9700 [2.8]	15.5	13	1025 [483.7]	7600188
		RCF3624HTAM	36000 [10.6]	25900 [7.6]	10100 [3.0]	16	13	1250 [589.9]	7600192
		RCF3624MTAM	36000 [10.6]	25900 [7.6]	10100 [3.0]	16	13	1250 [589.9]	7600198

[] Designates Metric Conversions

Performance Data @ AHRI Standard Conditions – Cooling (con't.)

R802V: Ultra 2-Stage 80% ECM Furnace Ratings									
Outdoor Unit	Furnace	Indoor Coil	Total Capacity BTU/H [kW]	Net Sensible BTU/H [kW]	Net Latent BTU/H [kW]	SEER	EER	Indoor CFM [L/s]	AHRI#
RA1436AJ1	R802VA100521MXA	RCF3621MTAM	36000 [10.6]	25900 [7.6]	10100 [3.0]	16	13	1250 [589.9]	8053154
		RCF3621STAM	34800 [10.2]	25100 [7.4]	9700 [2.8]	15.5	13	1025 [483.7]	8053167
		RCF3624HTAM	36000 [10.6]	25900 [7.6]	10100 [3.0]	16	13	1250 [589.9]	8053177
		RCF3624MTAM	36000 [10.6]	25900 [7.6]	10100 [3.0]	16	13	1250 [589.9]	8053189
RA1436AJ1	R802VA100521ZSA	RCF3621MTAM	36000 [10.6]	25900 [7.6]	10100 [3.0]	16	13	1050 [495.5]	7600182
		RCF3621STAM	34800 [10.2]	25200 [7.4]	9600 [2.8]	15.1	12.5	1050 [495.5]	7600189
		RCF3624HTAM	36000 [10.6]	25900 [7.6]	10100 [3.0]	16	13	1200 [566.3]	7600193
		RCF3624MTAM	36000 [10.6]	25900 [7.6]	10100 [3.0]	16	13	1050 [495.5]	7600199
RA1436AJ1	R802VA100521ZXA	RCF3621MTAM	36000 [10.6]	25900 [7.6]	10100 [3.0]	16	13	1050 [495.5]	8053155
		RCF3621STAM	34800 [10.2]	25200 [7.4]	9600 [2.8]	15.1	12.5	1050 [495.5]	8053168
		RCF3624HTAM	36000 [10.6]	25900 [7.6]	10100 [3.0]	16	13	1200 [566.3]	8053178
		RCF3624MTAM	36000 [10.6]	25900 [7.6]	10100 [3.0]	16	13	1050 [495.5]	8053190
RA1436AJ1	R802VA125524MSA	RCF3624HTAM	36000 [10.6]	25900 [7.6]	10100 [3.0]	16	13	1250 [589.9]	7600194
		RCF3624MTAM	36000 [10.6]	25900 [7.6]	10100 [3.0]	16	13	1250 [589.9]	7600200
RA1436AJ1	R802VA125524MXA	RCF3624HTAM	36000 [10.6]	25900 [7.6]	10100 [3.0]	16	13	1250 [589.9]	8053179
		RCF3624MTAM	36000 [10.6]	25900 [7.6]	10100 [3.0]	16	13	1250 [589.9]	8053191
RA1436AJ1	R802VA125524ZSA	RCF3624HTAM	36000 [10.6]	25900 [7.6]	10100 [3.0]	16	13	1200 [566.3]	7600195
		RCF3624MTAM	36000 [10.6]	25900 [7.6]	10100 [3.0]	16	13	1150 [542.7]	7600201
RA1436AJ1	R802VA125524ZXA	RCF3624HTAM	36000 [10.6]	25900 [7.6]	10100 [3.0]	16	13	1200 [566.3]	8053180
		RCF3624MTAM	36000 [10.6]	25900 [7.6]	10100 [3.0]	16	13	1150 [542.7]	8053192
RA1442AC1	R802VA050317MSA	RCF4821MTAM	41500 [12.2]	27900 [8.2]	13600 [4.0]	14.5	12	1175 [554.5]	8083496
		RCF4821STAM	40500 [11.9]	28400 [8.3]	12100 [3.5]	14.5	12	1100 [519.1]	7600234
RA1442AC1	R802VA050317MXA	RCF4821STAM	40500 [11.9]	28400 [8.3]	12100 [3.5]	14.5	12	1100 [519.1]	8053256
RA1442AC1	R802VA075317MSA	RCF4821MTAM	42000 [12.3]	28300 [8.3]	13700 [4.0]	15.1	12.5	1150 [542.7]	8083497
		RCF4821STAM	41000 [12.0]	29200 [8.6]	11800 [3.5]	14.5	12	1150 [542.7]	7600235
RA1442AC1	R802VA075317MXA	RCF4821STAM	41000 [12.0]	29200 [8.6]	11800 [3.5]	14.5	12	1150 [542.7]	8053257
RA1442AC1	R802VA075317ZSA	RCF4821STAM	41000 [12.0]	29400 [8.6]	11600 [3.4]	14.5	12	1200 [566.3]	7600236
RA1442AC1	R802VA075317ZXA	RCF4821STAM	41000 [12.0]	29400 [8.6]	11600 [3.4]	14.5	12	1200 [566.3]	8053258
RA1442AC1	R802VA075421MSA	RCF4821MTAM	42000 [12.3]	31600 [9.3]	10400 [3.0]	15.5	13	1250 [589.9]	8083498
		RCF4821STAM	41500 [12.2]	30200 [8.9]	11300 [3.3]	15.1	12.5	1250 [589.9]	8053259
		RCF4824HTAM	42000 [12.3]	31600 [9.3]	10400 [3.0]	15.5	13	1350 [637.1]	8053269
		RCF4824STAM	41500 [12.2]	30200 [8.9]	11300 [3.3]	15.1	12.5	1250 [589.9]	8053281
RA1442AC1	R802VA075421ZSA	RCF4821STAM	41000 [12.0]	29000 [8.5]	12000 [3.5]	15	12.5	1125 [530.9]	7600237
		RCF4824HTAM	42000 [12.3]	31600 [9.3]	10400 [3.0]	15.1	12.5	1400 [660.7]	7600241
		RCF4824STAM	41000 [12.0]	29000 [8.5]	12000 [3.5]	15	12.5	1125 [530.9]	7600247
RA1442AC1	R802VA075421ZXA	RCF4821STAM	41000 [12.0]	29000 [8.5]	12000 [3.5]	15	12.5	1125 [530.9]	8053260
		RCF4824HTAM	42000 [12.3]	31600 [9.3]	10400 [3.0]	15.1	12.5	1400 [660.7]	8053270
		RCF4824STAM	41000 [12.0]	29000 [8.5]	12000 [3.5]	15	12.5	1125 [530.9]	8053282
RA1442AC1	R802VA100521MSA	RCF4821MTAM	42000 [12.3]	31600 [9.3]	10400 [3.0]	15.5	13	1400 [660.7]	8083499
		RCF4821STAM	42000 [12.3]	31600 [9.3]	10400 [3.0]	15.1	12.5	1400 [660.7]	7600238
		RCF4824HTAM	42000 [12.3]	31600 [9.3]	10400 [3.0]	15.5	13	1400 [660.7]	7600242
		RCF4824STAM	42000 [12.3]	31600 [9.3]	10400 [3.0]	15.1	12.5	1400 [660.7]	7600248
RA1442AC1	R802VA100521MXA	RCF4821STAM	42000 [12.3]	31600 [9.3]	10400 [3.0]	15.1	12.5	1400 [660.7]	8053261
		RCF4824HTAM	42000 [12.3]	31600 [9.3]	10400 [3.0]	15.5	13	1400 [660.7]	8053271
		RCF4824STAM	42000 [12.3]	31600 [9.3]	10400 [3.0]	15.1	12.5	1400 [660.7]	8053283
RA1442AC1	R802VA100521ZSA	RCF4821STAM	41500 [12.2]	30200 [8.9]	11300 [3.3]	15	12.5	1250 [589.9]	7600239
		RCF4824HTAM	42000 [12.3]	31600 [9.3]	10400 [3.0]	15.5	13	1250 [589.9]	7600243
		RCF4824STAM	41500 [12.2]	30200 [8.9]	11300 [3.3]	15	12.5	1250 [589.9]	7600249

[] Designates Metric Conversions

Performance Data @ AHRI Standard Conditions – Cooling (con't.)

R802V: Ultra 2-Stage 80% ECM Furnace Ratings									
Outdoor Unit	Furnace	Indoor Coil	Total Capacity BTU/H [kW]	Net Sensible BTU/H [kW]	Net Latent BTU/H [kW]	SEER	EER	Indoor CFM [L/s]	AHRI#
RA1442AC1	R802VA100521ZXA	RCF4821STAM	41500 [12.2]	30200 [8.9]	11300 [3.3]	15	12.5	1250 [589.9]	8053262
		RCF4824HTAM	42000 [12.3]	31600 [9.3]	10400 [3.0]	15.5	13	1250 [589.9]	8053272
		RCF4824STAM	41500 [12.2]	30200 [8.9]	11300 [3.3]	15	12.5	1250 [589.9]	8053284
RA1442AC1	R802VA125524MSA	RCF4824HTAM	42000 [12.3]	31600 [9.3]	10400 [3.0]	16	13	1250 [589.9]	7600244
		RCF4824STAM	42000 [12.3]	31600 [9.3]	10400 [3.0]	15.1	12.5	1475 [696.1]	7600250
RA1442AC1	R802VA125524MXA	RCF4824HTAM	42000 [12.3]	31600 [9.3]	10400 [3.0]	16	13	1250 [589.9]	8053273
		RCF4824STAM	42000 [12.3]	31600 [9.3]	10400 [3.0]	15.1	12.5	1475 [696.1]	8053285
RA1442AC1	R802VA125524ZSA	RCF4824HTAM	42000 [12.3]	31600 [9.3]	10400 [3.0]	15.5	13	1400 [660.7]	7600245
		RCF4824STAM	41500 [12.2]	30200 [8.9]	11300 [3.3]	15.1	12.5	1250 [589.9]	7600251
RA1442AC1	R802VA125524ZXA	RCF4824HTAM	42000 [12.3]	31600 [9.3]	10400 [3.0]	15.5	13	1400 [660.7]	8053274
		RCF4824STAM	41500 [12.2]	30200 [8.9]	11300 [3.3]	15.1	12.5	1250 [589.9]	8053286
RA1442AD1	R802VA050317MSA	RCF4821MTAM	41500 [12.2]	27900 [8.2]	13600 [4.0]	14.5	12	1175 [554.5]	8083524
		RCF4821STAM	40500 [11.9]	28400 [8.3]	12100 [3.5]	14.5	12	1100 [519.1]	7600279
RA1442AD1	R802VA050317MXA	RCF4821STAM	40500 [11.9]	28400 [8.3]	12100 [3.5]	14.5	12	1100 [519.1]	8053329
RA1442AD1	R802VA075317MSA	RCF4821MTAM	42000 [12.3]	28300 [8.3]	13700 [4.0]	15.1	12.5	1150 [542.7]	8083525
		RCF4821STAM	41000 [12.0]	29200 [8.6]	11800 [3.5]	14.5	12	1150 [542.7]	7600280
RA1442AD1	R802VA075317MXA	RCF4821STAM	41000 [12.0]	29200 [8.6]	11800 [3.5]	14.5	12	1150 [542.7]	8053330
RA1442AD1	R802VA075317ZSA	RCF4821STAM	41000 [12.0]	29400 [8.6]	11600 [3.4]	14.5	12	1200 [566.3]	7600281
RA1442AD1	R802VA075317ZXA	RCF4821STAM	41000 [12.0]	29400 [8.6]	11600 [3.4]	14.5	12	1200 [566.3]	8053331
RA1442AD1	R802VA075421MSA	RCF4821MTAM	42000 [12.3]	31600 [9.3]	10400 [3.0]	15.5	13	1250 [589.9]	8083526
		RCF4821STAM	41500 [12.2]	30200 [8.9]	11300 [3.3]	15.1	12.5	1250 [589.9]	8053332
		RCF4824HTAM	42000 [12.3]	31600 [9.3]	10400 [3.0]	15.5	13	1350 [637.1]	8053342
		RCF4824STAM	41500 [12.2]	30200 [8.9]	11300 [3.3]	15.1	12.5	1250 [589.9]	8053354
RA1442AD1	R802VA075421ZSA	RCF4821STAM	41000 [12.0]	29000 [8.5]	12000 [3.5]	15	12.5	1125 [530.9]	7600282
		RCF4824HTAM	42000 [12.3]	31600 [9.3]	10400 [3.0]	15.1	12.5	1400 [660.7]	7600317
		RCF4824STAM	41000 [12.0]	29000 [8.5]	12000 [3.5]	15	12.5	1125 [530.9]	7600353
RA1442AD1	R802VA075421ZXA	RCF4821STAM	41000 [12.0]	29000 [8.5]	12000 [3.5]	15	12.5	1125 [530.9]	8053333
		RCF4824HTAM	42000 [12.3]	31600 [9.3]	10400 [3.0]	15.1	12.5	1400 [660.7]	8053343
		RCF4824STAM	41000 [12.0]	29000 [8.5]	12000 [3.5]	15	12.5	1125 [530.9]	8053355
RA1442AD1	R802VA100521MSA	RCF4821MTAM	42000 [12.3]	31600 [9.3]	10400 [3.0]	15.5	13	1400 [660.7]	8083527
		RCF4821STAM	42000 [12.3]	31600 [9.3]	10400 [3.0]	15.1	12.5	1400 [660.7]	7600283
		RCF4824HTAM	42000 [12.3]	31600 [9.3]	10400 [3.0]	15.5	13	1400 [660.7]	7600318
		RCF4824STAM	42000 [12.3]	31600 [9.3]	10400 [3.0]	15.1	12.5	1400 [660.7]	7600354
RA1442AD1	R802VA100521MXA	RCF4821STAM	42000 [12.3]	31600 [9.3]	10400 [3.0]	15.1	12.5	1400 [660.7]	8053334
		RCF4824HTAM	42000 [12.3]	31600 [9.3]	10400 [3.0]	15.5	13	1400 [660.7]	8053344
		RCF4824STAM	42000 [12.3]	31600 [9.3]	10400 [3.0]	15.1	12.5	1400 [660.7]	8053356
RA1442AD1	R802VA100521ZSA	RCF4821STAM	41500 [12.2]	30200 [8.9]	11300 [3.3]	15	12.5	1250 [589.9]	7600284
		RCF4824HTAM	42000 [12.3]	31600 [9.3]	10400 [3.0]	15.5	13	1250 [589.9]	7600319
		RCF4824STAM	41500 [12.2]	30200 [8.9]	11300 [3.3]	15	12.5	1250 [589.9]	7600355
RA1442AD1	R802VA100521ZXA	RCF4821STAM	41500 [12.2]	30200 [8.9]	11300 [3.3]	15	12.5	1250 [589.9]	8053335
		RCF4824HTAM	42000 [12.3]	31600 [9.3]	10400 [3.0]	15.5	13	1250 [589.9]	8053345
		RCF4824STAM	41500 [12.2]	30200 [8.9]	11300 [3.3]	15	12.5	1250 [589.9]	8053357
RA1442AD1	R802VA125524MSA	RCF4824HTAM	42000 [12.3]	31600 [9.3]	10400 [3.0]	16	13	1250 [589.9]	7600320
		RCF4824STAM	42000 [12.3]	31600 [9.3]	10400 [3.0]	15.1	12.5	1475 [696.1]	7600356
RA1442AD1	R802VA125524MXA	RCF4824HTAM	42000 [12.3]	31600 [9.3]	10400 [3.0]	16	13	1250 [589.9]	8053346
		RCF4824STAM	42000 [12.3]	31600 [9.3]	10400 [3.0]	15.1	12.5	1475 [696.1]	8053358
RA1442AD1	R802VA125524ZSA	RCF4824HTAM	42000 [12.3]	31600 [9.3]	10400 [3.0]	15.5	13	1400 [660.7]	7600321
		RCF4824STAM	41500 [12.2]	30200 [8.9]	11300 [3.3]	15.1	12.5	1250 [589.9]	7600357

[] Designates Metric Conversions

Performance Data @ AHRI Standard Conditions – Cooling (con't.)

R802V: Ultra 2-Stage 80% ECM Furnace Ratings									
Outdoor Unit	Furnace	Indoor Coil	Total Capacity BTU/H [kW]	Net Sensible BTU/H [kW]	Net Latent BTU/H [kW]	SEER	EER	Indoor CFM [L/s]	AHRI#
RA1442AD1	R802VA125524ZXA	RCF4824HTAM	42000 [12.3]	31600 [9.3]	10400 [3.0]	15.5	13	1400 [660.7]	8053347
		RCF4824STAM	41500 [12.2]	30200 [8.9]	11300 [3.3]	15.1	12.5	1250 [589.9]	8053359
RA1442AJ1	R802VA050317MSA	RCF4821MTAM	41500 [12.2]	27900 [8.2]	13600 [4.0]	14.5	12	1175 [554.5]	8083553
		RCF4821STAM	40500 [11.9]	28400 [8.3]	12100 [3.5]	14.5	12	1100 [519.1]	7600519
RA1442AJ1	R802VA050317MXA	RCF4821STAM	40500 [11.9]	28400 [8.3]	12100 [3.5]	14.5	12	1100 [519.1]	8053402
RA1442AJ1	R802VA075317MSA	RCF4821MTAM	42000 [12.3]	28300 [8.3]	13700 [4.0]	15.1	12.5	1150 [542.7]	8083554
		RCF4821STAM	41000 [12.0]	29200 [8.6]	11800 [3.5]	14.5	12	1150 [542.7]	7600520
RA1442AJ1	R802VA075317MXA	RCF4821STAM	41000 [12.0]	29200 [8.6]	11800 [3.5]	14.5	12	1150 [542.7]	8053403
RA1442AJ1	R802VA075317ZSA	RCF4821STAM	41000 [12.0]	29400 [8.6]	11600 [3.4]	14.5	12	1200 [566.3]	7600521
RA1442AJ1	R802VA075317ZXA	RCF4821STAM	41000 [12.0]	29400 [8.6]	11600 [3.4]	14.5	12	1200 [566.3]	8053404
RA1442AJ1	R802VA075421MSA	RCF4821MTAM	42000 [12.3]	31600 [9.3]	10400 [3.0]	15.5	13	1250 [589.9]	8083555
		RCF4821STAM	41500 [12.2]	30200 [8.9]	11300 [3.3]	15.1	12.5	1250 [589.9]	8053405
		RCF4824HTAM	42000 [12.3]	31600 [9.3]	10400 [3.0]	15.5	13	1350 [637.1]	8053415
		RCF4824STAM	41500 [12.2]	30200 [8.9]	11300 [3.3]	15.1	12.5	1250 [589.9]	8053427
RA1442AJ1	R802VA075421ZSA	RCF4821STAM	41000 [12.0]	29000 [8.5]	12000 [3.5]	15	12.5	1125 [530.9]	7600522
		RCF4824HTAM	42000 [12.3]	31600 [9.3]	10400 [3.0]	15.1	12.5	1400 [660.7]	7600526
		RCF4824STAM	41000 [12.0]	29000 [8.5]	12000 [3.5]	15	12.5	1125 [530.9]	7600532
RA1442AJ1	R802VA075421ZXA	RCF4821STAM	41000 [12.0]	29000 [8.5]	12000 [3.5]	15	12.5	1125 [530.9]	8053406
		RCF4824HTAM	42000 [12.3]	31600 [9.3]	10400 [3.0]	15.1	12.5	1400 [660.7]	8053416
		RCF4824STAM	41000 [12.0]	29000 [8.5]	12000 [3.5]	15	12.5	1125 [530.9]	8053428
RA1442AJ1	R802VA100521MSA	RCF4821MTAM	42000 [12.3]	31600 [9.3]	10400 [3.0]	15.5	13	1400 [660.7]	8083556
		RCF4821STAM	42000 [12.3]	31600 [9.3]	10400 [3.0]	15.1	12.5	1400 [660.7]	7600523
		RCF4824HTAM	42000 [12.3]	31600 [9.3]	10400 [3.0]	15.5	13	1400 [660.7]	7600527
		RCF4824STAM	42000 [12.3]	31600 [9.3]	10400 [3.0]	15.1	12.5	1400 [660.7]	7600533
RA1442AJ1	R802VA100521MXA	RCF4821STAM	42000 [12.3]	31600 [9.3]	10400 [3.0]	15.1	12.5	1400 [660.7]	8053407
		RCF4824HTAM	42000 [12.3]	31600 [9.3]	10400 [3.0]	15.5	13	1400 [660.7]	8053417
		RCF4824STAM	42000 [12.3]	31600 [9.3]	10400 [3.0]	15.1	12.5	1400 [660.7]	8053429
RA1442AJ1	R802VA100521ZSA	RCF4821STAM	41500 [12.2]	30200 [8.9]	11300 [3.3]	15	12.5	1250 [589.9]	7600524
		RCF4824HTAM	42000 [12.3]	31600 [9.3]	10400 [3.0]	15.5	13	1250 [589.9]	7600528
		RCF4824STAM	41500 [12.2]	30200 [8.9]	11300 [3.3]	15	12.5	1250 [589.9]	7600534
RA1442AJ1	R802VA100521ZXA	RCF4821STAM	41500 [12.2]	30200 [8.9]	11300 [3.3]	15	12.5	1250 [589.9]	8053408
		RCF4824HTAM	42000 [12.3]	31600 [9.3]	10400 [3.0]	15.5	13	1250 [589.9]	8053418
		RCF4824STAM	41500 [12.2]	30200 [8.9]	11300 [3.3]	15	12.5	1250 [589.9]	8053430
RA1442AJ1	R802VA125524MSA	RCF4824HTAM	42000 [12.3]	31600 [9.3]	10400 [3.0]	16	13	1250 [589.9]	7600529
		RCF4824STAM	42000 [12.3]	31600 [9.3]	10400 [3.0]	15.1	12.5	1475 [696.1]	7600535
RA1442AJ1	R802VA125524MXA	RCF4824HTAM	42000 [12.3]	31600 [9.3]	10400 [3.0]	16	13	1250 [589.9]	8053419
		RCF4824STAM	42000 [12.3]	31600 [9.3]	10400 [3.0]	15.1	12.5	1475 [696.1]	8053431
RA1442AJ1	R802VA125524ZSA	RCF4824HTAM	42000 [12.3]	31600 [9.3]	10400 [3.0]	15.5	13	1400 [660.7]	7600530
		RCF4824STAM	41500 [12.2]	30200 [8.9]	11300 [3.3]	15.1	12.5	1250 [589.9]	7600536
RA1442AJ1	R802VA125524ZXA	RCF4824HTAM	42000 [12.3]	31600 [9.3]	10400 [3.0]	15.5	13	1400 [660.7]	8053420
		RCF4824STAM	41500 [12.2]	30200 [8.9]	11300 [3.3]	15.1	12.5	1250 [589.9]	8053432
RA1448AC1	R802VA075317ZSA	RCF4821STAM	45500 [13.3]	32500 [9.5]	13000 [3.8]	14	11.7	1325 [625.3]	7600557
RA1448AC1	R802VA075317ZXA	RCF4821STAM	45500 [13.3]	32500 [9.5]	13000 [3.8]	14	11.7	1325 [625.3]	8053475
RA1448AC1	R802VA075421MSA	RCF4821MTAM	46500 [13.6]	31000 [9.1]	15500 [4.5]	15.1	12.5	1250 [589.9]	8083584
		RCF4821STAM	46500 [13.6]	34300 [10.1]	12200 [3.6]	14.5	12	1475 [696.1]	8053476
		RCF4824HTAM	48000 [14.1]	33800 [9.9]	14200 [4.2]	15.1	12.5	1475 [696.1]	8053487
		RCF4824STAM	46500 [13.6]	34300 [10.1]	12200 [3.6]	14.5	12	1475 [696.1]	8053503

[] Designates Metric Conversions

Performance Data @ AHRI Standard Conditions – Cooling (con't.)

R802V: Ultra 2-Stage 80% ECM Furnace Ratings									
Outdoor Unit	Furnace	Indoor Coil	Total Capacity BTU/H [kW]	Net Sensible BTU/H [kW]	Net Latent BTU/H [kW]	SEER	EER	Indoor CFM [L/s]	AHRI#
RA1448AC1	R802VA075421ZSA	RCF4821STAM	45500 [13.3]	32000 [9.4]	13500 [4.0]	14.5	12	1250 [589.9]	7600558
		RCF4824HTAM	47500 [13.9]	33300 [9.8]	14200 [4.2]	14.5	12	1450 [684.3]	7600561
		RCF4824STAM	45500 [13.3]	32000 [9.4]	13500 [4.0]	14.5	12	1250 [589.9]	7600567
RA1448AC1	R802VA075421ZXA	RCF4821STAM	45500 [13.3]	32000 [9.4]	13500 [4.0]	14.5	12	1250 [589.9]	8053477
		RCF4824HTAM	47500 [13.9]	33300 [9.8]	14200 [4.2]	14.5	12	1450 [684.3]	8053488
		RCF4824STAM	45500 [13.3]	32000 [9.4]	13500 [4.0]	14.5	12	1250 [589.9]	8053505
RA1448AC1	R802VA100521MSA	RCF4821MTAM	47000 [13.8]	32400 [9.5]	14600 [4.3]	15.1	12.5	1400 [660.7]	8083586
		RCF4821STAM	45500 [13.3]	32000 [9.4]	13500 [4.0]	15.1	12.5	1250 [589.9]	7600559
		RCF4824HTAM	48000 [14.1]	33500 [9.8]	14500 [4.2]	15.5	13	1400 [660.7]	7600562
		RCF4824STAM	45500 [13.3]	32000 [9.4]	13500 [4.0]	15.1	12.5	1250 [589.9]	7600568
RA1448AC1	R802VA100521MXA	RCF4821STAM	45500 [13.3]	32000 [9.4]	13500 [4.0]	15.1	12.5	1250 [589.9]	8053478
		RCF4824HTAM	48000 [14.1]	33500 [9.8]	14500 [4.2]	15.5	13	1400 [660.7]	8053490
		RCF4824STAM	45500 [13.3]	32000 [9.4]	13500 [4.0]	15.1	12.5	1250 [589.9]	8053506
RA1448AC1	R802VA100521ZSA	RCF4821STAM	46500 [13.6]	34200 [10.0]	12300 [3.6]	14.5	12	1450 [684.3]	7600560
		RCF4824HTAM	47000 [13.8]	31900 [9.3]	15100 [4.4]	15.1	12.5	1300 [613.5]	7600563
		RCF4824STAM	46500 [13.6]	34200 [10.0]	12300 [3.6]	14.5	12	1450 [684.3]	7600569
RA1448AC1	R802VA100521ZXA	RCF4821STAM	46500 [13.6]	34200 [10.0]	12300 [3.6]	14.5	12	1450 [684.3]	8053479
		RCF4824HTAM	47000 [13.8]	31900 [9.3]	15100 [4.4]	15.1	12.5	1300 [613.5]	8053491
		RCF4824STAM	46500 [13.6]	34200 [10.0]	12300 [3.6]	14.5	12	1450 [684.3]	8053507
RA1448AC1	R802VA125524MSA	RCF4824HTAM	48000 [14.1]	33500 [9.8]	14500 [4.2]	15.5	13	1400 [660.7]	7600564
		RCF4824STAM	46000 [13.5]	33100 [9.7]	12900 [3.8]	15.1	12.5	1350 [637.1]	7600570
RA1448AC1	R802VA125524MXA	RCF4824HTAM	48000 [14.1]	33500 [9.8]	14500 [4.2]	15.5	13	1400 [660.7]	8053493
		RCF4824STAM	46000 [13.5]	33100 [9.7]	12900 [3.8]	15.1	12.5	1350 [637.1]	8053509
RA1448AC1	R802VA125524ZSA	RCF4824HTAM	48000 [14.1]	33800 [9.9]	14200 [4.2]	15.1	12.5	1450 [684.3]	7600565
		RCF4824STAM	46500 [13.6]	34600 [10.1]	11900 [3.5]	14.5	12	1500 [707.9]	7600571
RA1448AC1	R802VA125524ZXA	RCF4824HTAM	48000 [14.1]	33800 [9.9]	14200 [4.2]	15.1	12.5	1450 [684.3]	8053494
		RCF4824STAM	46500 [13.6]	34600 [10.1]	11900 [3.5]	14.5	12	1500 [707.9]	8053510
RA1448AD1	R802VA075317ZSA	RCF4821STAM	45500 [13.3]	32500 [9.5]	13000 [3.8]	14	11.7	1325 [625.3]	7600601
RA1448AD1	R802VA075317ZXA	RCF4821STAM	45500 [13.3]	32500 [9.5]	13000 [3.8]	14	11.7	1325 [625.3]	8053579
RA1448AD1	R802VA075421MSA	RCF4821MTAM	46500 [13.6]	31000 [9.1]	15500 [4.5]	15.1	12.5	1250 [589.9]	8083608
		RCF4821STAM	46500 [13.6]	34300 [10.1]	12200 [3.6]	14.5	12	1475 [696.1]	8053581
		RCF4824HTAM	48000 [14.1]	33800 [9.9]	14200 [4.2]	15.1	12.5	1475 [696.1]	8053591
		RCF4824STAM	46500 [13.6]	34300 [10.1]	12200 [3.6]	14.5	12	1475 [696.1]	8053603
RA1448AD1	R802VA075421ZSA	RCF4821STAM	45500 [13.3]	32000 [9.4]	13500 [4.0]	14.5	12	1250 [589.9]	7600602
		RCF4824HTAM	47500 [13.9]	33300 [9.8]	14200 [4.2]	14.5	12	1450 [684.3]	7600633
		RCF4824STAM	45500 [13.3]	32000 [9.4]	13500 [4.0]	14.5	12	1250 [589.9]	7600666
RA1448AD1	R802VA075421ZXA	RCF4821STAM	45500 [13.3]	32000 [9.4]	13500 [4.0]	14.5	12	1250 [589.9]	8053582
		RCF4824HTAM	47500 [13.9]	33300 [9.8]	14200 [4.2]	14.5	12	1450 [684.3]	8053592
		RCF4824STAM	45500 [13.3]	32000 [9.4]	13500 [4.0]	14.5	12	1250 [589.9]	8053604
RA1448AD1	R802VA100521MSA	RCF4821MTAM	47000 [13.8]	32400 [9.5]	14600 [4.3]	15.1	12.5	1400 [660.7]	8083610
		RCF4821STAM	45500 [13.3]	32000 [9.4]	13500 [4.0]	15.1	12.5	1250 [589.9]	7600603
		RCF4824HTAM	48000 [14.1]	33500 [9.8]	14500 [4.2]	15.5	13	1400 [660.7]	7600634
		RCF4824STAM	45500 [13.3]	32000 [9.4]	13500 [4.0]	15.1	12.5	1250 [589.9]	7600667
RA1448AD1	R802VA100521MXA	RCF4821STAM	45500 [13.3]	32000 [9.4]	13500 [4.0]	15.1	12.5	1250 [589.9]	8053583
		RCF4824HTAM	48000 [14.1]	33500 [9.8]	14500 [4.2]	15.5	13	1400 [660.7]	8053593
		RCF4824STAM	45500 [13.3]	32000 [9.4]	13500 [4.0]	15.1	12.5	1250 [589.9]	8053605
RA1448AD1	R802VA100521ZSA	RCF4821STAM	46500 [13.6]	34200 [10.0]	12300 [3.6]	14.5	12	1450 [684.3]	7600604
		RCF4824HTAM	47000 [13.8]	31900 [9.3]	15100 [4.4]	15.1	12.5	1300 [613.5]	7600635
		RCF4824STAM	46500 [13.6]	34200 [10.0]	12300 [3.6]	14.5	12	1450 [684.3]	7600668

[] Designates Metric Conversions

Performance Data @ AHRI Standard Conditions – Cooling (con't.)

R802V: Ultra 2-Stage 80% ECM Furnace Ratings									
Outdoor Unit	Furnace	Indoor Coil	Total Capacity BTU/H [kW]	Net Sensible BTU/H [kW]	Net Latent BTU/H [kW]	SEER	EER	Indoor CFM [L/s]	AHRI#
RA1448AD1	R802VA100521ZXA	RCF4821STAM	46500 [13.6]	34200 [10.0]	12300 [3.6]	14.5	12	1450 [684.3]	8053584
		RCF4824HTAM	47000 [13.8]	31900 [9.3]	15100 [4.4]	15.1	12.5	1300 [613.5]	8053594
		RCF4824STAM	46500 [13.6]	34200 [10.0]	12300 [3.6]	14.5	12	1450 [684.3]	8053606
RA1448AD1	R802VA125524MSA	RCF4824HTAM	48000 [14.1]	33500 [9.8]	14500 [4.2]	15.5	13	1400 [660.7]	7600636
		RCF4824STAM	46000 [13.5]	33100 [9.7]	12900 [3.8]	15.1	12.5	1350 [637.1]	7600669
RA1448AD1	R802VA125524MXA	RCF4824HTAM	48000 [14.1]	33500 [9.8]	14500 [4.2]	15.5	13	1400 [660.7]	8053595
		RCF4824STAM	46000 [13.5]	33100 [9.7]	12900 [3.8]	15.1	12.5	1350 [637.1]	8053607
RA1448AD1	R802VA125524ZSA	RCF4824HTAM	48000 [14.1]	33800 [9.9]	14200 [4.2]	15.1	12.5	1450 [684.3]	7600637
		RCF4824STAM	46500 [13.6]	34600 [10.1]	11900 [3.5]	14.5	12	1500 [707.9]	7600670
RA1448AD1	R802VA125524ZXA	RCF4824HTAM	48000 [14.1]	33800 [9.9]	14200 [4.2]	15.1	12.5	1450 [684.3]	8053596
		RCF4824STAM	46500 [13.6]	34600 [10.1]	11900 [3.5]	14.5	12	1500 [707.9]	8053608
RA1448AJ1	R802VA075317ZSA	RCF4821STAM	45500 [13.3]	32500 [9.5]	13000 [3.8]	14	11.7	1325 [625.3]	7600869
RA1448AJ1	R802VA075317ZXA	RCF4821STAM	45500 [13.3]	32500 [9.5]	13000 [3.8]	14	11.7	1325 [625.3]	8053664
RA1448AJ1	R802VA075421MSA	RCF4821MTAM	46500 [13.6]	31000 [9.1]	15500 [4.5]	15.1	12.5	1250 [589.9]	8083633
		RCF4821STAM	46500 [13.6]	34300 [10.1]	12200 [3.6]	14.5	12	1475 [696.1]	8053665
		RCF4824HTAM	48000 [14.1]	33800 [9.9]	14200 [4.2]	15.1	12.5	1475 [696.1]	8053679
		RCF4824STAM	46500 [13.6]	34300 [10.1]	12200 [3.6]	14.5	12	1475 [696.1]	8053695
RA1448AJ1	R802VA075421ZSA	RCF4821STAM	45500 [13.3]	32000 [9.4]	13500 [4.0]	14.5	12	1250 [589.9]	7600870
		RCF4824HTAM	47500 [13.9]	33300 [9.8]	14200 [4.2]	14.5	12	1450 [684.3]	7600873
		RCF4824STAM	45500 [13.3]	32000 [9.4]	13500 [4.0]	14.5	12	1250 [589.9]	7600879
RA1448AJ1	R802VA075421ZXA	RCF4821STAM	45500 [13.3]	32000 [9.4]	13500 [4.0]	14.5	12	1250 [589.9]	8053666
		RCF4824HTAM	47500 [13.9]	33300 [9.8]	14200 [4.2]	14.5	12	1450 [684.3]	8053680
		RCF4824STAM	45500 [13.3]	32000 [9.4]	13500 [4.0]	14.5	12	1250 [589.9]	8053696
RA1448AJ1	R802VA100521MSA	RCF4821MTAM	47000 [13.8]	32400 [9.5]	14600 [4.3]	15.1	12.5	1400 [660.7]	8083635
		RCF4821STAM	45500 [13.3]	32000 [9.4]	13500 [4.0]	15.1	12.5	1250 [589.9]	7600871
		RCF4824HTAM	48000 [14.1]	33500 [9.8]	14500 [4.2]	15.5	13	1400 [660.7]	7600874
		RCF4824STAM	45500 [13.3]	32000 [9.4]	13500 [4.0]	15.1	12.5	1250 [589.9]	7600880
RA1448AJ1	R802VA100521MXA	RCF4821STAM	45500 [13.3]	32000 [9.4]	13500 [4.0]	15.1	12.5	1250 [589.9]	8053667
		RCF4824HTAM	48000 [14.1]	33500 [9.8]	14500 [4.2]	15.5	13	1400 [660.7]	8053681
		RCF4824STAM	45500 [13.3]	32000 [9.4]	13500 [4.0]	15.1	12.5	1250 [589.9]	8053698
RA1448AJ1	R802VA100521ZSA	RCF4821STAM	46500 [13.6]	34200 [10.0]	12300 [3.6]	14.5	12	1450 [684.3]	7600872
		RCF4824HTAM	47000 [13.8]	31900 [9.3]	15100 [4.4]	15.1	12.5	1300 [613.5]	7600875
		RCF4824STAM	46500 [13.6]	34200 [10.0]	12300 [3.6]	14.5	12	1450 [684.3]	7600881
RA1448AJ1	R802VA100521ZXA	RCF4821STAM	46500 [13.6]	34200 [10.0]	12300 [3.6]	14.5	12	1450 [684.3]	8053669
		RCF4824HTAM	47000 [13.8]	31900 [9.3]	15100 [4.4]	15.1	12.5	1300 [613.5]	8053682
		RCF4824STAM	46500 [13.6]	34200 [10.0]	12300 [3.6]	14.5	12	1450 [684.3]	8053699
RA1448AJ1	R802VA125524MSA	RCF4824HTAM	48000 [14.1]	33500 [9.8]	14500 [4.2]	15.5	13	1400 [660.7]	7600876
		RCF4824STAM	46000 [13.5]	33100 [9.7]	12900 [3.8]	15.1	12.5	1350 [637.1]	7600882
RA1448AJ1	R802VA125524MXA	RCF4824HTAM	48000 [14.1]	33500 [9.8]	14500 [4.2]	15.5	13	1400 [660.7]	8053684
		RCF4824STAM	46000 [13.5]	33100 [9.7]	12900 [3.8]	15.1	12.5	1350 [637.1]	8053701
RA1448AJ1	R802VA125524ZSA	RCF4824HTAM	48000 [14.1]	33800 [9.9]	14200 [4.2]	15.1	12.5	1450 [684.3]	7600877
		RCF4824STAM	46500 [13.6]	34600 [10.1]	11900 [3.5]	14.5	12	1500 [707.9]	7600883
RA1448AJ1	R802VA125524ZXA	RCF4824HTAM	48000 [14.1]	33800 [9.9]	14200 [4.2]	15.1	12.5	1450 [684.3]	8053685
		RCF4824STAM	46500 [13.6]	34600 [10.1]	11900 [3.5]	14.5	12	1500 [707.9]	8053702
RA1460AC1	R802VA075421MSA	RCF6021STAM	55500 [16.3]	37200 [10.9]	18300 [5.4]	14	11.5	1550 [731.5]	8083657
		RCF6024HTAM	56500 [16.6]	38300 [11.2]	18200 [5.3]	14.5	12	1425 [672.5]	8053769
		RCF6024STAM	56500 [16.6]	38300 [11.2]	18200 [5.3]	14.5	12	1425 [672.5]	8053782
RA1460AC1	R802VA075421ZSA	RCF6024HTAM	57500 [16.9]	40500 [11.9]	17000 [5.0]	14	11.7	1600 [755.1]	7600906
		RCF6024STAM	57500 [16.9]	40500 [11.9]	17000 [5.0]	14	11.7	1600 [755.1]	7600912

[] Designates Metric Conversions

Performance Data @ AHRI Standard Conditions – Cooling (con't.)

R802V: Ultra 2-Stage 80% ECM Furnace Ratings									
Outdoor Unit	Furnace	Indoor Coil	Total Capacity BTU/H [kW]	Net Sensible BTU/H [kW]	Net Latent BTU/H [kW]	SEER	EER	Indoor CFM [L/s]	AHRI#
RA1460AC1	R802VA075421ZXA	RCF6024HTAM	57500 [16.9]	40500 [11.9]	17000 [5.0]	14	11.7	1600 [755.1]	8053770
		RCF6024STAM	57500 [16.9]	40500 [11.9]	17000 [5.0]	14	11.7	1600 [755.1]	8053783
RA1460AC1	R802VA100521MSA	RCF6021STAM	56000 [16.4]	39100 [11.5]	16900 [5.0]	14	11.5	1725 [814.1]	8083659
		RCF6024HTAM	58500 [17.1]	42500 [12.5]	16000 [4.7]	14.5	12	1725 [814.1]	7600907
		RCF6024STAM	58500 [17.1]	42500 [12.5]	16000 [4.7]	14.5	12	1725 [814.1]	7600913
RA1460AC1	R802VA100521MXA	RCF6024HTAM	58500 [17.1]	42500 [12.5]	16000 [4.7]	14.5	12	1725 [814.1]	8053771
		RCF6024STAM	58500 [17.1]	42500 [12.5]	16000 [4.7]	14.5	12	1725 [814.1]	8053784
RA1460AC1	R802VA100521ZSA	RCF6024HTAM	57500 [16.9]	39700 [11.6]	17800 [5.2]	14.5	12	1500 [707.9]	7600908
		RCF6024STAM	57500 [16.9]	39700 [11.6]	17800 [5.2]	14.5	12	1500 [707.9]	7600914
RA1460AC1	R802VA100521ZXA	RCF6024HTAM	57500 [16.9]	39700 [11.6]	17800 [5.2]	14.5	12	1500 [707.9]	8053772
		RCF6024STAM	57500 [16.9]	39700 [11.6]	17800 [5.2]	14.5	12	1500 [707.9]	8053785
RA1460AC1	R802VA125524MSA	RCF6024HTAM	59000 [17.3]	43400 [12.7]	15600 [4.6]	14.5	12	1775 [837.7]	7600909
		RCF6024STAM	59000 [17.3]	43400 [12.7]	15600 [4.6]	14.5	12	1775 [837.7]	7600915
RA1460AC1	R802VA125524MXA	RCF6024HTAM	59000 [17.3]	43400 [12.7]	15600 [4.6]	14.5	12	1775 [837.7]	8053773
		RCF6024STAM	59000 [17.3]	43400 [12.7]	15600 [4.6]	14.5	12	1775 [837.7]	8053786
RA1460AC1	R802VA125524ZSA	RCF6024HTAM	57500 [16.9]	39700 [11.6]	17800 [5.2]	14.5	12	1500 [707.9]	7600910
		RCF6024STAM	57500 [16.9]	39700 [11.6]	17800 [5.2]	14.5	12	1500 [707.9]	7600916
RA1460AC1	R802VA125524ZXA	RCF6024HTAM	57500 [16.9]	39700 [11.6]	17800 [5.2]	14.5	12	1500 [707.9]	8053774
		RCF6024STAM	57500 [16.9]	39700 [11.6]	17800 [5.2]	14.5	12	1500 [707.9]	8053787
RA1460AD1	R802VA075421MSA	RCF6021STAM	55500 [16.3]	37200 [10.9]	18300 [5.4]	14	11.5	1550 [731.5]	8083670
		RCF6024HTAM	56500 [16.6]	38300 [11.2]	18200 [5.3]	14.5	12	1425 [672.5]	8053823
		RCF6024STAM	56500 [16.6]	38300 [11.2]	18200 [5.3]	14.5	12	1425 [672.5]	8053836
RA1460AD1	R802VA075421ZSA	RCF6024HTAM	57500 [16.9]	40500 [11.9]	17000 [5.0]	14	11.7	1600 [755.1]	7600938
		RCF6024STAM	57500 [16.9]	40500 [11.9]	17000 [5.0]	14	11.7	1600 [755.1]	7600962
RA1460AD1	R802VA075421ZXA	RCF6024HTAM	57500 [16.9]	40500 [11.9]	17000 [5.0]	14	11.7	1600 [755.1]	8053824
		RCF6024STAM	57500 [16.9]	40500 [11.9]	17000 [5.0]	14	11.7	1600 [755.1]	8053837
RA1460AD1	R802VA100521MSA	RCF6021STAM	56000 [16.4]	39100 [11.5]	16900 [5.0]	14	11.5	1725 [814.1]	8083671
		RCF6024HTAM	58500 [17.1]	42500 [12.5]	16000 [4.7]	14.5	12	1725 [814.1]	7600939
		RCF6024STAM	58500 [17.1]	42500 [12.5]	16000 [4.7]	14.5	12	1725 [814.1]	7600963
RA1460AD1	R802VA100521MXA	RCF6024HTAM	58500 [17.1]	42500 [12.5]	16000 [4.7]	14.5	12	1725 [814.1]	8053825
		RCF6024STAM	58500 [17.1]	42500 [12.5]	16000 [4.7]	14.5	12	1725 [814.1]	8053838
RA1460AD1	R802VA100521ZSA	RCF6024HTAM	57500 [16.9]	39700 [11.6]	17800 [5.2]	14.5	12	1500 [707.9]	7600940
		RCF6024STAM	57500 [16.9]	39700 [11.6]	17800 [5.2]	14.5	12	1500 [707.9]	7600964
RA1460AD1	R802VA100521ZXA	RCF6024HTAM	57500 [16.9]	39700 [11.6]	17800 [5.2]	14.5	12	1500 [707.9]	8053826
		RCF6024STAM	57500 [16.9]	39700 [11.6]	17800 [5.2]	14.5	12	1500 [707.9]	8053839
RA1460AD1	R802VA125524MSA	RCF6024HTAM	59000 [17.3]	43400 [12.7]	15600 [4.6]	14.5	12	1775 [837.7]	7600941
		RCF6024STAM	59000 [17.3]	43400 [12.7]	15600 [4.6]	14.5	12	1775 [837.7]	7600965
RA1460AD1	R802VA125524MXA	RCF6024HTAM	59000 [17.3]	43400 [12.7]	15600 [4.6]	14.5	12	1775 [837.7]	8053827
		RCF6024STAM	59000 [17.3]	43400 [12.7]	15600 [4.6]	14.5	12	1775 [837.7]	8053840
RA1460AD1	R802VA125524ZSA	RCF6024HTAM	57500 [16.9]	39700 [11.6]	17800 [5.2]	14.5	12	1500 [707.9]	7600942
		RCF6024STAM	57500 [16.9]	39700 [11.6]	17800 [5.2]	14.5	12	1500 [707.9]	7600966
RA1460AD1	R802VA125524ZXA	RCF6024HTAM	57500 [16.9]	39700 [11.6]	17800 [5.2]	14.5	12	1500 [707.9]	8053829
		RCF6024STAM	57500 [16.9]	39700 [11.6]	17800 [5.2]	14.5	12	1500 [707.9]	8053841
RA1460AJ1	R802VA075421MSA	RCF6021STAM	55500 [16.3]	37200 [10.9]	18300 [5.4]	14	11.5	1550 [731.5]	8083685
		RCF6024HTAM	56500 [16.6]	38300 [11.2]	18200 [5.3]	14.5	12	1425 [672.5]	8053890
		RCF6024STAM	56500 [16.6]	38300 [11.2]	18200 [5.3]	14.5	12	1425 [672.5]	8053906
RA1460AJ1	R802VA075421ZSA	RCF6024HTAM	57500 [16.9]	40500 [11.9]	17000 [5.0]	14	11.7	1600 [755.1]	7601039
		RCF6024STAM	57500 [16.9]	40500 [11.9]	17000 [5.0]	14	11.7	1600 [755.1]	7601045

[] Designates Metric Conversions

Performance Data @ AHRI Standard Conditions – Cooling (con't.)

R802V: Ultra 2-Stage 80% ECM Furnace Ratings									
Outdoor Unit	Furnace	Indoor Coil	Total Capacity BTU/H [kW]	Net Sensible BTU/H [kW]	Net Latent BTU/H [kW]	SEER	EER	Indoor CFM [L/s]	AHRI#
RA1460AJ1	R802VA075421ZXA	RCF6024HTAM	57500 [16.9]	40500 [11.9]	17000 [5.0]	14	11.7	1600 [755.1]	8053891
		RCF6024STAM	57500 [16.9]	40500 [11.9]	17000 [5.0]	14	11.7	1600 [755.1]	8053907
RA1460AJ1	R802VA100521MSA	RCF6021STAM	56000 [16.4]	39100 [11.5]	16900 [5.0]	14	11.5	1725 [814.1]	8083686
		RCF6024HTAM	58500 [17.1]	42500 [12.5]	16000 [4.7]	14.5	12	1725 [814.1]	7601040
		RCF6024STAM	58500 [17.1]	42500 [12.5]	16000 [4.7]	14.5	12	1725 [814.1]	7601046
RA1460AJ1	R802VA100521MXA	RCF6024HTAM	58500 [17.1]	42500 [12.5]	16000 [4.7]	14.5	12	1725 [814.1]	8053892
		RCF6024STAM	58500 [17.1]	42500 [12.5]	16000 [4.7]	14.5	12	1725 [814.1]	8053909
RA1460AJ1	R802VA100521ZSA	RCF6024HTAM	57500 [16.9]	39700 [11.6]	17800 [5.2]	14.5	12	1500 [707.9]	7601041
		RCF6024STAM	57500 [16.9]	39700 [11.6]	17800 [5.2]	14.5	12	1500 [707.9]	7601047
RA1460AJ1	R802VA100521ZXA	RCF6024HTAM	57500 [16.9]	39700 [11.6]	17800 [5.2]	14.5	12	1500 [707.9]	8053893
		RCF6024STAM	57500 [16.9]	39700 [11.6]	17800 [5.2]	14.5	12	1500 [707.9]	8053910
RA1460AJ1	R802VA125524MSA	RCF6024HTAM	59000 [17.3]	43400 [12.7]	15600 [4.6]	14.5	12	1775 [837.7]	7601042
		RCF6024STAM	59000 [17.3]	43400 [12.7]	15600 [4.6]	14.5	12	1775 [837.7]	7601048
RA1460AJ1	R802VA125524MXA	RCF6024HTAM	59000 [17.3]	43400 [12.7]	15600 [4.6]	14.5	12	1775 [837.7]	8053894
		RCF6024STAM	59000 [17.3]	43400 [12.7]	15600 [4.6]	14.5	12	1775 [837.7]	8053912
RA1460AJ1	R802VA125524ZSA	RCF6024HTAM	57500 [16.9]	39700 [11.6]	17800 [5.2]	14.5	12	1500 [707.9]	7601043
		RCF6024STAM	57500 [16.9]	39700 [11.6]	17800 [5.2]	14.5	12	1500 [707.9]	7601049
RA1460AJ1	R802VA125524ZXA	RCF6024HTAM	57500 [16.9]	39700 [11.6]	17800 [5.2]	14.5	12	1500 [707.9]	8053895
		RCF6024STAM	57500 [16.9]	39700 [11.6]	17800 [5.2]	14.5	12	1500 [707.9]	8053913

[] Designates Metric Conversions

Performance Data @ AHRI Standard Conditions – Cooling (con't.)

R95T: 95% AFUE single-stage Constant Torque Multipoise Gas Furnace Ratings									
Outdoor Unit	Furnace	Indoor Coil	Total Capacity BTU/H [kW]	Net Sensible BTU/H [kW]	Net Latent BTU/H [kW]	SEER	EER	Indoor CFM [L/s]	AHRI#
RA1418AJ1	R95TA0401317MSA	RCF2417HTAM	18000 [5.3]	13600 [4.0]	4400 [1.3]	16	13	650 [306.8]	7606939
		RCF2417MTAM	18000 [5.3]	13600 [4.0]	4400 [1.3]	16	13	650 [306.8]	7606941
		RCF2417STAM	18000 [5.3]	13600 [4.0]	4400 [1.3]	15.5	13	650 [306.8]	7606943
		RCF2421MTAM	18000 [5.3]	13600 [4.0]	4400 [1.3]	16	13	650 [306.8]	7606947
RA1418AJ1	R95TA0601317MSA	RCF2417MTAM	18700 [5.5]	14800 [4.3]	3900 [1.1]	15.5	13	700 [330.4]	7490533
		RCF2417STAM	18700 [5.5]	14500 [4.2]	4200 [1.2]	15.5	13	700 [330.4]	7490547
		RCF2421MTAM	18700 [5.5]	14800 [4.3]	3900 [1.1]	15.5	13	700 [330.4]	7490581
RA1418AJ1	R95TA0401317MSA	RCF2421HTAM	18000 [5.3]	13600 [4.0]	4400 [1.3]	16	13	650 [306.8]	7606945
RA1418AJ1	R95TA0601317MSA	RCF2421HTAM	18700 [5.5]	14800 [4.3]	3900 [1.1]	15.5	13	700 [330.4]	7490561
RA1424AJ1	R95TA0401317MSA	RCF2417HTAM	24000 [7.0]	18100 [5.3]	5900 [1.7]	16	13	875 [413.0]	7607051
		RCF2417MTAM	24000 [7.0]	18100 [5.3]	5900 [1.7]	15.5	13	875 [413.0]	7607052
		RCF2417STAM	24000 [7.0]	18100 [5.3]	5900 [1.7]	15.1	12.5	850 [401.2]	7607053
		RCF2421MTAM	24000 [7.0]	18100 [5.3]	5900 [1.7]	15.5	13	875 [413.0]	7607055
RA1424AJ1	R95TA0601317MSA	RCF2417HTAM	24000 [7.0]	17300 [5.1]	6700 [2.0]	15.5	13	850 [401.2]	7490732
		RCF2417MTAM	24000 [7.0]	17300 [5.1]	6700 [2.0]	15.5	13	850 [401.2]	7490748
		RCF2417STAM	24000 [7.0]	17900 [5.2]	6100 [1.8]	15.1	12.5	700 [330.4]	7490764
		RCF2421MTAM	24000 [7.0]	17300 [5.1]	6700 [2.0]	15.5	13	850 [401.2]	7490806
RA1424AJ1	R95TA0701317MSA	RCF2417HTAM	24000 [7.0]	17300 [5.1]	6700 [2.0]	15.5	13	850 [401.2]	7490733
		RCF2417MTAM	24000 [7.0]	17300 [5.1]	6700 [2.0]	15.5	13	850 [401.2]	7490749
		RCF2417STAM	24000 [7.0]	18100 [5.3]	5900 [1.7]	14.5	12	825 [389.4]	7490765
		RCF2421MTAM	24000 [7.0]	17300 [5.1]	6700 [2.0]	15.5	13	850 [401.2]	7490807
RA1424AJ1	R95TA0401317MSA	RCF2421HTAM	24000 [7.0]	18100 [5.3]	5900 [1.7]	15.5	13	875 [413.0]	7607054
RA1424AJ1	R95TA0601317MSA	RCF2421HTAM	24000 [7.0]	17300 [5.1]	6700 [2.0]	15.5	13	850 [401.2]	7490780
RA1424AJ1	R95TA0701317MSA	RCF2421HTAM	24000 [7.0]	17300 [5.1]	6700 [2.0]	15.5	13	850 [401.2]	7490781
RA1430AJ1	R95TA0401317MSA	RCF3621HTAM	30000 [8.8]	22700 [6.7]	7300 [2.1]	16	13	1000 [471.9]	8083396
RA1430AJ1	R95TA0601317MSA	RCF3617STAM	28400 [8.3]	20900 [6.1]	7500 [2.2]	15	12.5	850 [401.2]	7490967
		RCF3621HTAM	30000 [8.8]	22700 [6.7]	7300 [2.1]	16	13	925 [436.6]	8083397
		RCF3621MTAM	30000 [8.8]	21500 [6.3]	8500 [2.5]	15.5	13	900 [424.8]	7490983
		RCF3621STAM	28600 [8.4]	21200 [6.2]	7400 [2.2]	15	12.5	900 [424.8]	7491011
RA1430AJ1	R95TA0701317MSA	RCF3617STAM	28600 [8.4]	21300 [6.2]	7300 [2.1]	14.5	12	925 [436.6]	7490968
		RCF3621HTAM	30000 [8.8]	22700 [6.7]	7300 [2.1]	16	13	975 [460.1]	8083398
		RCF3621MTAM	30000 [8.8]	21700 [6.4]	8300 [2.4]	15.5	13	950 [448.4]	7490984
		RCF3621STAM	28600 [8.4]	21300 [6.2]	7300 [2.1]	14.5	12	925 [436.6]	7491012
RA1436AC1	R95TA0401317MSA	RCF3621HTAM	36000 [10.6]	25900 [7.6]	10100 [3.0]	16	13	1125 [530.9]	8083422
RA1436AC1	R95TA0601317MSA	RCF3617STAM	34200 [10.0]	24400 [7.2]	9800 [2.9]	14	11.5	1000 [471.9]	7491238
		RCF3621HTAM	36000 [10.6]	25900 [7.6]	10100 [3.0]	15.5	13	1075 [507.3]	8083423
		RCF3621MTAM	36000 [10.6]	24800 [7.3]	11200 [3.3]	15.1	12.5	1050 [495.5]	7491254
		RCF3621STAM	34400 [10.1]	24700 [7.2]	9700 [2.8]	14.5	12	1025 [483.7]	7491282
RA1436AC1	R95TA0701317MSA	RCF3617STAM	34400 [10.1]	24700 [7.2]	9700 [2.8]	14	11.5	1025 [483.7]	7491239
		RCF3621HTAM	36000 [10.6]	25900 [7.6]	10100 [3.0]	15.5	13	975 [460.1]	8083424
		RCF3621MTAM	36000 [10.6]	24800 [7.3]	11200 [3.3]	15.1	12.5	1075 [507.3]	7491255
		RCF3621STAM	33800 [9.9]	23700 [6.9]	10100 [3.0]	14.5	12	925 [436.6]	7491283
RA1436AD1	R95TA0401317MSA	RCF3621HTAM	36000 [10.6]	25900 [7.6]	10100 [3.0]	16	13	1125 [530.9]	8083448
RA1436AD1	R95TA0601317MSA	RCF3617STAM	34200 [10.0]	24400 [7.2]	9800 [2.9]	14	11.5	1000 [471.9]	7599741
		RCF3621HTAM	36000 [10.6]	25900 [7.6]	10100 [3.0]	15.5	13	1075 [507.3]	8083449
		RCF3621MTAM	36000 [10.6]	24800 [7.3]	11200 [3.3]	15.1	12.5	1050 [495.5]	7599769
		RCF3621STAM	34400 [10.1]	24700 [7.2]	9700 [2.8]	14.5	12	1025 [483.7]	7599810

[] Designates Metric Conversions

Performance Data @ AHRI Standard Conditions – Cooling (con't.)

R95T: 95% AFUE single-stage Constant Torque Multipoise Gas Furnace Ratings									
Outdoor Unit	Furnace	Indoor Coil	Total Capacity BTU/H [kW]	Net Sensible BTU/H [kW]	Net Latent BTU/H [kW]	SEER	EER	Indoor CFM [L/s]	AHRI#
RA1436AD1	R95TA0701317MSA	RCF3617STAM	34400 [10.1]	24700 [7.2]	9700 [2.8]	14	11.5	1025 [483.7]	7599742
		RCF3621HTAM	36000 [10.6]	25900 [7.6]	10100 [3.0]	15.5	13	975 [460.1]	8083450
		RCF3621MTAM	36000 [10.6]	24800 [7.3]	11200 [3.3]	15.1	12.5	1075 [507.3]	7599770
		RCF3621STAM	33800 [9.9]	23700 [6.9]	10100 [3.0]	14.5	12	925 [436.6]	7599811
RA1436AJ1	R95TA0401317MSA	RCF3621HTAM	36000 [10.6]	25900 [7.6]	10100 [3.0]	16	13	1125 [530.9]	8083474
RA1436AJ1	R95TA0601317MSA	RCF3617STAM	34200 [10.0]	24400 [7.2]	9800 [2.9]	14	11.5	1000 [471.9]	7491529
		RCF3621HTAM	36000 [10.6]	25900 [7.6]	10100 [3.0]	15.5	13	1075 [507.3]	8083475
		RCF3621MTAM	36000 [10.6]	24800 [7.3]	11200 [3.3]	15.1	12.5	1050 [495.5]	7491545
		RCF3621STAM	34400 [10.1]	24700 [7.2]	9700 [2.8]	14.5	12	1025 [483.7]	7491573
RA1436AJ1	R95TA0701317MSA	RCF3617STAM	34400 [10.1]	24700 [7.2]	9700 [2.8]	14	11.5	1025 [483.7]	7491530
		RCF3621HTAM	36000 [10.6]	25900 [7.6]	10100 [3.0]	15.5	13	975 [460.1]	8083476
		RCF3621MTAM	36000 [10.6]	24800 [7.3]	11200 [3.3]	15.1	12.5	1075 [507.3]	7491546
		RCF3621STAM	33800 [9.9]	23700 [6.9]	10100 [3.0]	14.5	12	925 [436.6]	7491574
RA1442AC1	R95TA0401317MSA	RCF4821MTAM	42000 [12.3]	28400 [8.3]	13600 [4.0]	14.5	12	1175 [554.5]	8083500
RA1442AC1	R95TA0601317MSA	RCF4821MTAM	41500 [12.2]	28200 [8.3]	13300 [3.9]	14	11.5	1225 [578.1]	8083501
		RCF4821STAM	40500 [11.9]	29100 [8.5]	11400 [3.3]	14	11.5	1225 [578.1]	7491820
RA1442AC1	R95TA0701317MSA	RCF4821MTAM	41500 [12.2]	27700 [8.1]	13800 [4.0]	14.5	12	1125 [530.9]	8083502
		RCF4821STAM	40500 [11.9]	28500 [8.4]	12000 [3.5]	14	11.5	1125 [530.9]	7491821
RA1442AC1	R95TA0851521MSA	RCF4821MTAM	42000 [12.3]	31600 [9.3]	10400 [3.0]	14.5	12	1450 [684.3]	8083503
		RCF4821STAM	41500 [12.2]	30600 [9.0]	10900 [3.2]	14	11.5	1325 [625.3]	7491822
		RCF4824HTAM	42000 [12.3]	29300 [8.6]	12700 [3.7]	15	12.5	1350 [637.1]	7491846
		RCF4824STAM	41500 [12.2]	30600 [9.0]	10900 [3.2]	14	11.5	1325 [625.3]	7491870
RA1442AC1	R95TA1001521MSA	RCF4821MTAM	42000 [12.3]	31600 [9.3]	10400 [3.0]	14.5	12	1400 [660.7]	8083504
		RCF4821STAM	42000 [12.3]	31500 [9.2]	10500 [3.1]	14	11.5	1400 [660.7]	7491823
		RCF4824HTAM	42000 [12.3]	30200 [8.9]	11800 [3.5]	14.5	12	1500 [707.9]	7491847
		RCF4824STAM	42000 [12.3]	31500 [9.2]	10500 [3.1]	14	11.5	1400 [660.7]	7491871
RA1442AC1	R95TA1151524MSA	RCF4824HTAM	42000 [12.3]	29000 [8.5]	13000 [3.8]	15	12.5	1300 [613.5]	7491848
		RCF4824STAM	41000 [12.0]	29900 [8.8]	11100 [3.3]	14.5	12	1275 [601.7]	7491872
RA1442AD1	R95TA0401317MSA	RCF4821MTAM	42000 [12.3]	28400 [8.3]	13600 [4.0]	14.5	12	1175 [554.5]	8083528
RA1442AD1	R95TA0601317MSA	RCF4821MTAM	41500 [12.2]	28200 [8.3]	13300 [3.9]	14	11.5	1225 [578.1]	8083529
		RCF4821STAM	40500 [11.9]	29100 [8.5]	11400 [3.3]	14	11.5	1225 [578.1]	7600285
RA1442AD1	R95TA0701317MSA	RCF4821MTAM	41500 [12.2]	27700 [8.1]	13800 [4.0]	14.5	12	1125 [530.9]	8083530
		RCF4821STAM	40500 [11.9]	28500 [8.4]	12000 [3.5]	14	11.5	1125 [530.9]	7600286
RA1442AD1	R95TA0851521MSA	RCF4821MTAM	42000 [12.3]	31600 [9.3]	10400 [3.0]	14.5	12	1450 [684.3]	8083531
		RCF4821STAM	41500 [12.2]	30600 [9.0]	10900 [3.2]	14	11.5	1325 [625.3]	7600287
		RCF4824HTAM	42000 [12.3]	29300 [8.6]	12700 [3.7]	15	12.5	1350 [637.1]	7600322
		RCF4824STAM	41500 [12.2]	30600 [9.0]	10900 [3.2]	14	11.5	1325 [625.3]	7600358
RA1442AD1	R95TA1001521MSA	RCF4821MTAM	42000 [12.3]	31600 [9.3]	10400 [3.0]	14.5	12	1400 [660.7]	8083532
		RCF4821STAM	42000 [12.3]	31500 [9.2]	10500 [3.1]	14	11.5	1400 [660.7]	7600288
		RCF4824HTAM	42000 [12.3]	30200 [8.9]	11800 [3.5]	14.5	12	1500 [707.9]	7600323
		RCF4824STAM	42000 [12.3]	31500 [9.2]	10500 [3.1]	14	11.5	1400 [660.7]	7600359
RA1442AD1	R95TA1151524MSA	RCF4824HTAM	42000 [12.3]	29000 [8.5]	13000 [3.8]	15	12.5	1300 [613.5]	7600324
		RCF4824STAM	41000 [12.0]	29900 [8.8]	11100 [3.3]	14.5	12	1275 [601.7]	7600360
RA1442AJ1	R95TA0401317MSA	RCF4821MTAM	42000 [12.3]	28400 [8.3]	13600 [4.0]	14.5	12	1175 [554.5]	8083557
RA1442AJ1	R95TA0601317MSA	RCF4821MTAM	41500 [12.2]	28200 [8.3]	13300 [3.9]	14	11.5	1225 [578.1]	8083558
		RCF4821STAM	40500 [11.9]	29100 [8.5]	11400 [3.3]	14	11.5	1225 [578.1]	7491995
RA1442AJ1	R95TA0701317MSA	RCF4821MTAM	41500 [12.2]	27700 [8.1]	13800 [4.0]	14.5	12	1125 [530.9]	8083559
		RCF4821STAM	40500 [11.9]	28500 [8.4]	12000 [3.5]	14	11.5	1125 [530.9]	7491996

[] Designates Metric Conversions

Performance Data @ AHRI Standard Conditions – Cooling (con't.)

R95T: 95% AFUE single-stage Constant Torque Multipoise Gas Furnace Ratings									
Outdoor Unit	Furnace	Indoor Coil	Total Capacity BTU/H [kW]	Net Sensible BTU/H [kW]	Net Latent BTU/H [kW]	SEER	EER	Indoor CFM [L/s]	AHRI#
RA1442AJ1	R95TA0851521MSA	RCF4821MTAM	42000 [12.3]	31600 [9.3]	10400 [3.0]	14.5	12	1450 [684.3]	8083560
		RCF4821STAM	41500 [12.2]	30600 [9.0]	10900 [3.2]	14	11.5	1325 [625.3]	7491997
		RCF4824HTAM	42000 [12.3]	29300 [8.6]	12700 [3.7]	15	12.5	1350 [637.1]	7492021
		RCF4824STAM	41500 [12.2]	30600 [9.0]	10900 [3.2]	14	11.5	1325 [625.3]	7492045
RA1442AJ1	R95TA1001521MSA	RCF4821MTAM	42000 [12.3]	31600 [9.3]	10400 [3.0]	14.5	12	1400 [660.7]	8083561
		RCF4821STAM	42000 [12.3]	31500 [9.2]	10500 [3.1]	14	11.5	1400 [660.7]	7491998
		RCF4824HTAM	42000 [12.3]	30200 [8.9]	11800 [3.5]	14.5	12	1500 [707.9]	7492022
		RCF4824STAM	42000 [12.3]	31500 [9.2]	10500 [3.1]	14	11.5	1400 [660.7]	7492046
RA1442AJ1	R95TA1151524MSA	RCF4824HTAM	42000 [12.3]	29000 [8.5]	13000 [3.8]	15	12.5	1300 [613.5]	7492023
		RCF4824STAM	41000 [12.0]	29900 [8.8]	11100 [3.3]	14.5	12	1275 [601.7]	7492047
RA1448AC1	R95TA0601317MSA	RCF4821MTAM	45500 [13.3]	29900 [8.8]	15600 [4.6]	14	11.7	1225 [578.1]	8083587
		RCF4821STAM	45000 [13.2]	31400 [9.2]	13600 [4.0]	14	11.7	1225 [578.1]	7492171
RA1448AC1	R95TA0851521MSA	RCF4821MTAM	46500 [13.6]	31500 [9.2]	15000 [4.4]	14.5	12	1325 [625.3]	8083588
		RCF4821STAM	45500 [13.3]	32900 [9.6]	12600 [3.7]	14	11.7	1400 [660.7]	7492172
		RCF4824HTAM	47500 [13.9]	33300 [9.8]	14200 [4.2]	14.5	12	1450 [684.3]	7492194
		RCF4824STAM	45500 [13.3]	32900 [9.6]	12600 [3.7]	14	11.7	1400 [660.7]	7492216
RA1448AC1	R95TA1001521MSA	RCF4821MTAM	47000 [13.8]	33200 [9.7]	13800 [4.0]	14	11.7	1525 [719.7]	8083589
		RCF4821STAM	46000 [13.5]	33700 [9.9]	12300 [3.6]	14	11.7	1450 [684.3]	7492173
		RCF4824HTAM	47500 [13.9]	33100 [9.7]	14400 [4.2]	14.5	12	1425 [672.5]	7492195
		RCF4824STAM	46000 [13.5]	33700 [9.9]	12300 [3.6]	14	11.7	1450 [684.3]	7492217
RA1448AC1	R95TA1151524MSA	RCF4824HTAM	47500 [13.9]	33100 [9.7]	14400 [4.2]	14.5	12	1425 [672.5]	7492196
		RCF4824STAM	46000 [13.5]	33400 [9.8]	12600 [3.7]	14	11.7	1400 [660.7]	7492218
RA1448AD1	R95TA0601317MSA	RCF4821MTAM	45500 [13.3]	29900 [8.8]	15600 [4.6]	14	11.7	1225 [578.1]	8083611
		RCF4821STAM	45000 [13.2]	31400 [9.2]	13600 [4.0]	14	11.7	1225 [578.1]	7600605
RA1448AD1	R95TA0851521MSA	RCF4821MTAM	46500 [13.6]	31500 [9.2]	15000 [4.4]	14.5	12	1325 [625.3]	8083612
		RCF4821STAM	45500 [13.3]	32900 [9.6]	12600 [3.7]	14	11.7	1400 [660.7]	7600606
		RCF4824HTAM	47500 [13.9]	33300 [9.8]	14200 [4.2]	14.5	12	1450 [684.3]	7600638
		RCF4824STAM	45500 [13.3]	32900 [9.6]	12600 [3.7]	14	11.7	1400 [660.7]	7600671
RA1448AD1	R95TA1001521MSA	RCF4821MTAM	47000 [13.8]	33200 [9.7]	13800 [4.0]	14	11.7	1525 [719.7]	8083614
		RCF4821STAM	46000 [13.5]	33700 [9.9]	12300 [3.6]	14	11.7	1450 [684.3]	7600607
		RCF4824HTAM	47500 [13.9]	33100 [9.7]	14400 [4.2]	14.5	12	1425 [672.5]	7600639
		RCF4824STAM	46000 [13.5]	33700 [9.9]	12300 [3.6]	14	11.7	1450 [684.3]	7600672
RA1448AD1	R95TA1151524MSA	RCF4824HTAM	47500 [13.9]	33100 [9.7]	14400 [4.2]	14.5	12	1425 [672.5]	7600640
		RCF4824STAM	46000 [13.5]	33400 [9.8]	12600 [3.7]	14	11.7	1400 [660.7]	7600673
RA1448AJ1	R95TA0601317MSA	RCF4821MTAM	45500 [13.3]	29900 [8.8]	15600 [4.6]	14	11.7	1225 [578.1]	8083636
		RCF4821STAM	45000 [13.2]	31400 [9.2]	13600 [4.0]	14	11.7	1225 [578.1]	7492370
RA1448AJ1	R95TA0851521MSA	RCF4821MTAM	46500 [13.6]	31500 [9.2]	15000 [4.4]	14.5	12	1325 [625.3]	8083637
		RCF4821STAM	45500 [13.3]	32900 [9.6]	12600 [3.7]	14	11.7	1400 [660.7]	7492371
		RCF4824HTAM	47500 [13.9]	33300 [9.8]	14200 [4.2]	14.5	12	1450 [684.3]	7492393
		RCF4824STAM	45500 [13.3]	32900 [9.6]	12600 [3.7]	14	11.7	1400 [660.7]	7492415
RA1448AJ1	R95TA1001521MSA	RCF4821MTAM	47000 [13.8]	33200 [9.7]	13800 [4.0]	14	11.7	1525 [719.7]	8083639
		RCF4821STAM	46000 [13.5]	33700 [9.9]	12300 [3.6]	14	11.7	1450 [684.3]	7492372
		RCF4824HTAM	47500 [13.9]	33100 [9.7]	14400 [4.2]	14.5	12	1425 [672.5]	7492394
		RCF4824STAM	46000 [13.5]	33700 [9.9]	12300 [3.6]	14	11.7	1450 [684.3]	7492416
RA1448AJ1	R95TA1151524MSA	RCF4824HTAM	47500 [13.9]	33100 [9.7]	14400 [4.2]	14.5	12	1425 [672.5]	7492395
		RCF4824STAM	46000 [13.5]	33400 [9.8]	12600 [3.7]	14	11.7	1400 [660.7]	7492417
RA1460AC1	R95TA0851521MSA	RCF6024HTAM	56500 [16.6]	38400 [11.3]	18100 [5.3]	14	11.7	1450 [684.3]	7492569
		RCF6024STAM	56500 [16.6]	38400 [11.3]	18100 [5.3]	14	11.7	1450 [684.3]	7492581

[] Designates Metric Conversions

Performance Data @ AHRI Standard Conditions – Cooling (con't.)

R95T: 95% AFUE single-stage Constant Torque Multipoise Gas Furnace Ratings									
Outdoor Unit	Furnace	Indoor Coil	Total Capacity BTU/H [kW]	Net Sensible BTU/H [kW]	Net Latent BTU/H [kW]	SEER	EER	Indoor CFM [L/s]	AHRI#
RA1460AC1	R95TA1001521MSA	RCF6024HTAM	57000 [16.7]	39700 [11.6]	17300 [5.1]	14	11.7	1550 [731.5]	7492570
		RCF6024STAM	57000 [16.7]	39700 [11.6]	17300 [5.1]	14	11.7	1550 [731.5]	7492582
RA1460AD1	R95TA0851521MSA	RCF6024HTAM	56500 [16.6]	38400 [11.3]	18100 [5.3]	14	11.7	1450 [684.3]	7600943
		RCF6024STAM	56500 [16.6]	38400 [11.3]	18100 [5.3]	14	11.7	1450 [684.3]	7600967
RA1460AD1	R95TA1001521MSA	RCF6024HTAM	57000 [16.7]	39700 [11.6]	17300 [5.1]	14	11.7	1550 [731.5]	7600944
		RCF6024STAM	57000 [16.7]	39700 [11.6]	17300 [5.1]	14	11.7	1550 [731.5]	7600968
RA1460AJ1	R95TA0851521MSA	RCF6024HTAM	56500 [16.6]	38400 [11.3]	18100 [5.3]	14	11.7	1450 [684.3]	7492625
		RCF6024STAM	56500 [16.6]	38400 [11.3]	18100 [5.3]	14	11.7	1450 [684.3]	7492637
RA1460AJ1	R95TA1001521MSA	RCF6024HTAM	57000 [16.7]	39700 [11.6]	17300 [5.1]	14	11.7	1550 [731.5]	7492626
		RCF6024STAM	57000 [16.7]	39700 [11.6]	17300 [5.1]	14	11.7	1550 [731.5]	7492638

[] Designates Metric Conversions

Performance Data @ AHRI Standard Conditions – Cooling (con't.)

R96V: 96% AFUE 2-stage Variable Speed Multipoise Gas Furnace Ratings									
Outdoor Unit	Furnace	Indoor Coil	Total Capacity BTU/H [kW]	Net Sensible BTU/H [kW]	Net Latent BTU/H [kW]	SEER	EER	Indoor CFM [L/s]	AHRI#
RA1418AJ1	R96VA0402317MSA	RCF2417HTAM	18000 [5.3]	13600 [4.0]	4400 [1.3]	16	13	675 [318.6]	7599511
		RCF2417MTAM	18000 [5.3]	13600 [4.0]	4400 [1.3]	16	13	675 [318.6]	7599515
		RCF2417STAM	18000 [5.3]	13600 [4.0]	4400 [1.3]	15.5	13	675 [318.6]	7599519
		RCF2421MTAM	18000 [5.3]	13600 [4.0]	4400 [1.3]	16	13	675 [318.6]	7599529
RA1418AJ1	R96VA0602317MSA	RCF2417HTAM	18700 [5.5]	14800 [4.3]	3900 [1.1]	15.5	13	700 [330.4]	7490520
		RCF2417MTAM	18700 [5.5]	14800 [4.3]	3900 [1.1]	15.5	13	700 [330.4]	7490534
		RCF2417STAM	17800 [5.2]	13300 [3.9]	4500 [1.3]	15.5	13	525 [247.8]	7490548
		RCF2421MTAM	18700 [5.5]	14800 [4.3]	3900 [1.1]	15.5	13	700 [330.4]	7490582
RA1418AJ1	R96VA0702317MSA	RCF2417HTAM	18800 [5.5]	14900 [4.4]	3900 [1.1]	16	13	700 [330.4]	7490521
		RCF2417MTAM	18700 [5.5]	14800 [4.3]	3900 [1.1]	16	13	700 [330.4]	7490535
		RCF2417STAM	18700 [5.5]	14500 [4.2]	4200 [1.2]	15.5	13	700 [330.4]	7490549
		RCF2421MTAM	18700 [5.5]	14800 [4.3]	3900 [1.1]	16	13	700 [330.4]	7490583
RA1418AJ1	R96VA1002521MSA	RCF2421MTAM	18800 [5.5]	14900 [4.4]	3900 [1.1]	16	13	700 [330.4]	7490584
RA1418AJ1	R96VA0402317MSA	RCF2421HTAM	18000 [5.3]	13600 [4.0]	4400 [1.3]	16	13	675 [318.6]	7599524
RA1418AJ1	R96VA0602317MSA	RCF2421HTAM	18700 [5.5]	14800 [4.3]	3900 [1.1]	15.5	13	700 [330.4]	7490562
RA1418AJ1	R96VA0702317MSA	RCF2421HTAM	18700 [5.5]	14800 [4.3]	3900 [1.1]	16	13	700 [330.4]	7490563
RA1418AJ1	R96VA1002521MSA	RCF2421HTAM	18800 [5.5]	14900 [4.4]	3900 [1.1]	16	13	700 [330.4]	7490564
RA1424AJ1	R96VA0402317MSA	RCF2417HTAM	24000 [7.0]	18100 [5.3]	5900 [1.7]	15.5	13	875 [413.0]	7599559
		RCF2417MTAM	24000 [7.0]	18100 [5.3]	5900 [1.7]	15.5	13	850 [401.2]	7599563
		RCF2417STAM	24000 [7.0]	18100 [5.3]	5900 [1.7]	15.1	12.5	875 [413.0]	7599567
		RCF2421MTAM	24000 [7.0]	18100 [5.3]	5900 [1.7]	15.5	13	875 [413.0]	7599581
RA1424AJ1	R96VA0602317MSA	RCF2417HTAM	24000 [7.0]	17200 [5.0]	6800 [2.0]	15.5	13	800 [377.6]	7490734
		RCF2417MTAM	24000 [7.0]	17200 [5.0]	6800 [2.0]	15.5	13	800 [377.6]	7490750
		RCF2417STAM	24000 [7.0]	17900 [5.2]	6100 [1.8]	15.1	12.5	700 [330.4]	7490766
		RCF2421MTAM	24000 [7.0]	17200 [5.0]	6800 [2.0]	15.5	13	800 [377.6]	7490808
RA1424AJ1	R96VA0702317MSA	RCF2417HTAM	24000 [7.0]	17400 [5.1]	6600 [1.9]	15.5	13	875 [413.0]	7490735
		RCF2417MTAM	24000 [7.0]	17400 [5.1]	6600 [1.9]	15.5	13	875 [413.0]	7490751
		RCF2417STAM	24000 [7.0]	18300 [5.4]	5700 [1.7]	15.1	12.5	875 [413.0]	7490767
		RCF2421MTAM	24000 [7.0]	17400 [5.1]	6600 [1.9]	15.5	13	875 [413.0]	7490809
RA1424AJ1	R96VA0852521MSB	RCF2421MTAM	24000 [7.0]	17500 [5.1]	6500 [1.9]	15.5	13	900 [424.8]	7490810
RA1424AJ1	R96VA1002521MSA	RCF2421MTAM	24000 [7.0]	17200 [5.0]	6800 [2.0]	16	13	800 [377.6]	7490811
RA1424AJ1	R96VA0402317MSA	RCF2421HTAM	24000 [7.0]	18100 [5.3]	5900 [1.7]	15.5	13	875 [413.0]	7599574
RA1424AJ1	R96VA0602317MSA	RCF2421HTAM	24000 [7.0]	17200 [5.0]	6800 [2.0]	15.5	13	800 [377.6]	7490782
RA1424AJ1	R96VA0702317MSA	RCF2421HTAM	24000 [7.0]	17400 [5.1]	6600 [1.9]	15.5	13	875 [413.0]	7490783
RA1424AJ1	R96VA0852521MSB	RCF2421HTAM	24000 [7.0]	17500 [5.1]	6500 [1.9]	15.5	13	900 [424.8]	7490784
RA1424AJ1	R96VA1002521MSA	RCF2421HTAM	24000 [7.0]	17200 [5.0]	6800 [2.0]	16	13	800 [377.6]	7490785
RA1430AJ1	R96VA0402317MSA	RCF3617STAM	28600 [8.4]	21200 [6.2]	7400 [2.2]	15.1	12.5	875 [413.0]	7599615
		RCF3621HTAM	30000 [8.8]	22700 [6.7]	7300 [2.1]	16	13	1025 [483.7]	8083399
		RCF3621MTAM	30000 [8.8]	22700 [6.7]	7300 [2.1]	16	13	950 [448.4]	7599622
		RCF3621STAM	28800 [8.4]	21500 [6.3]	7300 [2.1]	15.1	12.5	925 [436.6]	7599629
RA1430AJ1	R96VA0602317MSA	RCF3617STAM	28200 [8.3]	20500 [6.0]	7700 [2.3]	15.1	12.5	800 [377.6]	7490969
		RCF3621HTAM	30000 [8.8]	22700 [6.7]	7300 [2.1]	16	13	975 [460.1]	8083400
		RCF3621MTAM	29800 [8.7]	21000 [6.2]	8800 [2.6]	15.5	13	800 [377.6]	7490985
		RCF3621STAM	28200 [8.3]	20500 [6.0]	7700 [2.3]	15.1	12.5	800 [377.6]	7491013
RA1430AJ1	R96VA0702317MSA	RCF3617STAM	28600 [8.4]	21200 [6.2]	7400 [2.2]	15.1	12.5	875 [413.0]	7490970
		RCF3621HTAM	30000 [8.8]	22700 [6.7]	7300 [2.1]	16	13	1050 [495.5]	8083401
		RCF3621MTAM	30000 [8.8]	21400 [6.3]	8600 [2.5]	16	13	875 [413.0]	7490986
		RCF3621STAM	28600 [8.4]	21200 [6.2]	7400 [2.2]	15.1	12.5	875 [413.0]	7491014

[] Designates Metric Conversions

Performance Data @ AHRI Standard Conditions – Cooling (con't.)

R96V: 96% AFUE 2-stage Variable Speed Multipoise Gas Furnace Ratings									
Outdoor Unit	Furnace	Indoor Coil	Total Capacity BTU/H [kW]	Net Sensible BTU/H [kW]	Net Latent BTU/H [kW]	SEER	EER	Indoor CFM [L/s]	AHRI#
RA1430AJ1	R96VA0852521MSB	RCF3621HTAM	30000 [8.8]	22700 [6.7]	7300 [2.1]	16	13	1075 [507.3]	8083402
		RCF3621MTAM	30000 [8.8]	21900 [6.4]	8100 [2.4]	16	13	1025 [483.7]	7490987
		RCF3621STAM	28800 [8.4]	21400 [6.3]	7400 [2.2]	15.1	12.5	900 [424.8]	7491015
		RCF3624HTAM	30000 [8.8]	21400 [6.3]	8600 [2.5]	16	13	1025 [483.7]	7491040
		RCF3624MTAM	30000 [8.8]	21900 [6.4]	8100 [2.4]	16	13	1025 [483.7]	7491061
RA1430AJ1	R96VA1002521MSA	RCF3621HTAM	30000 [8.8]	22700 [6.7]	7300 [2.1]	16	13	1050 [495.5]	8083403
		RCF3621MTAM	30000 [8.8]	22100 [6.5]	7900 [2.3]	16	13	1050 [495.5]	7490988
		RCF3621STAM	28400 [8.3]	20700 [6.1]	7700 [2.3]	15.5	13	800 [377.6]	7491016
		RCF3624HTAM	30000 [8.8]	21600 [6.3]	8400 [2.5]	16	13	1050 [495.5]	7491041
		RCF3624MTAM	30000 [8.8]	22100 [6.5]	7900 [2.3]	16	13	1050 [495.5]	7491062
RA1430AJ1	R96VA1152524MSA	RCF3624HTAM	30000 [8.8]	22700 [6.7]	7300 [2.1]	16	13	1050 [495.5]	7599635
		RCF3624MTAM	30000 [8.8]	22700 [6.7]	7300 [2.1]	16	13	1050 [495.5]	7599641
RA1436AC1	R96VA0402317MSA	RCF3617STAM	34600 [10.1]	24900 [7.3]	9700 [2.8]	14.5	12	1025 [483.7]	7599675
		RCF3621HTAM	36000 [10.6]	25900 [7.6]	10100 [3.0]	16	13	1025 [483.7]	8083425
		RCF3621MTAM	36000 [10.6]	25900 [7.6]	10100 [3.0]	15.5	13	1025 [483.7]	7599682
		RCF3621STAM	34800 [10.2]	25500 [7.5]	9300 [2.7]	14.5	12	1125 [530.9]	7599689
RA1436AC1	R96VA0602317MSA	RCF3617STAM	34400 [10.1]	24800 [7.3]	9600 [2.8]	14	11.5	1050 [495.5]	7491240
		RCF3621HTAM	36000 [10.6]	25900 [7.6]	10100 [3.0]	15.5	13	1050 [495.5]	8083426
		RCF3621MTAM	36000 [10.6]	24800 [7.3]	11200 [3.3]	15.1	12.5	1050 [495.5]	7491256
		RCF3621STAM	34400 [10.1]	24800 [7.3]	9600 [2.8]	14.5	12	1050 [495.5]	7491284
RA1436AC1	R96VA0702317MSA	RCF3617STAM	34400 [10.1]	24800 [7.3]	9600 [2.8]	14.5	12	1050 [495.5]	7491241
		RCF3621HTAM	36000 [10.6]	25900 [7.6]	10100 [3.0]	15.5	13	1150 [542.7]	8083427
		RCF3621MTAM	36000 [10.6]	24800 [7.3]	11200 [3.3]	15.5	13	1050 [495.5]	7491257
		RCF3621STAM	34600 [10.1]	25000 [7.3]	9600 [2.8]	14.5	12	1050 [495.5]	7491285
RA1436AC1	R96VA0852521MSB	RCF3621HTAM	36000 [10.6]	25900 [7.6]	10100 [3.0]	16	13	1200 [566.3]	8083428
		RCF3621MTAM	36000 [10.6]	25500 [7.5]	10500 [3.1]	15.5	13	1200 [566.3]	7491258
		RCF3621STAM	34600 [10.1]	24900 [7.3]	9700 [2.8]	15	12.5	1025 [483.7]	7491286
		RCF3624HTAM	36000 [10.6]	25700 [7.5]	10300 [3.0]	16	13	1275 [601.7]	7491311
		RCF3624MTAM	36000 [10.6]	25500 [7.5]	10500 [3.1]	15.5	13	1200 [566.3]	7491332
RA1436AC1	R96VA1002521MSA	RCF3621HTAM	36000 [10.6]	25900 [7.6]	10100 [3.0]	16	13	1225 [578.1]	8083429
		RCF3621MTAM	36000 [10.6]	25600 [7.5]	10400 [3.0]	15.5	13	1225 [578.1]	7491259
		RCF3621STAM	34000 [10.0]	23900 [7.0]	10100 [3.0]	15.1	12.5	925 [436.6]	7491287
		RCF3624HTAM	36000 [10.6]	26000 [7.6]	10000 [2.9]	16	13	1325 [625.3]	7491312
		RCF3624MTAM	36000 [10.6]	25600 [7.5]	10400 [3.0]	15.5	13	1225 [578.1]	7491333
RA1436AC1	R96VA1152524MSA	RCF3624HTAM	36000 [10.6]	25900 [7.6]	10100 [3.0]	16	13	1250 [589.9]	7599695
		RCF3624MTAM	36000 [10.6]	25900 [7.6]	10100 [3.0]	16	13	1225 [578.1]	7599701
RA1436AD1	R96VA0402317MSA	RCF3617STAM	34600 [10.1]	24900 [7.3]	9700 [2.8]	14.5	12	1025 [483.7]	7599743
		RCF3621HTAM	36000 [10.6]	25900 [7.6]	10100 [3.0]	16	13	1025 [483.7]	8083451
		RCF3621MTAM	36000 [10.6]	25900 [7.6]	10100 [3.0]	15.5	13	1025 [483.7]	7599771
		RCF3621STAM	34800 [10.2]	25500 [7.5]	9300 [2.7]	14.5	12	1125 [530.9]	7599812
RA1436AD1	R96VA0602317MSA	RCF3617STAM	34400 [10.1]	24800 [7.3]	9600 [2.8]	14	11.5	1050 [495.5]	7599744
		RCF3621HTAM	36000 [10.6]	25900 [7.6]	10100 [3.0]	15.5	13	1050 [495.5]	8083452
		RCF3621MTAM	36000 [10.6]	24800 [7.3]	11200 [3.3]	15.1	12.5	1050 [495.5]	7599772
		RCF3621STAM	34400 [10.1]	24800 [7.3]	9600 [2.8]	14.5	12	1050 [495.5]	7599813
RA1436AD1	R96VA0702317MSA	RCF3617STAM	34400 [10.1]	24800 [7.3]	9600 [2.8]	14.5	12	1050 [495.5]	7599745
		RCF3621HTAM	36000 [10.6]	25900 [7.6]	10100 [3.0]	15.5	13	1150 [542.7]	8083453
		RCF3621MTAM	36000 [10.6]	24800 [7.3]	11200 [3.3]	15.5	13	1050 [495.5]	7599773
		RCF3621STAM	34600 [10.1]	25000 [7.3]	9600 [2.8]	14.5	12	1050 [495.5]	7599814

[] Designates Metric Conversions

Performance Data @ AHRI Standard Conditions – Cooling (con't.)

R96V: 96% AFUE 2-stage Variable Speed Multipoise Gas Furnace Ratings									
Outdoor Unit	Furnace	Indoor Coil	Total Capacity BTU/H [kW]	Net Sensible BTU/H [kW]	Net Latent BTU/H [kW]	SEER	EER	Indoor CFM [L/s]	AHRI#
RA1436AD1	R96VA0852521MSB	RCF3621HTAM	36000 [10.6]	25900 [7.6]	10100 [3.0]	16	13	1200 [566.3]	8083454
		RCF3621MTAM	36000 [10.6]	25500 [7.5]	10500 [3.1]	15.5	13	1200 [566.3]	7599774
		RCF3621STAM	34600 [10.1]	24900 [7.3]	9700 [2.8]	15	12.5	1025 [483.7]	7599815
		RCF3624HTAM	36000 [10.6]	25700 [7.5]	10300 [3.0]	16	13	1275 [601.7]	7599850
		RCF3624MTAM	36000 [10.6]	25500 [7.5]	10500 [3.1]	15.5	13	1200 [566.3]	7599883
RA1436AD1	R96VA1002521MSA	RCF3621HTAM	36000 [10.6]	25900 [7.6]	10100 [3.0]	16	13	1225 [578.1]	8083455
		RCF3621MTAM	36000 [10.6]	25600 [7.5]	10400 [3.0]	15.5	13	1225 [578.1]	7599775
		RCF3621STAM	34000 [10.0]	23900 [7.0]	10100 [3.0]	15.1	12.5	925 [436.6]	7599816
		RCF3624HTAM	36000 [10.6]	26000 [7.6]	10000 [2.9]	16	13	1325 [625.3]	7599851
		RCF3624MTAM	36000 [10.6]	25600 [7.5]	10400 [3.0]	15.5	13	1225 [578.1]	7599884
RA1436AD1	R96VA1152524MSA	RCF3624HTAM	36000 [10.6]	25900 [7.6]	10100 [3.0]	16	13	1250 [589.9]	7599852
		RCF3624MTAM	36000 [10.6]	25900 [7.6]	10100 [3.0]	16	13	1225 [578.1]	7599885
RA1436AJ1	R96VA0402317MSA	RCF3617STAM	34600 [10.1]	24900 [7.3]	9700 [2.8]	14.5	12	1025 [483.7]	7600176
		RCF3621HTAM	36000 [10.6]	25900 [7.6]	10100 [3.0]	16	13	1025 [483.7]	8083477
		RCF3621MTAM	36000 [10.6]	25900 [7.6]	10100 [3.0]	15.5	13	1025 [483.7]	7600183
		RCF3621STAM	34800 [10.2]	25500 [7.5]	9300 [2.7]	14.5	12	1125 [530.9]	7600190
RA1436AJ1	R96VA0602317MSA	RCF3617STAM	34400 [10.1]	24800 [7.3]	9600 [2.8]	14	11.5	1050 [495.5]	7491531
		RCF3621HTAM	36000 [10.6]	25900 [7.6]	10100 [3.0]	15.5	13	1050 [495.5]	8083478
		RCF3621MTAM	36000 [10.6]	24800 [7.3]	11200 [3.3]	15.1	12.5	1050 [495.5]	7491547
		RCF3621STAM	34400 [10.1]	24800 [7.3]	9600 [2.8]	14.5	12	1050 [495.5]	7491575
RA1436AJ1	R96VA0702317MSA	RCF3617STAM	34400 [10.1]	24800 [7.3]	9600 [2.8]	14.5	12	1050 [495.5]	7491532
		RCF3621HTAM	36000 [10.6]	25900 [7.6]	10100 [3.0]	15.5	13	1150 [542.7]	8083479
		RCF3621MTAM	36000 [10.6]	24800 [7.3]	11200 [3.3]	15.5	13	1050 [495.5]	7491548
		RCF3621STAM	34600 [10.1]	25000 [7.3]	9600 [2.8]	14.5	12	1050 [495.5]	7491576
RA1436AJ1	R96VA0852521MSB	RCF3621HTAM	36000 [10.6]	25900 [7.6]	10100 [3.0]	16	13	1200 [566.3]	8083480
		RCF3621MTAM	36000 [10.6]	25500 [7.5]	10500 [3.1]	15.5	13	1200 [566.3]	7491549
		RCF3621STAM	34600 [10.1]	24900 [7.3]	9700 [2.8]	15	12.5	1025 [483.7]	7491577
		RCF3624HTAM	36000 [10.6]	25700 [7.5]	10300 [3.0]	16	13	1275 [601.7]	7491602
		RCF3624MTAM	36000 [10.6]	25500 [7.5]	10500 [3.1]	15.5	13	1200 [566.3]	7491623
RA1436AJ1	R96VA1002521MSA	RCF3621HTAM	36000 [10.6]	25900 [7.6]	10100 [3.0]	16	13	1225 [578.1]	8083481
		RCF3621MTAM	36000 [10.6]	25600 [7.5]	10400 [3.0]	15.5	13	1225 [578.1]	7491550
		RCF3621STAM	34000 [10.0]	23900 [7.0]	10100 [3.0]	15.1	12.5	925 [436.6]	7491578
		RCF3624HTAM	36000 [10.6]	26000 [7.6]	10000 [2.9]	16	13	1325 [625.3]	7491603
		RCF3624MTAM	36000 [10.6]	25600 [7.5]	10400 [3.0]	15.5	13	1225 [578.1]	7491624
RA1436AJ1	R96VA1152524MSA	RCF3624HTAM	36000 [10.6]	25900 [7.6]	10100 [3.0]	16	13	1250 [589.9]	7600196
		RCF3624MTAM	36000 [10.6]	25900 [7.6]	10100 [3.0]	16	13	1225 [578.1]	7600202
RA1442AC1	R96VA0402317MSA	RCF4821MTAM	41500 [12.2]	27700 [8.1]	13800 [4.0]	15	12.5	1125 [530.9]	8083505
		RCF4821STAM	40500 [11.9]	28500 [8.4]	12000 [3.5]	14.5	12	1125 [530.9]	7600240
RA1442AC1	R96VA0602317MSA	RCF4821MTAM	41500 [12.2]	27700 [8.1]	13800 [4.0]	14.5	12	1125 [530.9]	8083506
RA1442AC1	R96VA0702317MSA	RCF4821MTAM	41500 [12.2]	27800 [8.1]	13700 [4.0]	15	12.5	1150 [542.7]	8083507
RA1442AC1	R96VA0852521MSB	RCF4821MTAM	42000 [12.3]	31600 [9.3]	10400 [3.0]	15.1	12.5	1275 [601.7]	8083508
		RCF4821STAM	41500 [12.2]	30400 [8.9]	11100 [3.3]	14.5	12	1275 [601.7]	7491824
		RCF4824HTAM	42000 [12.3]	28800 [8.4]	13200 [3.9]	15.1	12.5	1275 [601.7]	7491849
		RCF4824STAM	41500 [12.2]	30400 [8.9]	11100 [3.3]	14.5	12	1275 [601.7]	7491873
RA1442AC1	R96VA1002521MSA	RCF4821MTAM	42000 [12.3]	28800 [8.4]	13200 [3.9]	15.1	12.5	1250 [589.9]	8083509
		RCF4821STAM	42000 [12.3]	31500 [9.2]	10500 [3.1]	14.5	12	1400 [660.7]	7491825
		RCF4824HTAM	42000 [12.3]	29500 [8.6]	12500 [3.7]	15.1	12.5	1400 [660.7]	7491850
		RCF4824STAM	42000 [12.3]	31500 [9.2]	10500 [3.1]	14.5	12	1400 [660.7]	7491874

[] Designates Metric Conversions

Performance Data @ AHRI Standard Conditions – Cooling (con't.)

R96V: 96% AFUE 2-stage Variable Speed Multipoise Gas Furnace Ratings									
Outdoor Unit	Furnace	Indoor Coil	Total Capacity BTU/H [kW]	Net Sensible BTU/H [kW]	Net Latent BTU/H [kW]	SEER	EER	Indoor CFM [L/s]	AHRI#
RA1442AC1	R96VA1152524MSA	RCF4824HTAM	42000 [12.3]	31600 [9.3]	10400 [3.0]	15.5	13	1400 [660.7]	7600246
		RCF4824STAM	41500 [12.2]	30200 [8.9]	11300 [3.3]	15.1	12.5	1250 [589.9]	7600252
RA1442AD1	R96VA0402317MSA	RCF4821MTAM	41500 [12.2]	27700 [8.1]	13800 [4.0]	15	12.5	1125 [530.9]	8083533
		RCF4821STAM	40500 [11.9]	28500 [8.4]	12000 [3.5]	14.5	12	1125 [530.9]	7600289
RA1442AD1	R96VA0602317MSA	RCF4821MTAM	41500 [12.2]	27700 [8.1]	13800 [4.0]	14.5	12	1125 [530.9]	8083534
RA1442AD1	R96VA0702317MSA	RCF4821MTAM	41500 [12.2]	27800 [8.1]	13700 [4.0]	15	12.5	1150 [542.7]	8083535
RA1442AD1	R96VA0852521MSB	RCF4821MTAM	42000 [12.3]	31600 [9.3]	10400 [3.0]	15.1	12.5	1275 [601.7]	8083536
		RCF4821STAM	41500 [12.2]	30400 [8.9]	11100 [3.3]	14.5	12	1275 [601.7]	7600290
		RCF4824HTAM	42000 [12.3]	28800 [8.4]	13200 [3.9]	15.1	12.5	1275 [601.7]	7600325
		RCF4824STAM	41500 [12.2]	30400 [8.9]	11100 [3.3]	14.5	12	1275 [601.7]	7600361
RA1442AD1	R96VA1002521MSA	RCF4821MTAM	42000 [12.3]	28800 [8.4]	13200 [3.9]	15.1	12.5	1250 [589.9]	8083537
		RCF4821STAM	42000 [12.3]	31500 [9.2]	10500 [3.1]	14.5	12	1400 [660.7]	7600291
		RCF4824HTAM	42000 [12.3]	29500 [8.6]	12500 [3.7]	15.1	12.5	1400 [660.7]	7600326
		RCF4824STAM	42000 [12.3]	31500 [9.2]	10500 [3.1]	14.5	12	1400 [660.7]	7600362
RA1442AD1	R96VA1152524MSA	RCF4824HTAM	42000 [12.3]	31600 [9.3]	10400 [3.0]	15.5	13	1400 [660.7]	7600327
		RCF4824STAM	41500 [12.2]	30200 [8.9]	11300 [3.3]	15.1	12.5	1250 [589.9]	7600363
RA1442AJ1	R96VA0402317MSA	RCF4821MTAM	41500 [12.2]	27700 [8.1]	13800 [4.0]	15	12.5	1125 [530.9]	8083562
		RCF4821STAM	40500 [11.9]	28500 [8.4]	12000 [3.5]	14.5	12	1125 [530.9]	7600525
RA1442AJ1	R96VA0602317MSA	RCF4821MTAM	41500 [12.2]	27700 [8.1]	13800 [4.0]	14.5	12	1125 [530.9]	8083563
RA1442AJ1	R96VA0702317MSA	RCF4821MTAM	41500 [12.2]	27800 [8.1]	13700 [4.0]	15	12.5	1150 [542.7]	8083564
RA1442AJ1	R96VA0852521MSB	RCF4821MTAM	42000 [12.3]	31600 [9.3]	10400 [3.0]	15.1	12.5	1275 [601.7]	8083566
		RCF4821STAM	41500 [12.2]	30400 [8.9]	11100 [3.3]	14.5	12	1275 [601.7]	7491999
		RCF4824HTAM	42000 [12.3]	28800 [8.4]	13200 [3.9]	15.1	12.5	1275 [601.7]	7492024
		RCF4824STAM	41500 [12.2]	30400 [8.9]	11100 [3.3]	14.5	12	1275 [601.7]	7492048
RA1442AJ1	R96VA1002521MSA	RCF4821MTAM	42000 [12.3]	28800 [8.4]	13200 [3.9]	15.1	12.5	1250 [589.9]	8083567
		RCF4821STAM	42000 [12.3]	31500 [9.2]	10500 [3.1]	14.5	12	1400 [660.7]	7492000
		RCF4824HTAM	42000 [12.3]	29500 [8.6]	12500 [3.7]	15.1	12.5	1400 [660.7]	7492025
		RCF4824STAM	42000 [12.3]	31500 [9.2]	10500 [3.1]	14.5	12	1400 [660.7]	7492049
RA1442AJ1	R96VA1152524MSA	RCF4824HTAM	42000 [12.3]	31600 [9.3]	10400 [3.0]	15.5	13	1400 [660.7]	7600531
		RCF4824STAM	41500 [12.2]	30200 [8.9]	11300 [3.3]	15.1	12.5	1250 [589.9]	7600537
RA1448AC1	R96VA0852521MSB	RCF4821MTAM	46500 [13.6]	31600 [9.3]	14900 [4.4]	14.5	12	1350 [637.1]	8083590
		RCF4821STAM	45000 [13.2]	31200 [9.1]	13800 [4.0]	14.5	12	1200 [566.3]	7492174
		RCF4824HTAM	47000 [13.8]	32200 [9.4]	14800 [4.3]	14.5	12	1350 [637.1]	7492197
		RCF4824STAM	45000 [13.2]	31200 [9.1]	13800 [4.0]	14.5	12	1200 [566.3]	7492219
RA1448AC1	R96VA1002521MSA	RCF4821MTAM	47000 [13.8]	32400 [9.5]	14600 [4.3]	14.5	12	1400 [660.7]	8083591
		RCF4821STAM	45500 [13.3]	31900 [9.3]	13600 [4.0]	14.5	12	1225 [578.1]	7492175
		RCF4824HTAM	47000 [13.8]	32000 [9.4]	15000 [4.4]	15	12.5	1325 [625.3]	7492198
		RCF4824STAM	45500 [13.3]	31900 [9.3]	13600 [4.0]	14.5	12	1225 [578.1]	7492220
RA1448AC1	R96VA1152524MSA	RCF4824HTAM	48000 [14.1]	33800 [9.9]	14200 [4.2]	15.1	12.5	1450 [684.3]	7600566
		RCF4824STAM	46500 [13.6]	34200 [10.0]	12300 [3.6]	14.5	12	1450 [684.3]	7600572
RA1448AD1	R96VA0852521MSB	RCF4821MTAM	46500 [13.6]	31600 [9.3]	14900 [4.4]	14.5	12	1350 [637.1]	8083615
		RCF4821STAM	45000 [13.2]	31200 [9.1]	13800 [4.0]	14.5	12	1200 [566.3]	7600608
		RCF4824HTAM	47000 [13.8]	32200 [9.4]	14800 [4.3]	14.5	12	1350 [637.1]	7600641
		RCF4824STAM	45000 [13.2]	31200 [9.1]	13800 [4.0]	14.5	12	1200 [566.3]	7600674
RA1448AD1	R96VA1002521MSA	RCF4821MTAM	47000 [13.8]	32400 [9.5]	14600 [4.3]	14.5	12	1400 [660.7]	8083616
		RCF4821STAM	45500 [13.3]	31900 [9.3]	13600 [4.0]	14.5	12	1225 [578.1]	7600609
		RCF4824HTAM	47000 [13.8]	32000 [9.4]	15000 [4.4]	15	12.5	1325 [625.3]	7600642
		RCF4824STAM	45500 [13.3]	31900 [9.3]	13600 [4.0]	14.5	12	1225 [578.1]	7600675

[] Designates Metric Conversions

Performance Data @ AHRI Standard Conditions – Cooling (con't.)

R96V: 96% AFUE 2-stage Variable Speed Multipoise Gas Furnace Ratings									
Outdoor Unit	Furnace	Indoor Coil	Total Capacity BTU/H [kW]	Net Sensible BTU/H [kW]	Net Latent BTU/H [kW]	SEER	EER	Indoor CFM [L/s]	AHRI#
RA1448AD1	R96VA1152524MSA	RCF4824HTAM	48000 [14.1]	33800 [9.9]	14200 [4.2]	15.1	12.5	1450 [684.3]	7600643
		RCF4824STAM	46500 [13.6]	34200 [10.0]	12300 [3.6]	14.5	12	1450 [684.3]	7600676
RA1448AJ1	R96VA0852521MSB	RCF4821MTAM	46500 [13.6]	31600 [9.3]	14900 [4.4]	14.5	12	1350 [637.1]	8083640
		RCF4821STAM	45000 [13.2]	31200 [9.1]	13800 [4.0]	14.5	12	1200 [566.3]	7492373
		RCF4824HTAM	47000 [13.8]	32200 [9.4]	14800 [4.3]	14.5	12	1350 [637.1]	7492396
		RCF4824STAM	45000 [13.2]	31200 [9.1]	13800 [4.0]	14.5	12	1200 [566.3]	7492418
RA1448AJ1	R96VA1002521MSA	RCF4821MTAM	47000 [13.8]	32400 [9.5]	14600 [4.3]	14.5	12	1400 [660.7]	8083641
		RCF4821STAM	45500 [13.3]	31900 [9.3]	13600 [4.0]	14.5	12	1225 [578.1]	7492374
		RCF4824HTAM	47000 [13.8]	32000 [9.4]	15000 [4.4]	15	12.5	1325 [625.3]	7492397
		RCF4824STAM	45500 [13.3]	31900 [9.3]	13600 [4.0]	14.5	12	1225 [578.1]	7492419
RA1448AJ1	R96VA1152524MSA	RCF4824HTAM	48000 [14.1]	33800 [9.9]	14200 [4.2]	15.1	12.5	1450 [684.3]	7600878
		RCF4824STAM	46500 [13.6]	34200 [10.0]	12300 [3.6]	14.5	12	1450 [684.3]	7600884
RA1460AC1	R96VA1152524MSA	RCF6024HTAM	57500 [16.9]	40200 [11.8]	17300 [5.1]	14.5	12	1575 [743.3]	7600911
		RCF6024STAM	57500 [16.9]	40200 [11.8]	17300 [5.1]	14.5	12	1575 [743.3]	7600917
RA1460AD1	R96VA1152524MSA	RCF6024HTAM	57500 [16.9]	40200 [11.8]	17300 [5.1]	14.5	12	1575 [743.3]	7600945
		RCF6024STAM	57500 [16.9]	40200 [11.8]	17300 [5.1]	14.5	12	1575 [743.3]	7600969
RA1460AJ1	R96VA1152524MSA	RCF6024HTAM	57500 [16.9]	40200 [11.8]	17300 [5.1]	14.5	12	1575 [743.3]	7601044
		RCF6024STAM	57500 [16.9]	40200 [11.8]	17300 [5.1]	14.5	12	1575 [743.3]	7601050

[] Designates Metric Conversions

Performance Data @ AHRI Standard Conditions – Cooling (con't.)

Air Handler Ratings								
Outdoor Unit	Air Handler	Total Capacity BTU/H [kW]	Net Sensible BTU/H [kW]	Net Latent BTU/H [kW]	SEER	EER	Indoor CFM [L/s]	AHRI#
RA1418AJ1	RF1T2421MTAN	18000 [5.3]	13600 [4.0]	4400 [1.3]	15.5	13	625 [295.0]	7884959
	RBHP-17	18000 [5.3]	11900 [3.5]	6100 [1.8]	15	12.5	600 [283.2]	7493619
	RH1P1817STAN	17900 [5.2]	13500 [4.0]	4400 [1.3]	14	11.5	600 [283.2]	7490727
	RH1T2417STAN	18000 [5.3]	13600 [4.0]	4400 [1.3]	15.5	13	600 [283.2]	7490728
	RH2T2421MTAN	18800 [5.5]	14900 [4.4]	3900 [1.1]	16	13	700 [330.4]	7490730
	RH1V2417STAN	18000 [5.3]	13700 [4.0]	4300 [1.3]	16	13	650 [306.8]	7490729
RA1424AJ1	RF1T2421MTAN	24000 [7.0]	18100 [5.3]	5900 [1.7]	14.5	12	800 [377.6]	7884962
	RBHP-17	24000 [7.0]	16100 [4.7]	7900 [2.3]	14.5	12	800 [377.6]	7493626
	RH1P2417STAN	24000 [7.0]	18100 [5.3]	5900 [1.7]	14	11.5	800 [377.6]	7490963
	RH1T2417STAN	24000 [7.0]	18100 [5.3]	5900 [1.7]	15.5	13	800 [377.6]	7490964
	RH2T2421MTAN	24000 [7.0]	16900 [5.0]	7100 [2.1]	16	13	700 [330.4]	7490966
	RH1V2417STAN	24000 [7.0]	18300 [5.4]	5700 [1.7]	15.5	13	850 [401.2]	7490965
RA1430AJ1	RF1P3024SPAN	29400 [8.6]	21500 [6.3]	7900 [2.3]	14	11.5	900 [424.8]	7885893
	RF1T3624MTAN	30000 [8.8]	22700 [6.7]	7300 [2.1]	16	13	1025 [483.7]	7884965
	RBHP-21	29800 [8.7]	20400 [6.0]	9400 [2.8]	16	13	1000 [471.9]	7493633
	RH1P3017STAN	28600 [8.4]	21400 [6.3]	7200 [2.1]	14	11.5	950 [448.4]	7491225
	RH1T3617STAN	29400 [8.6]	22400 [6.6]	7000 [2.1]	15.5	13	1000 [471.9]	7491226
	RH1T3621HTAN	30000 [8.8]	22700 [6.7]	7300 [2.1]	16	13	1000 [471.9]	8083413
	RH1T3621MTAN	31600 [9.3]	24100 [7.1]	7500 [2.2]	16	13	1175 [554.5]	7491227
	RH1V3617STAN	29200 [8.6]	22200 [6.5]	7000 [2.1]	15	12.5	1025 [483.7]	7491228
	RH1V3621HTAN	30000 [8.8]	22700 [6.7]	7300 [2.1]	16	13	1000 [471.9]	8083414
	RH1V3621MTAN	30000 [8.8]	21900 [6.4]	8100 [2.4]	16	13	1000 [471.9]	7491229
	RH2V3624HTAC	32400 [9.5]	24600 [7.2]	7800 [2.3]	16	13	1200 [566.3]	7491230
RA1436AC1	RF1P3624SPAN	36000 [10.6]	25900 [7.6]	10100 [3.0]	14	11.5	1100 [519.1]	7884968
	RF1P3624STAN	36000 [10.6]	25900 [7.6]	10100 [3.0]	14	11.5	1100 [519.1]	7884971
	RF1T3624MTAN	36000 [10.6]	25900 [7.6]	10100 [3.0]	15.5	13	1025 [483.7]	7884974
	RBHP-21	36000 [10.6]	24300 [7.1]	11700 [3.4]	15.5	13	1200 [566.3]	7493638
	RH1P3017STAN	33800 [9.9]	23800 [7.0]	10000 [2.9]	14	11.5	950 [448.4]	7491515
	RH1P3617STAN	34000 [10.0]	25200 [7.4]	8800 [2.6]	14	11.5	1150 [542.7]	7499139
	RH1T3617STAN	34600 [10.1]	24800 [7.3]	9800 [2.9]	15.5	13	1000 [471.9]	7491516
	RH1T3621HTAN	36000 [10.6]	25900 [7.6]	10100 [3.0]	16	13	1200 [566.3]	8083439
	RH1T3621MTAN	36000 [10.6]	25400 [7.4]	10600 [3.1]	16	13	1175 [554.5]	7491517
	RH1V3617STAN	34800 [10.2]	25100 [7.4]	9700 [2.8]	15	12.5	1025 [483.7]	7491518
	RH1V3621HTAN	36000 [10.6]	25900 [7.6]	10100 [3.0]	16	13	1200 [566.3]	8083440
	RH1V3621MTAN	36000 [10.6]	25500 [7.5]	10500 [3.1]	16	13	1200 [566.3]	7491519
	RH2V3624HTAC	36000 [10.6]	25300 [7.4]	10700 [3.1]	16	13	1200 [566.3]	7491520
RA1436AD1	RF1P3624SPAN	36000 [10.6]	25900 [7.6]	10100 [3.0]	14	11.5	1100 [519.1]	7884977
	RF1P3624STAN	36000 [10.6]	25900 [7.6]	10100 [3.0]	14	11.5	1100 [519.1]	7884980
	RF1T3624MTAN	36000 [10.6]	25900 [7.6]	10100 [3.0]	15.5	13	1025 [483.7]	7884982
	RBHP-21	36000 [10.6]	24300 [7.1]	11700 [3.4]	15.5	13	1200 [566.3]	7599733
	RH1P3017STAN	33800 [9.9]	23800 [7.0]	10000 [2.9]	14	11.5	950 [448.4]	7600153
	RH1P3617STAN	34000 [10.0]	25200 [7.4]	8800 [2.6]	14	11.5	1150 [542.7]	7600154
	RH1T3617STAN	34600 [10.1]	24800 [7.3]	9800 [2.9]	15.5	13	1000 [471.9]	7600155
	RH1T3621HTAN	36000 [10.6]	25900 [7.6]	10100 [3.0]	16	13	1200 [566.3]	8083465
	RH1T3621MTAN	36000 [10.6]	25400 [7.4]	10600 [3.1]	16	13	1175 [554.5]	7600156
	RH1V3617STAN	34800 [10.2]	25100 [7.4]	9700 [2.8]	15	12.5	1025 [483.7]	7600157
	RH1V3621HTAN	36000 [10.6]	25900 [7.6]	10100 [3.0]	16	13	1200 [566.3]	8083466
	RH1V3621MTAN	36000 [10.6]	25500 [7.5]	10500 [3.1]	16	13	1200 [566.3]	7600158
	RH2V3624HTAC	36000 [10.6]	25300 [7.4]	10700 [3.1]	16	13	1200 [566.3]	7600159

[] Designates Metric Conversions

Performance Data @ AHRI Standard Conditions – Cooling (con't.)

Air Handler Ratings								
Outdoor Unit	Air Handler	Total Capacity BTU/H [kW]	Net Sensible BTU/H [kW]	Net Latent BTU/H [kW]	SEER	EER	Indoor CFM [L/s]	AHRI#
RA1436AJ1	RF1P3624SPAN	36000 [10.6]	25900 [7.6]	10100 [3.0]	14	11.5	1100 [519.1]	7884985
	RF1P3624STAN	36000 [10.6]	25900 [7.6]	10100 [3.0]	14	11.5	1100 [519.1]	7884987
	RF1T3624MTAN	36000 [10.6]	25900 [7.6]	10100 [3.0]	15.5	13	1025 [483.7]	7884989
	RBHP-21	36000 [10.6]	24300 [7.1]	11700 [3.4]	15.5	13	1200 [566.3]	7493646
	RH1P3017STAN	33800 [9.9]	23800 [7.0]	10000 [2.9]	14	11.5	950 [448.4]	7491806
	RH1P3617STAN	34000 [10.0]	25200 [7.4]	8800 [2.6]	14	11.5	1150 [542.7]	7499174
	RH1T3617STAN	34600 [10.1]	24800 [7.3]	9800 [2.9]	15.5	13	1000 [471.9]	7491807
	RH1T3621HTAN	36000 [10.6]	25900 [7.6]	10100 [3.0]	16	13	1200 [566.3]	8083491
	RH1T3621MTAN	36000 [10.6]	25400 [7.4]	10600 [3.1]	16	13	1175 [554.5]	7491808
	RH1V3617STAN	34800 [10.2]	25100 [7.4]	9700 [2.8]	15	12.5	1025 [483.7]	7491809
	RH1V3621HTAN	36000 [10.6]	25900 [7.6]	10100 [3.0]	16	13	1200 [566.3]	8083492
	RH1V3621MTAN	36000 [10.6]	25500 [7.5]	10500 [3.1]	16	13	1200 [566.3]	7491810
	RH2V3624HTAC	36000 [10.6]	25300 [7.4]	10700 [3.1]	16	13	1200 [566.3]	7491811
RA1442AC1	RBHP-24	42000 [12.3]	28100 [8.2]	13900 [4.1]	15.5	13	1400 [660.7]	7493654
	RH1P4221STAN	41500 [12.2]	31400 [9.2]	10100 [3.0]	14	11.5	1425 [672.5]	7499199
	RH1T4821MTAN	42000 [12.3]	31600 [9.3]	10400 [3.0]	15.5	13	1400 [660.7]	8083519
	RH1T4821STAN	42000 [12.3]	31500 [9.2]	10500 [3.1]	15	12.5	1400 [660.7]	7491986
	RH1T4824STAN	42000 [12.3]	32500 [9.5]	9500 [2.8]	15	12.5	1550 [731.5]	7491987
	RH2T4824MTAN	42000 [12.3]	29500 [8.6]	12500 [3.7]	16	13	1400 [660.7]	7491989
	RH1V4821MTAN	42000 [12.3]	31600 [9.3]	10400 [3.0]	15	12.5	1425 [672.5]	8083520
	RH1V4821STAN	42000 [12.3]	31500 [9.2]	10500 [3.1]	15	12.5	1400 [660.7]	7491988
RA1442AD1	RBHP-24	42000 [12.3]	28100 [8.2]	13900 [4.1]	15.5	13	1400 [660.7]	7600272
	RH1P4221STAN	41500 [12.2]	31400 [9.2]	10100 [3.0]	14	11.5	1425 [672.5]	7600509
	RH1T4821MTAN	42000 [12.3]	31600 [9.3]	10400 [3.0]	15.5	13	1400 [660.7]	8083548
	RH1T4821STAN	42000 [12.3]	31500 [9.2]	10500 [3.1]	15	12.5	1400 [660.7]	7600510
	RH1T4824STAN	42000 [12.3]	32500 [9.5]	9500 [2.8]	15	12.5	1550 [731.5]	7600511
	RH2T4824MTAN	42000 [12.3]	29500 [8.6]	12500 [3.7]	16	13	1400 [660.7]	7600513
	RH1V4821MTAN	42000 [12.3]	31600 [9.3]	10400 [3.0]	15	12.5	1425 [672.5]	8083549
	RH1V4821STAN	42000 [12.3]	31500 [9.2]	10500 [3.1]	15	12.5	1400 [660.7]	7600512
RA1442AJ1	RBHP-24	42000 [12.3]	28100 [8.2]	13900 [4.1]	15.5	13	1400 [660.7]	7493657
	RH1P4221STAN	41500 [12.2]	31400 [9.2]	10100 [3.0]	14	11.5	1425 [672.5]	7499224
	RH1T4821MTAN	42000 [12.3]	31600 [9.3]	10400 [3.0]	15.5	13	1400 [660.7]	8083578
	RH1T4821STAN	42000 [12.3]	31500 [9.2]	10500 [3.1]	15	12.5	1400 [660.7]	7492161
	RH1T4824STAN	42000 [12.3]	32500 [9.5]	9500 [2.8]	15	12.5	1550 [731.5]	7492162
	RH2T4824MTAN	42000 [12.3]	29500 [8.6]	12500 [3.7]	16	13	1400 [660.7]	7492164
	RH1V4821MTAN	42000 [12.3]	31600 [9.3]	10400 [3.0]	15	12.5	1425 [672.5]	8083579
	RH1V4821STAN	42000 [12.3]	31500 [9.2]	10500 [3.1]	15	12.5	1400 [660.7]	7492163
RA1448AC1	RH2V4824HTAC	44500 [13.0]	33300 [9.8]	11200 [3.3]	15.5	13	1600 [755.1]	7492165
	RBHP-24	45500 [13.3]	29600 [8.7]	15900 [4.7]	15	12.5	1400 [660.7]	7493660
	RH1P4821STAN	45500 [13.3]	34000 [10.0]	11500 [3.4]	14	11.7	1575 [743.3]	7600593
	RH1T4821MTAN	47000 [13.8]	32400 [9.5]	14600 [4.3]	15	12.5	1400 [660.7]	8083602
	RH1T4821STAN	47000 [13.8]	35600 [10.4]	11400 [3.3]	14.5	12	1575 [743.3]	7492359
	RH1T4824STAN	47000 [13.8]	35400 [10.4]	11600 [3.4]	15	12.5	1550 [731.5]	7492360
	RH2T4824MTAN	48000 [14.1]	33500 [9.8]	14500 [4.2]	15.5	13	1400 [660.7]	7492363
	RH1V4821MTAN	47500 [13.9]	33000 [9.7]	14500 [4.2]	15	12.5	1425 [672.5]	8083604
	RH1V4821STAN	46000 [13.5]	33400 [9.8]	12600 [3.7]	14.5	12	1400 [660.7]	7492361
RH1V4824STAN	47500 [13.9]	36400 [10.7]	11100 [3.3]	14.5	12	1625 [766.9]	7492362	
RH2V4824HTAC	48000 [14.1]	34800 [10.2]	13200 [3.9]	15	12.5	1600 [755.1]	7492364	

[] Designates Metric Conversions

Performance Data @ AHRI Standard Conditions – Cooling (con't.)

Air Handler Ratings								
Outdoor Unit	Air Handler	Total Capacity BTU/H [kW]	Net Sensible BTU/H [kW]	Net Latent BTU/H [kW]	SEER	EER	Indoor CFM [L/s]	AHRI#
RA1448AD1	RBHP-24	45500 [13.3]	29600 [8.7]	15900 [4.7]	15	12.5	1400 [660.7]	7600594
	RH1P4821STAN	45500 [13.3]	34000 [10.0]	11500 [3.4]	14	11.7	1575 [743.3]	7600852
	RH1T4821MTAN	47000 [13.8]	32400 [9.5]	14600 [4.3]	15	12.5	1400 [660.7]	8083626
	RH1T4821STAN	47000 [13.8]	35600 [10.4]	11400 [3.3]	14.5	12	1575 [743.3]	7600853
	RH1T4824STAN	47000 [13.8]	35400 [10.4]	11600 [3.4]	15	12.5	1550 [731.5]	7600854
	RH2T4824MTAN	48000 [14.1]	33500 [9.8]	14500 [4.2]	15.5	13	1400 [660.7]	7600857
	RH1V4821MTAN	47500 [13.9]	33000 [9.7]	14500 [4.2]	15	12.5	1425 [672.5]	8083627
	RH1V4821STAN	46000 [13.5]	33400 [9.8]	12600 [3.7]	14.5	12	1400 [660.7]	7600855
	RH1V4824STAN	47500 [13.9]	36400 [10.7]	11100 [3.3]	14.5	12	1625 [766.9]	7600856
RA1448AJ1	RH2V4824HTAC	48000 [14.1]	34800 [10.2]	13200 [3.9]	15	12.5	1600 [755.1]	7600858
	RBHP-24	45500 [13.3]	29600 [8.7]	15900 [4.7]	15	12.5	1400 [660.7]	7493661
	RH1P4821STAN	45500 [13.3]	34000 [10.0]	11500 [3.4]	14	11.7	1575 [743.3]	7600905
	RH1T4821MTAN	47000 [13.8]	32400 [9.5]	14600 [4.3]	15	12.5	1400 [660.7]	8083650
	RH1T4821STAN	47000 [13.8]	35600 [10.4]	11400 [3.3]	14.5	12	1575 [743.3]	7492558
	RH1T4824STAN	47000 [13.8]	35400 [10.4]	11600 [3.4]	15	12.5	1550 [731.5]	7492559
	RH2T4824MTAN	48000 [14.1]	33500 [9.8]	14500 [4.2]	15.5	13	1400 [660.7]	7492562
	RH1V4821MTAN	47500 [13.9]	33000 [9.7]	14500 [4.2]	15	12.5	1425 [672.5]	8083653
	RH1V4821STAN	46000 [13.5]	33400 [9.8]	12600 [3.7]	14.5	12	1400 [660.7]	7492560
RA1460AC1	RH1V4824STAN	47500 [13.9]	36400 [10.7]	11100 [3.3]	14.5	12	1625 [766.9]	7492561
	RH2V4824HTAC	48000 [14.1]	34800 [10.2]	13200 [3.9]	15	12.5	1600 [755.1]	7492563
	RH1T6021STAN	56000 [16.4]	37600 [11.0]	18400 [5.4]	14	11.5	1575 [743.3]	8083666
	RH1T6024STAN	58000 [17.0]	41100 [12.0]	16900 [5.0]	14.5	12	1600 [755.1]	7492617
	RH2T6024STAN	57500 [16.9]	40600 [11.9]	16900 [5.0]	14.5	12	1600 [755.1]	7492619
RA1460AD1	RH1V6021STAN	56000 [16.4]	37600 [11.0]	18400 [5.4]	14	11.5	1600 [755.1]	8083667
	RH1V6024STAN	59000 [17.3]	43700 [12.8]	15300 [4.5]	14.5	12	1800 [849.5]	7492618
	RH1T6021STAN	56000 [16.4]	37600 [11.0]	18400 [5.4]	14	11.5	1575 [743.3]	8083680
	RH1T6024STAN	58000 [17.0]	41100 [12.0]	16900 [5.0]	14.5	12	1600 [755.1]	7601031
	RH2T6024STAN	57500 [16.9]	40600 [11.9]	16900 [5.0]	14.5	12	1600 [755.1]	7601033
RA1460AJ1	RH1V6021STAN	56000 [16.4]	37600 [11.0]	18400 [5.4]	14	11.5	1600 [755.1]	8083681
	RH1V6024STAN	59000 [17.3]	43700 [12.8]	15300 [4.5]	14.5	12	1800 [849.5]	7601032
	RH1T6021STAN	56000 [16.4]	37600 [11.0]	18400 [5.4]	14	11.5	1575 [743.3]	8083693
	RH1T6024STAN	58000 [17.0]	41100 [12.0]	16900 [5.0]	14.5	12	1600 [755.1]	7492673
	RH2T6024STAN	57500 [16.9]	40600 [11.9]	16900 [5.0]	14.5	12	1600 [755.1]	7492675
RA1460AJ1	RH1V6021STAN	56000 [16.4]	37600 [11.0]	18400 [5.4]	14	11.5	1600 [755.1]	8083695
	RH1V6024STAN	59000 [17.3]	43700 [12.8]	15300 [4.5]	14.5	12	1800 [849.5]	7492674

[] Designates Metric Conversions

GUIDE SPECIFICATIONS

General

System Description

Outdoor-mounted, air-cooled, split-system air conditioner composite base pan unit suitable for ground or rooftop installation. Unit consists of a hermetic compressor, an air-cooled coil, propeller-type condenser fan, suction and legend line service valve, and a control box. Unit will discharge supply air upward as shown on contract drawings. Unit will be used in a refrigeration circuit to match up to a coil unit.

Quality Assurance

- Unit will be rated in accordance with the latest edition of AHRI Standard 210.
- Unit will be certified for capacity and efficiency, and listed in the latest AHRI directory.
- Unit construction will comply with latest edition of ANSI/ASHRAE and with NEC.
- Unit will be constructed in accordance with UL standards and will carry the UL label of approval. Unit will have c-UL-us approval.
- Unit cabinet will be capable of withstanding ASTM B117 1000-hr salt spray test.
- Air-cooled condenser coils will be leak tested at 150 psig and pressure tested at 550 psig.
- Unit constructed in ISO9001 approved facility.

Delivery, Storage, and Handling

- Unit will be shipped as single package only and is stored and handled per unit manufacturer's recommendations.

Warranty (for inclusion by specifying engineer) — U.S. and Canada only.

Products

Equipment

Factory assembled, single piece, air-cooled air conditioner unit. Contained within the unit enclosure is all factory wiring, piping, controls, compressor, refrigerant charge R-410A, and special features required prior to field start-up.

Unit Cabinet

- Unit cabinet will be constructed of galvanized steel, bonderized, and coated with a powder coat paint.
- All units constructed with louver coil protection and corner post. Louver can be removed by removing one fastener per louver panel.

AIR-COOLED, SPLIT-SYSTEM AIR CONDITIONER

RA14

1-1/2 TO 5 NOMINAL TONS

Fans

- Condenser fan will be direct-drive propeller type, discharging air upward.
- Condenser fan motors will be totally enclosed, 1-phase type with class B insulation and permanently lubricated bearings. Shafts will be corrosion resistant.
- Fan blades will be statically and dynamically balanced.
- Condenser fan openings will be equipped with coated steel wire safety guards.

Compressor

- Compressor will be hermetically sealed.
- Compressor will be mounted on rubber vibration isolators.

Condenser Coil

- Condenser coil will be air cooled.
- Coil will be constructed of aluminum fins mechanically bonded to copper tubes.

Refrigeration Components

- Refrigeration circuit components will include liquid-line shutoff valve with sweat connections, vapor-line shutoff valve with sweat connections, system charge of R-410A refrigerant, and compressor oil.
- Unit will be equipped with filter drier for R-410A refrigerant for field installation.

Operating Characteristics

- The capacity of the unit will meet or exceed _____ Btuh at a suction temperature of _____ °F/°C. The power consumption at full load will not exceed _____ kW.
- Combination of the unit and the evaporator or fan coil unit will have a total net cooling capacity of _____ Btuh or greater at conditions of _____ CFM entering air temperature at the evaporator at _____ °F/°C wet bulb and _____ °F/°C dry bulb, and air entering the unit at _____ °F/°C.
- The system will have a SEER of _____ Btuh/watt or greater at DOE conditions.

Electrical Requirements

- Nominal unit electrical characteristics will be _____ v, single phase, 60 hz. The unit will be capable of satisfactory operation within voltage limits of _____ v to _____ v.
- Nominal unit electrical characteristics will be _____ v, three phase, 60 hz. The unit will be capable of satisfactory operation within voltage limits of _____ v to _____ v.
- Unit electrical power will be single point connection.
- Control circuit will be 24v.

Special Features

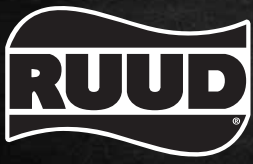
- Refer to section of this literature identifying accessories and descriptions for specific features and available enhancements.

GENERAL TERMS OF LIMITED WARRANTY*

Ruud will furnish a replacement for any part of this product which fails in normal use and service within the applicable period stated, in accordance with the terms of the limited warranty.

*For complete details of the Limited and Conditional Warranties, including applicable terms and conditions, contact your local contractor or the Manufacturer for a copy of the product warranty certificate.

Conditional Parts
(Registration Required)Ten (10) Years



In keeping with its policy of continuous progress and product improvement, Ruud reserves the right to make changes without notice.

Ruud Heating, Cooling & Water Heating • P.O. Box 17010
Fort Smith, Arkansas 72917 • www.ruud.com

Ruud Canada • 125 Edgeware Road, Unit 1
Brampton, Ontario • L6Y 0P5

RELY ON RUUD.™