

Get up and running in record time



The quickest install designed with ease in mind.

The ZG-JSL linkage is designed to facilitate the attachment of select Belimo actuators to a damper's jackshaft. The unique open ended design allows the linkage to clamp on to any part of a jackshaft measuring from 1/2" to 1.05" in diameter.

Saves time and cost

The ZG-JSL linkage simplifies typical installations and eliminates the difficulties where jackshaft bearings are hard to access. By improving the method of installing actuators onto jackshafts, the installer saves on installation time translating into a cost savings. The quicker the install, the sooner the installer can move on to the next project. Now with the ZG-JSL linkage all jackshaft installations will only take minutes!

Ideal for tight spaces

The ZG-JSL linkage has a built-in shaft which allows the direct coupling of Belimo actuators. The anti-rotation plate enables the installed actuator to be rotated 90 degrees for space saving applications.

A Closer Look.

Universal clamp

Designed to accommodate 1/2" to 1" shafts.

Linkage anti-rotation bracket

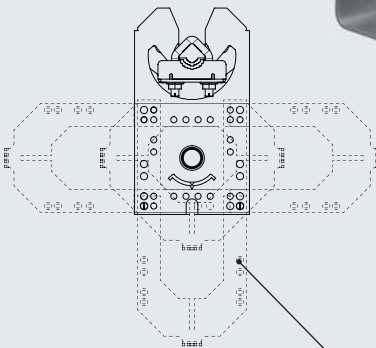
Keeps linkage in position and can be rotated on the bearing bracket.

Bearing Sleeve

For use with GM, GK and EF actuators on a 3/4" shaft.

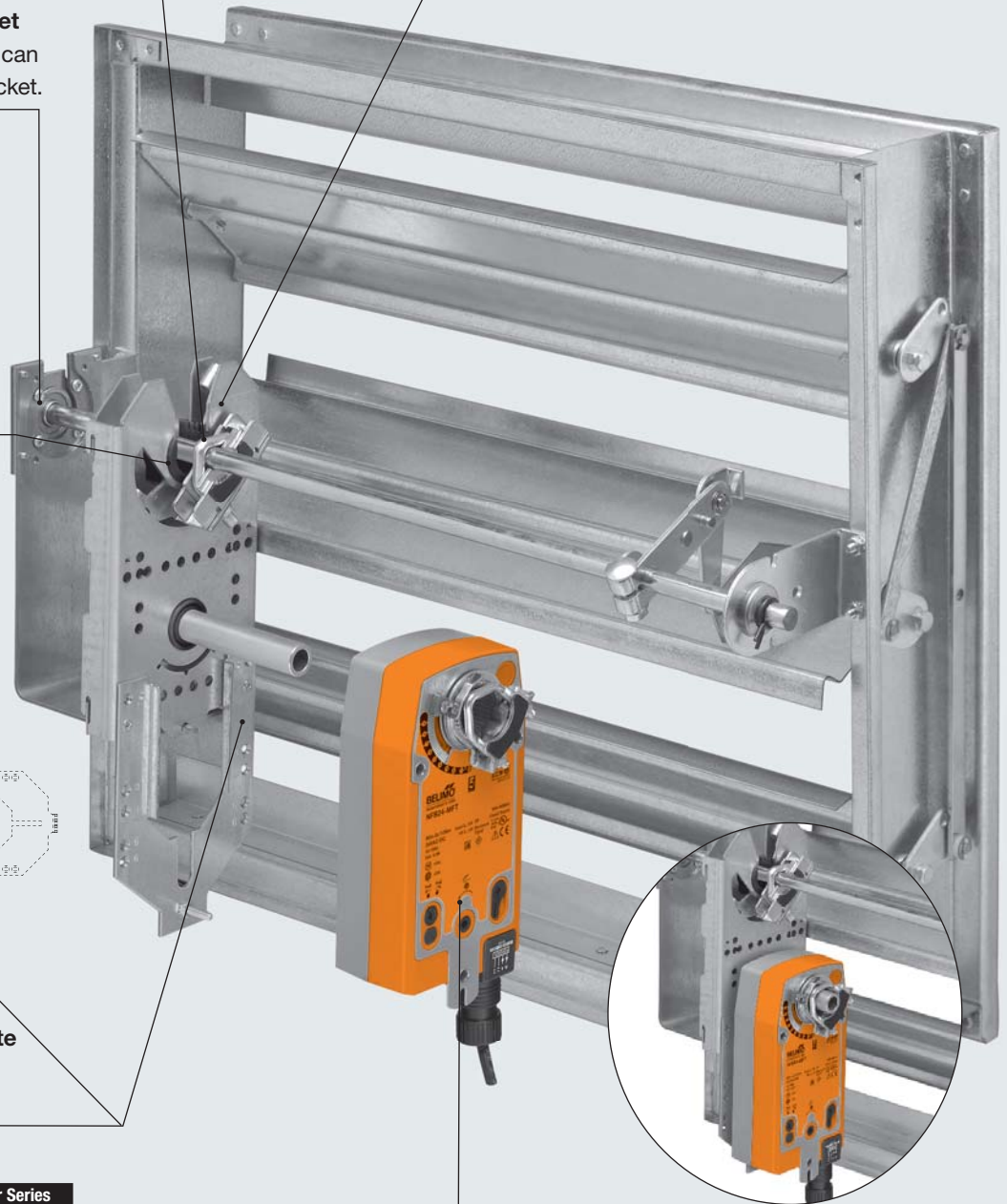
Open end design

Allows the ZG-JSL to fasten to any jackshaft from 1/2" to 1.05" in diameter.



Adjustable anti-rotation plate

Mounting plate for a variety of Belimo actuators



Factory mounted actuator option (ZG-JSLA)

Belimo will factory mount their actuators saving you time and money.

Hole Designation #	Belimo Actuator Series
1	EF Series*
1	Classic AF Series
2	AF / NF Series
3	GM/GK Series**
4	LF Series***
5	AM Series
6	NM Series

* ZG-121 adapter must be used with EF.

** GM/GK not for use with 1/2" shafts.

*** K6-1 clamp must be used with LF.

A Wide Variety of Actuator Options.

	Actuator Series	Product Range	Torque	Control Input	Feedback	Power Supply	VA Rating
Spring Return Actuators	AF...	ZG-JSLA + AFX24	166 in-lbs	On/Off	–	24 VAC/DC	7.5
		ZG-JSLA + AFX24-S	166 in-lbs	On/Off	–	24 VAC/DC	7.5
		ZG-JSLA + AFX24-SR	166 in-lbs	2-10 VDC	2-10 VDC	24 VAC/DC	8.5
		ZG-JSLA + AFX24-SR-S	166 in-lbs	2-10 VDC	2-10 VDC	24 VAC/DC	8.5
		ZG-JSLA + AFXUP	166 in-lbs	On/Off	–	24-240 VAC / 24-125 VDC	8.5
		ZG-JSLA + AFXUP-S	166 in-lbs	On/Off	–	24-240 VAC / 24-125 VDC	8.5
		ZG-JSLA + AFX24-MFT	166 in-lbs	Variable with MFT	Variable VDC	24 VAC/DC	10
		ZG-JSLA + AFX24-MFT-S	166 in-lb	Variable with MFT	Variable VDC	24 VAC/DC	10
		ZG-JSLA + AFX24-MFT95	166 in-lbs	0 to 135 ohm	Variable VDC	24 VAC/DC	10
	NF...	ZG-JSLA + NFX24	87 in-lbs	On/Off	–	24 VAC/DC	8.5
		ZG-JSLA + NFX24-S	87 in-lbs	On/Off	–	24 VAC/DC	8.5
		ZG-JSLA + NFX24-SR	87 in-lbs	2-10 VDC	2-10 VDC	24 VAC/DC	6
		ZG-JSLA + NFX24-SR-S	87 in-lbs	2-10 VDC	2-10 VDC	24 VAC/DC	6
		ZG-JSLA + NFXUP	87 in-lbs	On/Off	–	24-240 VAC / 24-125 VDC	8.5
		ZG-JSLA + NFXUP-S	87 in-lbs	On/Off	–	24-240 VAC / 24-125 VDC	8.5
		ZG-JSLA + NFX24-MFT	87 in-lbs	Variable with MFT	Variable VDC	24 VAC/DC	9
		ZG-JSLA + NFX24-MFT-S	87 in-lbs	Variable with MFT	Variable VDC	24 VAC/DC	9
		LF...	ZG-JSLA + LF24 US	33 in-lbs	On/Off	–	24 VAC/DC
	ZG-JSLA + LF24-S US		33 in-lbs	On/Off	–	24 VAC/DC	7
	ZG-JSLA + LF120 US		33 in-lbs	On/Off	–	120 VAC	7.5
	ZG-JSLA + LF120-S US		33 in-lbs	On/Off	–	120 VAC	7.5
	ZG-JSLA + LF24-SR US		33 in-lbs	2-10 VDC	2-10 VDC	24 VAC/DC	5
	ZG-JSLA + LF24-SR-S US		33 in-lbs	2-10 VDC	2-10 VDC	24 VAC/DC	5
	ZG-JSLA + LF24-3 US		33 in-lbs	On/Off, Floating Point	–	24 VAC/DC	5
ZG-JSLA + LF24-MFT US	33 in-lbs		Variable with MFT	Variable VDC	24 VAC/DC	5	
ZG-JSLA + LF24-MFT-S US	33 in-lbs		Variable with MFT	Variable VDC	24 VAC/DC	5	
Non-Spring Return Actuators	AM...	ZG-JSLA + AMX24-3	166 in-lbs	On/Off, Floating Point	Add-on	24 VAC/DC	5.5
		ZG-JSLA + AMX24-3-T	166 in-lbs	On/Off, Floating Point	Add-on	24 VAC/DC	5.5
		ZG-JSLA + AMX24-3-S	166 in-lbs	On/Off, Floating Point	Add-on	24 VAC/DC	5.5
		ZG-JSLA + AMX24-SR	166 in-lbs	2-10 VDC	2-10 VDC	24 VAC/DC	5
		ZG-JSLA + AMX24-PC	166 in-lbs	0-20 V Phasecut	2-10 VDC	24 VAC/DC	6
		ZG-JSLA + AMX120-3	166 in-lbs	On/Off, Floating Point	Add-on	120 VAC	7
		ZG-JSLA + AMX120-SR	166 in-lbs	2-10 VDC	2-10 VDC	120 VAC	7
		ZG-JSLA + AMX24-MFT	166 in-lbs	Variable with MFT	Variable VDC	24 VAC/DC	6
		ZG-JSLA + AMX24-MFT95	166 in-lbs	0 to 135 ohm	Variable VDC	24 VAC/DC	6
	NM...	ZG-JSLA + NMX24-3	87 in-lbs	On/Off, Floating Point	Add-on	24 VAC/DC	4
		ZG-JSLA + NMX24-3-T	87 in-lbs	On/Off, Floating Point	Add-on	24 VAC/DC	4
		ZG-JSLA + NMX24-SR	87 in-lbs	2-10 VDC	2-10 VDC	24 VAC/DC	5
		ZG-JSLA + NMX24-SR-T	87 in-lbs	2-10 VDC	2-10 VDC	24 VAC/DC	5
		ZG-JSLA + NMX24-PC	87 in-lbs	0-20 V Phasecut	2-10 VDC	24 VAC/DC	6
		ZG-JSLA + NMX120-3	87 in-lbs	On/Off, Floating Point	Add-on	120 VAC	5.5
		ZG-JSLA + NMX120-SR	87 in-lbs	2-10 VDC	2-10 VDC	120 VAC	6.5
		ZG-JSLA + NMX24-MFT95	87 in-lbs	0-20 V Phasecut	2-10 VDC	24 VAC/DC	6
		ZG-JSLA + NMX24-MFT	87 in-lbs	Variable with MFT	Variable VDC	24 VAC/DC	6
		ZG-JSLA + NMX24-MFT	87 in-lbs	Variable with MFT	Variable VDC	24 VAC/DC	6

ZG-JSL Technical Data

Weight 3.25 lbs.

Material galvanized steel

Operation

The ZG-JSL linkage transfers actuator torque to the jackshaft. There is a torque reduction when using the ZG-JSL linkage with the following actuators. Ensure application requirements before ordering. Order the actuator and linkage assembled at the factory and save on cost with the ZG-JSLA option.

Pricing

The ZG-JSL linkage can be purchased as an accessory for a list price of \$250.00. Belimo can factory mount the ZG-JSL to any of the actuators shown for a list price of \$200.00 plus the cost of the actuator.

5-Year warranty on ZG-JSL linkage when used with a Belimo actuator only.

Ordering example for ZG-JSL linkage assembled with AMX24-3 actuator:

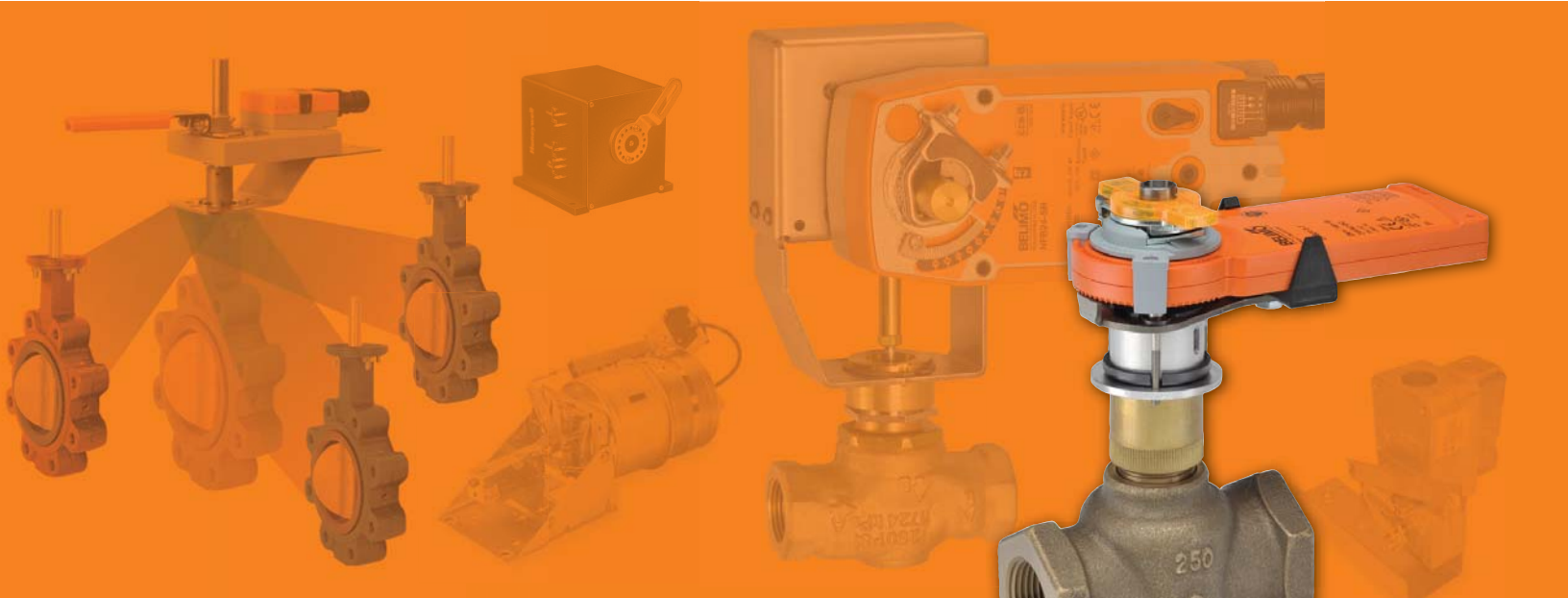
ZG-JSLA+AMX24-3.



	Actuator Series	Product Range	Torque	Control Input	Feedback VAC	Power Supply	VA Rating
Actuators sold separately	EF*.. Spring Return	ZG-JSL sold separately	239 in-lbs	Various	Various	24 & 120 options	Varies by model
	GK*.. Electronic Fail-Safe	ZG-JSL sold separately	288 in-lbs	Various	Various	24 & 120 options	Varies by model
	GM*.. Non-Spring Return	ZG-JSL sold separately	288 in-lbs	Various	Various	24 & 120 options	Varies by model

* With the use of 3/4" bearing sleeve.

Retrofit Solutions for valves and damper actuators which increase the quality and reliability of your entire system.



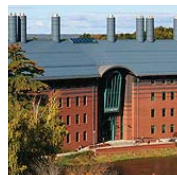
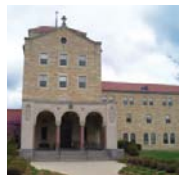
Discover Belimo's Retrofit Resource Team dedicated to offering you options, support and guidance.

Belimo has a dedicated team of retrofit professionals to provide you the guidance and resource for getting the most from your HVAC system. If you are experiencing broken or outdated actuators, valves that are not performing or are causing unnecessary energy consumption; Belimo's dedicated retrofit team can help you.

Belimo has a complete in-house machine shop with the ability to fabricate custom linkages for valve automation. Product mediums include stainless steel, cold rolled steel or brass. With our machining capabilities and our retrofit team we can design and create custom retrofit linkage solutions for your existing valves, regardless of the manufacturer.

Belimo actuators and valves lead the industry in cutting-edge technology and value. Whether electronic or pneumatic, there is a simple way to retrofit.

Belimo Retrofit Installations:



Valve Retrofit, Yale, Kroon Hall, New Haven, CT
Valve Retrofit, Aetna, Denver, CO
Valve Retrofit, Assisi Heights, Sisters of St. Francis Rochester, MN
Actuator Retrofit, New York Times, New York City, NY
Actuator Retrofit, University of Connecticut (UCONN), Storrs, CT

Belimo worldwide: www.belimo.com

BELIMO Americas

USA Locations, 43 Old Ridgebury Road, Danbury, CT 06810
Tel. 800-543-9038, Fax 800-228-8283, marketing@us.belimo.com

1049 Fortunato Loop, Sparks, NV 89436
Tel: (800) 987-9042, Tel: (775) 857-4243, Fax: (800) 987-8875

Canada Locations, 5845 Kennedy Road, Mississauga, Ontario L4Z 2G3
Tel. 866-805-7089, Fax 905-712-3124, marketing@us.belimo.com

Latin America & The Caribbean Customer Service, Tel. 203-791-8396, Fax 203-791-9139, marketing@us.belimo.com

UGSL1200 Linkage
for Siemens® 599

Replacement solutions are available for Siemens®, Johnson Controls®, Honeywell®, Invensys®, Robertshaw®, Siebe, Barber Colman®, Landis®, Powers®, Warren®, Apollo®, Bray®, Centerline®, Challenger®, Chemtrol®, Dezurik®, Flowseal®, FNW®, Gruvlok®, Hammond®, Keystone®, K-LOK®, Metraflex®, Milwaukee®, Mueller®, Nibco®, PDC®, Quartermaster®, Victaulic®, Watts® and many more.

RETROFIT®

BELIMO®